

XCC2510SPA81KGN

absolute encoder Ø58 stainless steel - single turn - solid shaft 10mm - PP Gray



Main

Range of product	OsiSense XCC
Encoder type	Single turn absolute encoder
Encoder name	XCC
Product specific application	Food and beverage
Diameter	58 mm
Shaft diameter	10 mm
Shaft type	Solid shaft
Resolution	8192 points
Electrical connection	Cable axial shielded
Cable length	2 m
Cable insulation material	TPU
Output stage	Type KG
Type of output stage	Driver push-pull gray
[Us] rated supply voltage	5...30 V DC
Enclosure material	Stainless steel 316 L

Complementary

Shaft tolerance	G6
Residual ripple	0...500 mV
Supply voltage limits	5...30 V
Maximum revolution speed	3000 rpm
Shaft moment of inertia	12 g.cm ²
Torque value	0.09 N.m
Maximum load	50 daN radial 25 daN axial
Output frequency	100 kHz
Current consumption	0...100 mA no-load
Protection type	Reverse polarity protection Short-circuit protection
Maximum output current	20 mA
Output level	High level: 2.5 V minimum Low level: 0.5 V maximum 20 mA
Surge withstand	1 kV level 2 IEC 61000-4-5
Base material	Stainless steel 316 L
Shaft material	Stainless steel 316 L
Type of ball bearings	6000
Product weight	0.915 kg

Environment

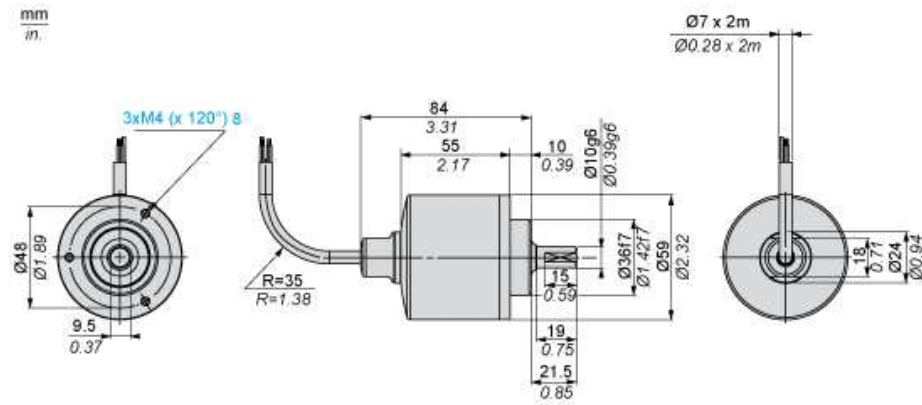
Marking	CE
Ambient air temperature for operation	-20...90 °C
Ambient air temperature for storage	-40...100 °C
IP degree of protection	IP69K IEC 60529 IP68 IEC 60529
Vibration resistance	10 gn (55...2000 Hz) IEC 60068-2-6
Shock resistance	30 gn (11 ms) IEC 60068-2-27

Resistance to electrostatic discharge	8 kV air discharge level 3 IEC 61000-4-2 4 kV contact discharge level 3 IEC 61000-4-2
Resistance to electromagnetic fields	10 V/m level 3 IEC 61000-4-3
Resistance to fast transients	2 kV power ports level 3 IEC 61000-4-4 1 kV signal ports level 3 IEC 61000-4-4

Offer Sustainability

Sustainable offer status	Not Green Premium product
RoHS (date code: YYWW)	Compliant - since 1203 - Schneider Electric declaration of conformity
REACH	Reference not containing SVHC above the threshold


Dimensions





R : Minimum bend radius = 35 mm

Wiring Diagram

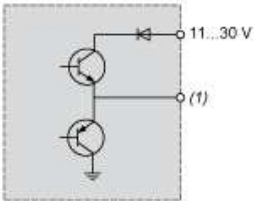
Cable Version Encoders

Wire colour	WH White	BN Brown	GN Green	YE Yellow	GY Grey	OG Orange	BU Blue	RD Red
Signal Supply	0 V	+V	d0	d1	d2	d3	d4	d5
Wire colour	BK Black	VT Violet	WH/BN White/brown	WH/GN White/green	WH/YE White/yellow	WH/BK White/black	WH/OG White/ orange	WH/RD White/red
Signal Supply	d6	d7	d8	d9	d10	d11	d12	Direction  (1)

- (1)  : Clockwise direction, to + V
 : Anticlockwise direction, to 0 V

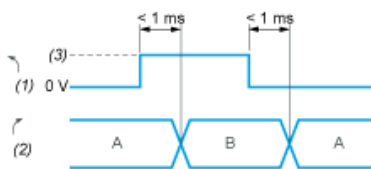
Technical Description

Type KB and KG (N) Output Stage



(1) Output

KB and KG (N) DIRECTION Input



- A : Anticlockwise
- B : Clockwise
- (1) DIRECTION input
- (2) DIRECTION of counting
- (3) V supply