



Main

| | |
|------------------------------|-------------------------------------|
| Range of product | OsiSense XCC |
| Encoder type | Incremental encoder |
| Encoder name | XCC |
| Product specific application | - |
| Diameter | 58 mm |
| Shaft diameter | 6 mm |
| Shaft type | Solid shaft |
| Resolution | 100 points |
| Output stage | Type X |
| Type of output stage | Driver 5V, RS422 |
| Electrical connection | 1 male connector M23 radial 12 pins |
| [Us] rated supply voltage | 4.75...30 V DC |
| Enclosure material | Zamak |

Complementary

| | |
|--------------------------|---|
| Shaft tolerance | G7 |
| Residual ripple | 0...500 mV |
| Maximum revolution speed | 9000 rpm |
| Shaft moment of inertia | 10 g.cm ² |
| Torque value | 0.004 N.m |
| Maximum load | 5 daN axial 10 daN radial |
| Output frequency | 300 kHz |
| Number of channels | 3 |
| Current consumption | 0...75 mA (no-load) |
| Protection type | Reverse polarity protection Short-circuit protection |
| Maximum output current | 40 mA |
| Output level | High level: 4.5 V minimum (20 mA) Low level: 0.5 V maximum (20 mA) |
| Surge withstand | 1 kV, level 2 conforming to IEC 61000-4-5 |
| Base material | Aluminium |
| Shaft material | Stainless steel |
| Type of ball bearings | 6000ZZ1 |
| Product weight | 0.495 kg |

Environment

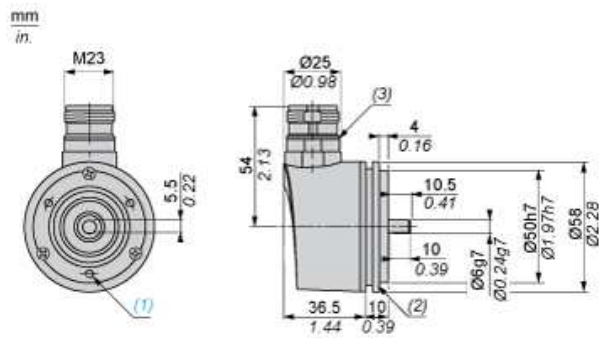
| | |
|---------------------------------------|--|
| Marking | CE |
| Ambient air temperature for operation | -30...100 °C |
| Ambient air temperature for storage | -30...85 °C |
| IP degree of protection | IP65 conforming to IEC 60529 |
| Vibration resistance | 10 gn (f = 55...2000 Hz) conforming to IEC 60068-2-6 |
| Shock resistance | 30 gn for 11 ms conforming to IEC 60068-2-27 |
| Resistance to electrostatic discharge | 8 kV (air discharge) level 3 conforming to IEC 61000-4-2 4 kV (contact discharge) level 3 conforming to IEC 61000-4-2 |

| | |
|--------------------------------------|---|
| Resistance to electromagnetic fields | 10 V/m level 3 conforming to IEC 61000-4-3 |
| Resistance to fast transients | 2 kV (power ports) level 3 conforming to IEC 61000-4-4 1 kV (signal ports) level 3 conforming to IEC 61000-4-4 |

Offer Sustainability

| | |
|--------------------------|---|
| Sustainable offer status | Not Green Premium product |
| RoHS (date code: YYWW) | Compliant - since 0701 - Schneider Electric declaration of conformity |
| REACH | Reference not containing SVHC above the threshold |

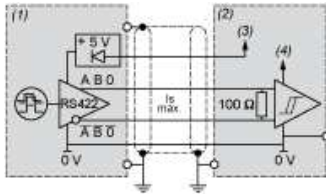
Dimensions



- (1) 3 holes M3 x 4 at 120° on 42 PCD, depth: 10 mm
- (2) Collar XCCRB1 mounted
- (3) Nitrile seal

Wiring Diagram

Type X Output Stage

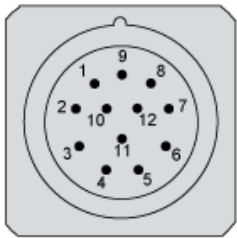


- (1) Encoder
- (2) Processing
- (3) Supply 4.75 V/30 V
- (4) Supply 5 V

Wiring Diagram

M23, 12-pin Connector Connections

Male Connector on Encoder



| Pin number | 1 | 2 | 3 | 4 | 5 | 6 | 7 | 8 | 9 | 10 | 11 | 12 |
|---------------|----------------|----|---|----------------|---|----------------|---|---|---|-----|-----|----|
| Signal Supply | A ⁻ | +V | 0 | 0 ⁻ | B | B ⁻ | R | A | R | 0 V | 0 V | +V |

R = reserved, do not connect