

# XUVH0312

photo-electric sensor - XUV - fork - handling -  
30X30mm - 12..24VDC - cable 2m



## Main

Range of product	OsiSense XU
Series name	Application material handling
Electronic sensor type	Photo-electric sensor
Sensor name	XUV
Sensor design	Fork
Detection system	Thru beam
Emission	Infrared
Passage width	30 mm
Passage depth	40 mm
Material	Plastic
Supply circuit type	DC
Wiring technique	3-wire
Discrete output type	PNP
Discrete output function	1 NO
Electrical connection	Cable
Cable length	2 m
Product specific application	Detection of flags in lifts/transtockers
[Sn] nominal sensing distance	30 mm

## Complementary

Enclosure material	ABS/PC
Lens material	PMMA
Type of output signal	Discrete
Output type	Solid state
Output function governance	Dark
Cable composition	3 x 0.34 mm <sup>2</sup>
Wire insulation material	PvR
Cable outer diameter	5 mm
Status LED	1 LED (red) for output state
[Us] rated supply voltage	24 V DC with reverse polarity protection
Supply voltage limits	19...38 V DC
Switching capacity in mA	<= 150 mA (overload and short-circuit protection)
Switching frequency	<= 1 kHz
Voltage drop	<= 1.5 V (closed state)
Current consumption	<= 20 mA (no-load)
Delay first up	<= 30 ms
Delay response	0.5 ms
Delay recovery	0.5 ms
Setting-up	Without sensitivity adjustment
Depth	68 mm
Height	59 mm
Width	14 mm
Product weight	0.13 kg

The information provided in this documentation contains general descriptions and/or technical characteristics of the performance of the products contained herein. This documentation is not intended as a substitute for and is not to be used for determining suitability or reliability of these products for specific user applications. It is the duty of any such user or integrator to perform the appropriate and complete risk analysis, evaluation and testing of the products with respect to the relevant specific application or use thereof. Neither Schneider Electric Industries SAS nor any of its affiliates or subsidiaries shall be responsible or liable for misuse of the information contained herein.

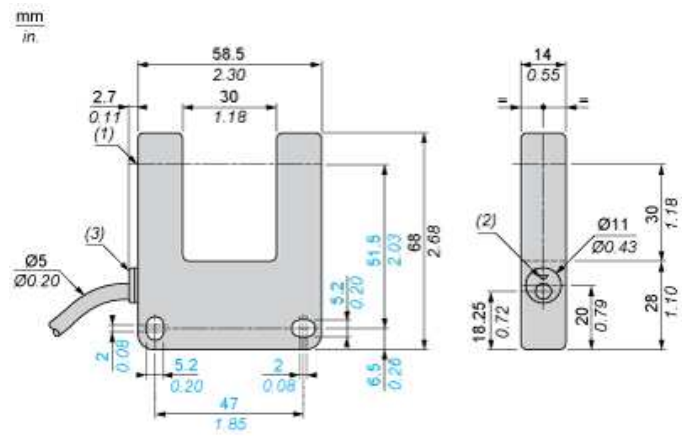
## Environment

Product certifications	CE
Ambient air temperature for operation	-5...55 °C
Ambient air temperature for storage	-20...70 °C
Vibration resistance	7 gn, amplitude = +/- 1 mm (f = 10...42 Hz) conforming to IEC 60068-2-6
Shock resistance	30 gn (duration = 11 ms) conforming to IEC 60068-2-27
IP degree of protection	IP54 conforming to IEC 60529

## Offer Sustainability

Sustainable offer status	Green Premium product
RoHS (date code: YYWW)	Compliant - since 0931 - <a href="#">Schneider Electric declaration of conformity</a>
REACH	Reference not containing SVHC above the threshold

Dimensions



- (1) Optical axis
- (2) Red LED
- (3) Diffuser

---

## Wiring Schemes (3-Wire DC)

---

### NO Function

PNP Output



BN : Brown  
BK : Black  
BU : Blue

---

## Detection Curve

---

