


Main	
Accessory / separate part category	Fixing accessories
Accessory / separate part type	Fixing bracket

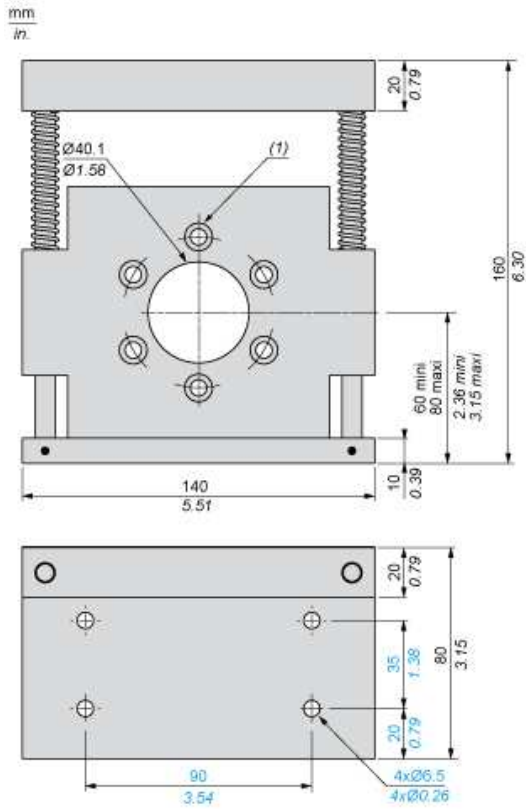
Complementary

Accessory / separate part designation	Bracket with play compensator
Product compatibility	XCC1912P XCC2912P XCC3912P
Product weight	0.89 kg

Offer Sustainability

Sustainable offer status	Not Green Premium product
RoHS (date code: YYWW)	Compliant - since 0701 -  Schneider Electric declaration of conformity
REACH	Reference not containing SVHC above the threshold

Dimensions



(1) 6 counterbored holes for CHC M6 screws at 120° on 60 PCD