

## Main

Accessory / separate part category	Cabling accessories
Accessory / separate part type	Connector
Electrical connection	Elbowed female connector M18, 4 pins
Collar material	Plastic
Status LED	Without
Cable connection	Screw terminal / wire size $\leq 1.5 \text{ mm}^2$ / clamping capacity 5...8 mm

## Complementary

Cable gland type	Pg 9
Cable connector fixing	Screw-on
[Ue] rated operational voltage	250 V AC
[In] rated current	16 A
Enclosure material	Plastic
Insulating resistance	$> 1000 \text{ G}\Omega$
Contact resistance	$\leq 10000 \text{ }\mu\text{Ohm}$
Product weight	0.035 kg

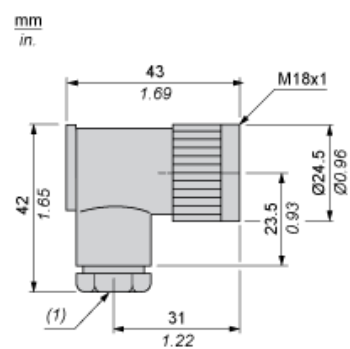
## Environment

IP degree of protection	IP65
Ambient air temperature for operation	-40...85 °C

## Offer Sustainability

RoHS (date code: YYWW)	Compliant - since 0545 - <a href="#">Schneider Electric declaration of conformity</a>
------------------------	---

Dimensions



(1) Pg 9 cable gland

---

## Connections and Schemes

---

