



Main

| | |
|------------------------------------|----------------------|
| Accessory / separate part category | Cabling accessory |
| Accessory / separate part type | Pre-wired connectors |
| Series name | General purpose |

Complementary

| | |
|--------------------------------|---|
| Electrical connection | Elbowed female connector, connector type: M8 3 pins |
| Cable connector fixing | Screw-on |
| Collar material | Metal |
| Status LED | 2 NPN LEDs |
| Cable length | 5 m |
| Cable outer diameter | 5.2 mm |
| Cable composition | 3 x 0.34 mm ² |
| Wire insulation material | PUR |
| [Ue] rated operational voltage | 10...30 V DC |
| [In] rated current | 4 A |
| Contact resistance | <= 5000 µOhm |
| Insulating resistance | >= 1 GΩ |
| Product weight | 0.12 kg |

Environment

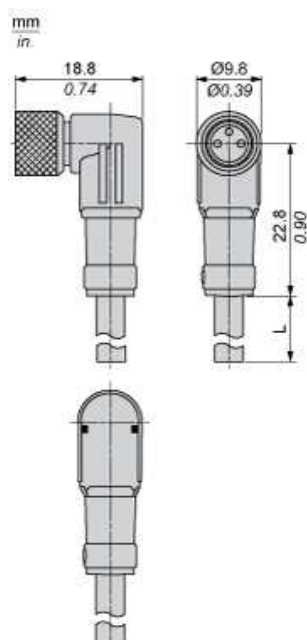
| | |
|---------------------------------------|--|
| IP degree of protection | IP65 IP67 IP69K |
| Ambient air temperature for operation | -40...80 °C (static) -5...80 °C (flexing) |
| Ambient air temperature for storage | -40...80 °C |

Offer Sustainability

| | |
|--------------------------|---|
| Sustainable offer status | Not Green Premium product |
| RoHS (date code: YYWW) | Compliant - since 0726 - Schneider Electric declaration of conformity |

The information provided in this documentation contains general descriptions and/or technical characteristics of the performance of the products contained herein. This documentation is not intended as a substitute for and is not to be used for determining suitability or reliability of these products for specific user applications. It is the duty of any such user or integrator to perform the appropriate and complete risk analysis, evaluation and testing of the products with respect to the relevant specific application or use thereof. Neither Schneider Electric Industries SAS nor any of its affiliates or subsidiaries shall be responsible or liable for misuse of the information contained herein.

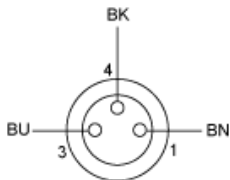
Dimensions



L: Length of cable

Connections and Schemes

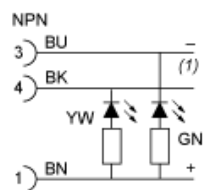
Connector



BU : Blue
BN : Brown
BK : Black

Connections and Schemes

LED Connection



BU : Blue
BK : Black
BN : Brown
GN : Green
YW : Yellow
(1) Signal