



Main

Accessory / separate part category	Cabling accessory
Accessory / separate part type	Pre-wired connectors
Series name	General purpose

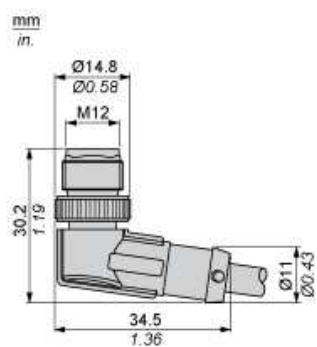
Complementary

Electrical connection	Elbowed male connector, connector type: M12 4 pins
Cable connector fixing	Screw-on
Collar material	Metal
Status LED	Without
Cable length	1 m
Cable outer diameter	4.6 mm
Cable composition	4 x 0.25 mm ²
Wire insulation material	PVC
[Ue] rated operational voltage	300 V DC 250 V AC
[In] rated current	3 A
Contact resistance	<= 5000 µOhm
Insulating resistance	>= 1 GΩ
Product weight	0.052 kg

Environment

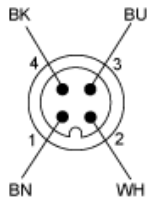
IP degree of protection	IP65 IP67
Ambient air temperature for operation	-25...80 °C (static)
Ambient air temperature for storage	-25...80 °C

Dimensions



Connections and Schemes

Connector



BN : Brown
BK : Black
BU : Blue
WH : White