



#### Main

Accessory / separate part designation	Clip-on 90° fixing bracket
Accessory / separate part destination	Flat form 40 x 40 x 15 sensor Flat form 40 x 40 x 15 station Flat form 40 x 40 x 15 tag
Accessory / separate part category	Mounting and fixing accessories
Accessory / separate part type	Fixing bracket
Product compatibility	XG flat form 40 x 40 x 15 XS flat form 40 x 40 x 15
Quantity per set	Set of 1
Additional information	Mounting possible without clip on tapped hole

#### Complementary

Product weight	0.06 kg
----------------	---------

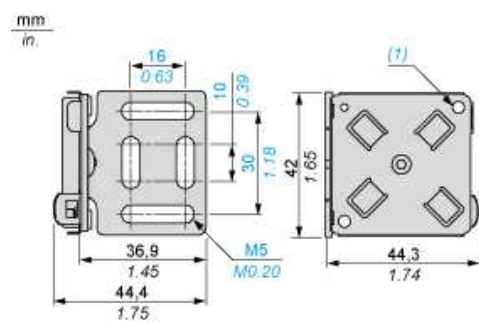
#### Offer Sustainability

Sustainable offer status	Green Premium product
RoHS (date code: YYWW)	Compliant - since 0901 - <a href="#">Schneider Electric declaration of conformity</a>
REACH	Reference not containing SVHC above the threshold
Product environmental profile	Available <a href="#">Download Product Environmental</a>
Product end of life instructions	Available <a href="#">Download End Of Life Manual</a>

The information provided in this documentation contains general descriptions and/or technical characteristics of the performance of the products contained herein. This documentation is not intended as a substitute for and is not to be used for determining suitability or reliability of these products for specific user applications. It is the duty of any such user or integrator to perform the appropriate and complete risk analysis, evaluation and testing of the products with respect to the relevant specific application or use thereof. Neither Schneider Electric Industries SAS nor any of its affiliates or subsidiaries shall be responsible or liable for misuse of the information contained herein.

## Dimensions

### Mounting Brackets



(1) 4 screws M4 x 14