



Main	
Accessory / separate part category	Mounting and fixing accessories
Accessory / separate part type	Fixing bracket

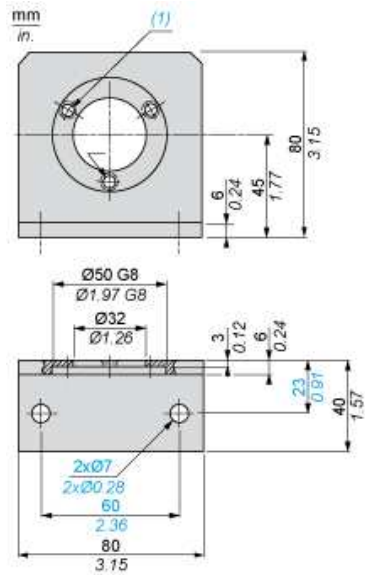
Complementary

Accessory / separate part destination	Ø 58 mm encoder
Product compatibility	XCC1506 XCC2506
Product weight	0.13 kg

Offer Sustainability

Sustainable offer status	Not Green Premium product
RoHS (date code: YYYYMM)	Compliant - since 0701 - Schneider Electric declaration of conformity
REACH	Reference not containing SVHC above the threshold

Dimensions



(1) 3 holes Ø 4.5 at 120° on 42 PCD