

# XUK8TAE2MM12

photo-electric sensor - XUK - diffuse Sn 5m  
1output auto PNP/NPN 1output 4.20mA



## Main

|                               |   |
|-------------------------------|---|
| Range of product              | OsiSense XU   |
| Series name                   | Application assembly<br>Application material handling                 |
| Electronic sensor type        | Photo-electric sensor   |
| Sensor name                   | XUK   |
| Sensor design                 | Compact 50 x 50   |
| Detection system              | Diffuse distance sensor   |
| Material                      | Plastic   |
| Type of output signal         | Analogue + discrete   |
| Wiring technique              | 5-wire  |
| Discrete output type          | PNP or NPN  |
| Discrete output function      | 1 NO or 1 NC programmable   |
| Analogue output range         | 4...20 mA   |
| Electrical connection         | 1 male connector M12, 5 pins  |
| Product specific application  | Distance measurement on object  |
| Emission                      | Red laser diffuse distance sensor (class 1) conforming to IEC 60825-1 |
| [Sn] nominal sensing distance | 5 m diffuse distance sensor   |

## Complementary

|                           |  |
|---------------------------|--|
| Enclosure material        | ABS/PC   |
| Lens material             | PMMA   |
| Maximum sensing distance  | 5 m diffuse distance sensor  |
| Output type               | Analog<br>Solid state  |
| Add on input              | External teach   |
| Status LED                | 1 LED (yellow) for output state<br>1 LED (green/yellow) for supply on/output state |
| [Us] rated supply voltage | 24 V DC with reverse polarity protection   |
| Supply voltage limits     | 18...30 V DC   |
| Switching capacity in mA  | <= 100 mA (overload and short-circuit protection)                                  |
| Switching frequency       | <= 500 Hz  |
| Voltage drop              | <= 2 V   |
| Current consumption       | <= 60 mA (no-load)   |
| Delay first up            | < 300 ms   |
| Delay response            | < 1.2 ms   |
| Delay recovery            | < 1.2 ms   |
| Setting-up                | Using teach button or remote teaching  |
| Depth                     | 50 mm  |
| Height                    | 50 mm  |
| Width                     | 18 mm  |
| Product weight            | 0.035 kg   |

The information provided in this documentation contains general descriptions and/or technical characteristics of the performance of the products contained herein. This documentation is not intended as a substitute for and is not to be used for determining suitability or reliability of these products for specific user applications. It is the duty of any such user or integrator to perform the appropriate and complete risk analysis, evaluation and testing of the products with respect to the relevant specific application or use thereof. Neither Schneider Electric Industries SAS nor any of its affiliates or subsidiaries shall be responsible or liable for misuse of the information contained herein.

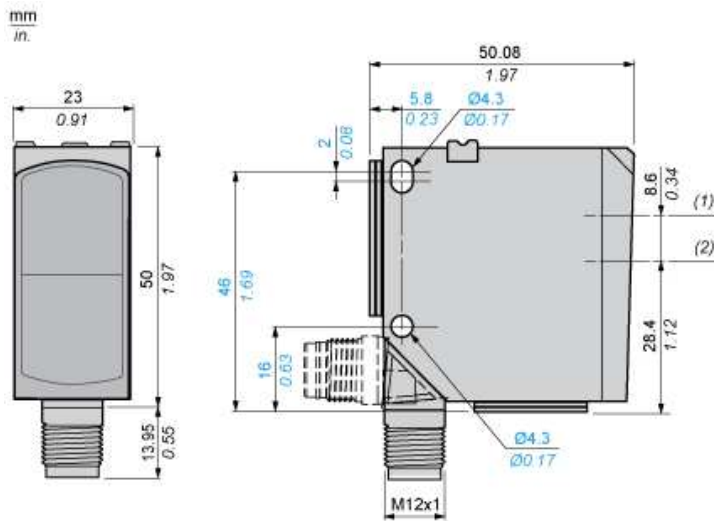
## Environment

|                                       |   |
|---------------------------------------|---|
| Product certifications                | CE<br>CULus<br>Ecolab   |
| Ambient air temperature for operation | -20...50 °C, UL certified<br>-40...60 °C                                  |
| Ambient air temperature for storage   | -40...80 °C   |
| Vibration resistance                  | 7 gn, amplitude = +/- 1.5 mm (f = 10...55 Hz) conforming to IEC 60068-2-6 |
| Shock resistance                      | 30 gn (duration = 11 ms) conforming to IEC 60068-2-27                     |
| IP degree of protection               | IP67 conforming to IEC 60529<br>IP69K conforming to DIN 40050             |

## Offer Sustainability

|                          |                           |
|--------------------------|---------------------------|
| Sustainable offer status | Not Green Premium product |
| RoHS (date code: YYWW)   | Will not be Compliant     |

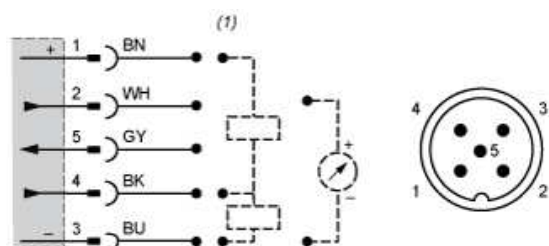
## Dimensions



- (1) Transmitter optical axis
- (2) Receiver optical axis

## Connections and Schema

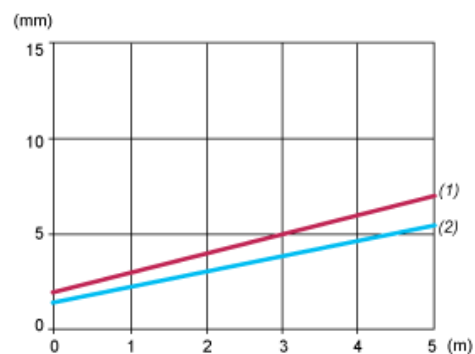
### Connector Wiring



- (1) Auto-detect  
1: + UB (BN: Brown)  
2: QA (WH: White)  
3: -UB (BU: Blue)  
4: Q (BK: Black)  
5: IN (GY: Grey)

Curves

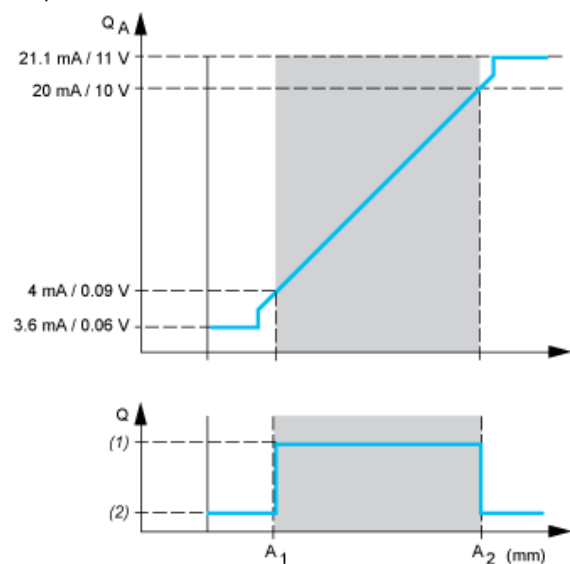
Size of light spot (typical)



(1) Vertical (y)  
 (2) Horizontal (x)  
 0... Size  
 15 mm :  
 0...5 Distance  
 m :

Curves

Output characteristic curve

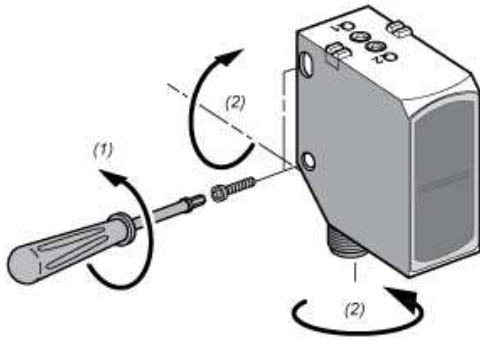


QA : Analogue output  
 Q : Switching output  
 (1) High  
 (2) Low

---

Mounting

---



- (1) < 1,5 Nm (13 lb-in)
- (2) < 1 Nm (8.85 lb-in)