



### Main

Range of product	OsiSense XS
Series name	General purpose
Sensor type	Inductive proximity sensor
Device application	-
Sensor name	XS7
Sensor design	Flat form 15 x 32 x 8
Size	8 mm
Body type	Fixed
Detector flush mounting acceptance	Flush mountable
Material	Plastic
Enclosure material	PBT
Type of output signal	Discrete
Wiring technique	2-wire
Discrete output function	1 NC
Output circuit type	DC
Electrical connection	3 pins M8 remote male connector
Cable length	0.15 m
[Us] rated supply voltage	12...24 V DC with reverse polarity protection
Switching capacity in mA	1.5...100 mA DC with overload and short-circuit protection
IP degree of protection	IP68 conforming to IEC 60529

### Complementary

Detection face	Frontal
Front material	PBT
Operating zone	0...4 mm
Differential travel	1...15% of Sr
Wire insulation material	PvR
Status LED	1 LED yellow for output state
Supply voltage limits	20...264 V AC/DC
Residual current	<= 0.5 mA for open state
Switching frequency	<= 5000 Hz
Voltage drop	<= 4 V at closed state
Current consumption	<= 10 mA at no-load
Delay first up	5 ms
Delay response	5 ms
Delay recovery	5 ms
Marking	CE
Depth	8 mm
Height	32 mm
Width	15 mm
Product weight	0.045 kg

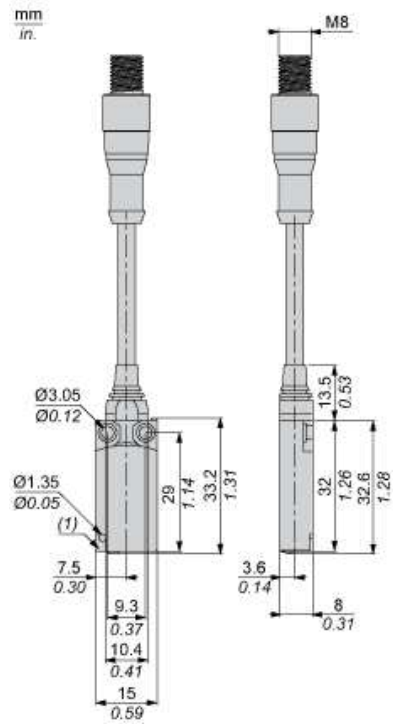
## Environment

Product certifications	CSA C-Tick UL
Ambient air temperature for operation	-25...70 °C
Ambient air temperature for storage	-40...85 °C
Vibration resistance	25 gn amplitude = +/- 2 mm (f = 10...55 Hz) conforming to IEC 60068-2-6
Shock resistance	50 gn for 11 ms conforming to IEC 60068-2-27

## Offer Sustainability

Sustainable offer status	Not Green Premium product
RoHS (date code: YYWW)	Compliant - since 0903 - <a href="#">Schneider Electric declaration of conformity</a>
Product environmental profile	Available <a href="#">Download Product Environmental</a>
Product end of life instructions	Need no specific recycling operations

Dimensions



(1) LED

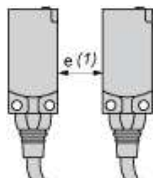
---

Setting-up

---

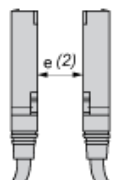
Minimum Mounting Distances (mm)

Side by Side



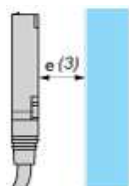
e (1) 15  
≥

Face to Face



e (2) 40  
≥

Facing a Metal Object



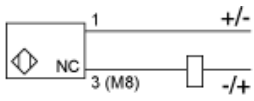
e (3) 15  
≥

---

## Wiring Schemes

---

### 2-Wire NC



M8

