



Main

Range of product	OsiSense XG
Product or component type	Connection tap-off box
Device short name	TCS
Number of channels	3
Communication port protocol	Modbus Uni-Telway
Associated smart antenna	XGCS49 XGCS89
Electrical connection	1 female connector M12 5 pins for network output (A coding) 1 male connector M12 4 pins for power supply (A coding) 1 male connector M12 5 pins (A coding) 3 female connectors M12 5 pins for stations XGCS (A coding)
[Us] rated supply voltage	24 V DC conforming to Protective Extra Low Voltage

Complementary

Supply voltage limits	19.2...29 V DC
Status LED	1 LED (green) for supply on
Marking	CE
Product weight	1.06 kg

Environment

Product certifications	UL
Ambient air temperature for operation	-25...55 °C
Ambient air temperature for storage	-40...85 °C
Relative humidity	30...95 %
IP degree of protection	IP65
EMC filter	Class B EMC filter conforming to EN 55022 Level 3 EMC filter conforming to IEC 61000

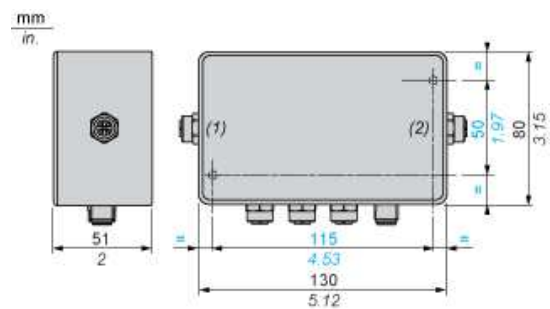
Offer Sustainability

Sustainable offer status	Not Green Premium product
RoHS (date code: YYWW)	Compliant - since 0824 - Schneider Electric declaration of conformity

The information provided in this documentation contains general descriptions and/or technical characteristics of the performance of the products contained herein. This documentation is not intended as a substitute for and is not to be used for determining suitability or reliability of these products for specific user applications. It is the duty of any such user or integrator to perform the appropriate and complete risk analysis, evaluation and testing of the products with respect to the relevant specific application or use thereof. Neither Schneider Electric Industries SAS nor any of its affiliates or subsidiaries shall be responsible or liable for misuse of the information contained herein.

Dimensions

Connection Boxes

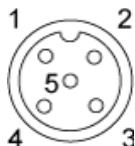


- (1) In
- (1) Out

Wiring Diagram

Modbus Connections

Socket to Smart Antenna Cabling



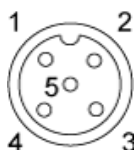
Pin no.	Signal
1	Drain (Modbus-SHLD)
2	+ 24 VDC
3	0 V/Modbus-GND
4	D0
5	D1

Socket to Power Supply Cabling



Pin no.	Signal
1	+ 24 VDC
2	+ 24 VDC
3	0 VDC
4	0 VDC

Socket to Another Connection Box Cabling



Pin no.	Signal
1	Drain (Modbus-SHLD)
2	-
3	0 V/Modbus-GND
4	D0
5	D1

Socket to Automation Platform Cabling



Pin no.	Signal
1	Drain (Modbus-SHLD)
2	-

Pin no.	Signal
3	0 V/Modbus-GND
4	D0
5	D1