



Photoelectric sensors
W27-2, Photoelectric proximity sensor,
Background suppression

WT27-2S030S14



Model Name > [WT27-2S030S14](#)
Part No. > [1015709](#)



Illustration may differ

At a glance

- Intense visible red emitter LED with consistent light spot for PinPoint versions
- Long sensing ranges with IR LED achieve up to 2500 mm
- Precise background suppression for detection of multi-colored objects
- Universal DC or DC/AC supply voltage
- IO-Link provides access to sensor information and optimizes operating processes.
- Reflex Array Sensor: Minimum Detectable Object > 12 mm with a 50 mm detection area for the standard resolution variant
- Reflex Array Sensor: Minimum Detectable Object > 5 mm with a 24 mm detection area for the high resolution variant
- Classification: EX II 3D IP67 T70°C, EX II 3G EEx nA II T4 X according to Directive 94/9/EC (ATEX)
- Corresponds to category 3D/3G
- Conform to standards and ready-to-install: Sensor + protective housing (stainless steel 1.4301)
- UL approval

Your benefits

- Quick and easy commissioning due to a highly visible red PinPoint LED
- PinPoint technology can replace laser photoelectric proximity sensors in some applications. No laser safety regulations and a longer operating life due to PinPoint technology
- Resistant to ambient light, optical reflections, and crosstalk from other photoelectric devices
- Less contamination due to high operating reserves, reducing downtime
- Resistant to vibrations, reducing downtime
- Operation in harsh environments with temperatures as low as -40 °C
- Reflex Array Sensor: Reliable detection regardless of target position within the array: detection height 50 mm (MDO: > 12 mm) or detection height 24 mm (MDO: > 5 mm)
- Reflex Array Sensor: Less installation effort compared to light grids or multiple single-point photoelectric sensors
- Ready-to-install sensors including metal housing conform with the 3G/3D category for explosive zones (ATEX)



Features

Sensor/detection principle:	Photoelectric proximity sensor, Background suppression
Dimensions (W x H x D):	24.6 mm x 80 mm x 53.5 mm
Housing design (light emission):	Rectangular

Sensing range max.:	100 mm ... 1,000 mm ¹⁾
Sensing range:	100 mm ... 1,000 mm
Type of light:	Visible red light
Light source:	LED ²⁾
Adjustment:	Potentiometer
Light spot size (distance):	Ø 15 mm (500 mm)

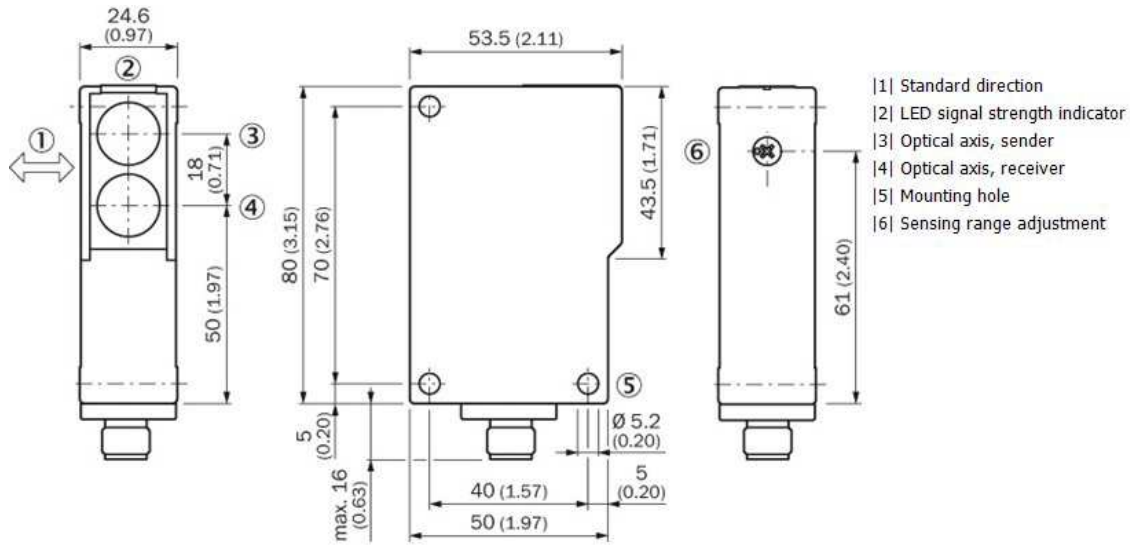
¹⁾ Object with 90 % reflectance (referred to standard white DIN 5033) ²⁾ Average service life of 100,000 h at T_A = +25 °C

Mechanics/electronics

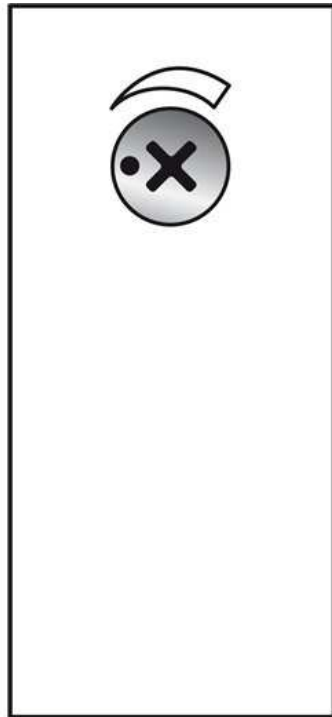
Supply voltage:	24 V AC/DC ... 240 V AC/DC ¹⁾
Power consumption:	< 2 VA
Output type:	Relay, electrically isolated ²⁾
Output function:	Change-over contacts
Switching mode:	Light/dark switching ³⁾
Switching current (switching voltage):	0.2 A (120 V DC), 4 A (24 V DC), 4 A (240 V AC)
Response time:	< 6 ms ⁴⁾
Switching frequency:	10 Hz ⁵⁾
Connection type:	Cable with connector Mini 7/8", 5-pin
Circuit protection::	A, C ^{6) 7)}
Protection class:	II ⁸⁾
Weight:	100 g
Special device:	✓
Housing material:	ABS, Plastic
Enclosure rating:	IP 65
Ambient operating temperature:	-40 °C ... 60 °C
Ambient storage temperature:	-40 °C ... 75 °C
UL File No.:	NRKH.E181493 & NRKH7.E181493

¹⁾ + 10 %, -20 % ^{2) 3)} Provide suitable spark suppression for inductive or capacitive loads ⁴⁾ Signal transit time with resistive load ⁵⁾ With light/dark ratio 1:1 ⁶⁾ A = V_S
connections reverse-polarity protected ⁷⁾ C = interference suppression ⁸⁾ Reference voltage 250 V AC

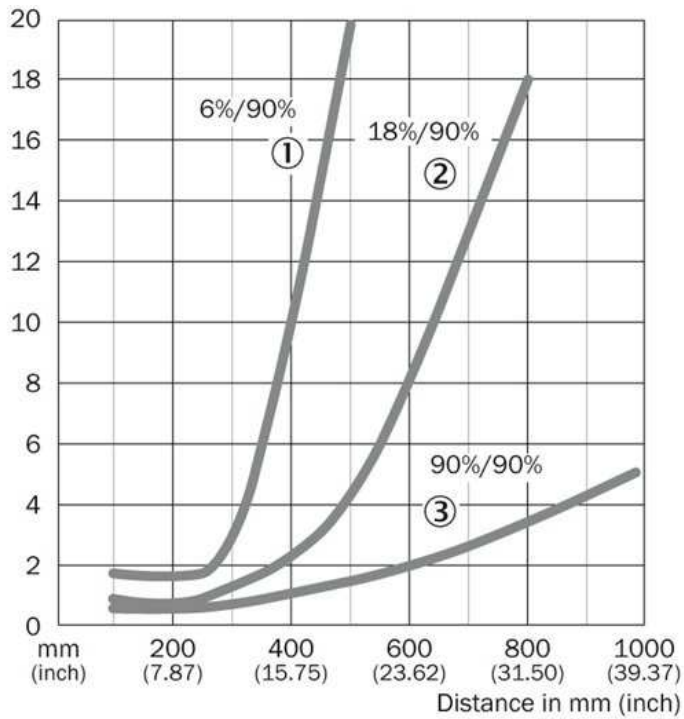
Dimensional drawing



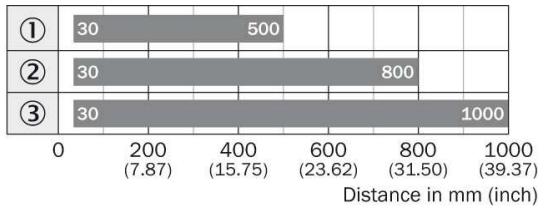
Adjustments possible



Characteristic curve



Sensing range diagram



■ Sensing range

- ① Sensing range on black, 6 % remission
- ② Sensing range on gray, 18 % remission
- ③ Sensing range on white, 90 % remission

Australia

Phone +61 3 9457 0600
1800 33 48 02 – tollfree
E-Mail sales@sick.com.au

Belgium/Luxembourg

Phone +32 (0)2 466 55 66
E-Mail info@sick.be

Brasil

Phone +55 11 3215-4900
E-Mail marketing@sick.com.br

Canada

Phone +1 905 771 14 44
E-Mail information@sick.com

Česká republika

Phone +420 2 57 91 18 50
E-Mail sick@sick.cz

China

Phone +86 4000 121 000
E-Mail info.china@sick.net.cn
Phone +852-2153 6300
E-Mail ghk@sick.com.hk

Danmark

Phone +45 45 82 64 00
E-Mail sick@sick.dk

Deutschland

Phone +49 211 5301-301
E-Mail info@sick.de

España

Phone +34 93 480 31 00
E-Mail info@sick.es

France

Phone +33 1 64 62 35 00
E-Mail info@sick.fr

Great Britain

Phone +44 (0)1727 831121
E-Mail info@sick.co.uk

India

Phone +91-22-4033 8333
E-Mail info@sick-india.com

Israel

Phone +972-4-6881000
E-Mail info@sick-sensors.com

Italia

Phone +39 02 27 43 41
E-Mail info@sick.it

Japan

Phone +81 (0)3 5309 2112
E-Mail support@sick.jp

Magyarország

Phone +36 1 371 2680
E-Mail office@sick.hu

Nederland

Phone +31 (0)30 229 25 44
E-Mail info@sick.nl

Norge

Phone +47 67 81 50 00
E-Mail sick@sick.no

Österreich

Phone +43 (0)22 36 62 28 8-0
E-Mail office@sick.at

Polska

Phone +48 22 837 40 50
E-Mail info@sick.pl

România

Phone +40 356 171 120
E-Mail office@sick.ro

Russia

Phone +7-495-775-05-30
E-Mail info@sick.ru

Schweiz

Phone +41 41 619 29 39
E-Mail contact@sick.ch

Singapore

Phone +65 6744 3732
E-Mail sales.gsg@sick.com

Slovenija

Phone +386 (0)1-47 69 990
E-Mail office@sick.si

South Africa

Phone +27 11 472 3733
E-Mail info@sickautomation.co.za

South Korea

Phone +82 2 786 6321/4
E-Mail info@sickkorea.net

Suomi

Phone +358-9-25 15 800
E-Mail sick@sick.fi

Sverige

Phone +46 10 110 10 00
E-Mail info@sick.se

Taiwan

Phone +886 2 2375-6288
E-Mail sales@sick.com.tw

Türkiye

Phone +90 (216) 528 50 00
E-Mail info@sick.com.tr

United Arab Emirates

Phone +971 (0) 4 88 65 878
E-Mail info@sick.ae

USA/México

Phone +1(952) 941-6780
1 (800) 325-7425 – tollfree
E-Mail info@sickusa.com

More representatives and agencies
at www.sick.com