



Long range distance sensors  
Product group DME3000, Distance sensor,  
proximity mode

DME3000-212



**Model Name** > [DME3000-212](#)  
**Part No.** > [1015906](#)



### Product features

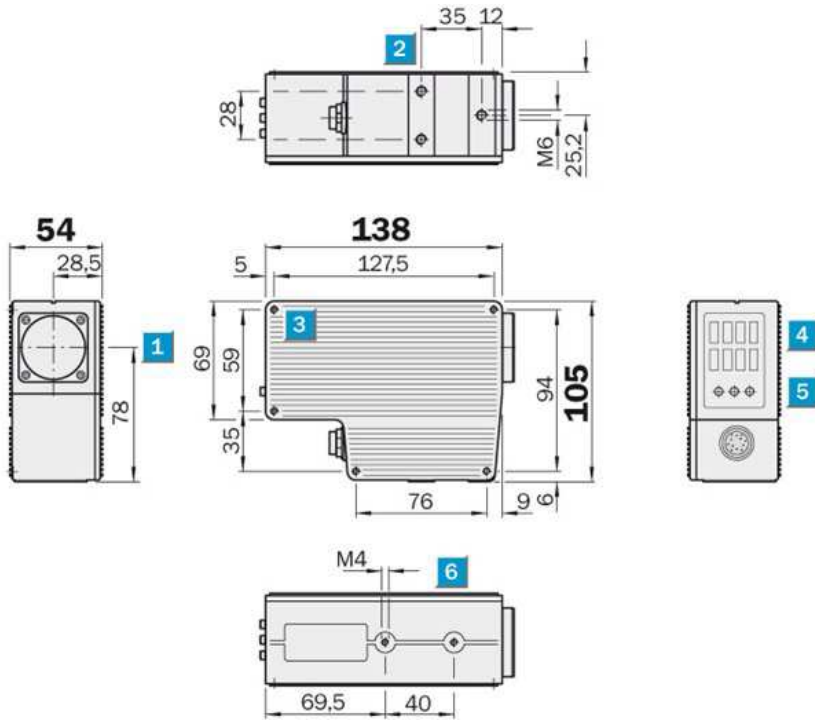
Measurement range min ... max:	100 mm ... 8,000 mm
Measuring condition::	Relative to front edge of lens
Remark::	Proximity mode
Light source::	Laser diode
Type of light:	Laser, red light
Laser protection class:	2 (IEC 60825-1/EN 60825-1)
Technology:	Distance sensor, proximity mode
Distance from ... to:	100 mm ... 8,000 mm

### Technical data

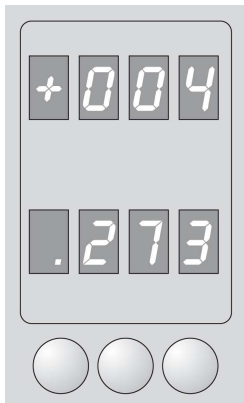
Dimensions (W x H x D):	54 mm x 105 mm x 138 mm
Supply voltage min ... max::	DC 18 ... 30 V
Data interface:	RS-422, SSI
Light spot diameter:	5 mm at measurement distance 8 m
Ripple:	< 5 Vpp
Output current:	≤ 100 mA
Switching outputs:	PNP/NPN, Q1, Q2, Qp, Qs
Accuracy of sensor element:	+/- 5 ... +/- 30 mm
Repeatability:	1 ... 25 mm
Measured value output:	RS-422: 21 ms, SSI: 21 ms
Connection type:	connector, M16, 12-pin
Enclosure rating::	IP 65
Reverse polarity protection:	1
Short-circuit protected::	1
Overload protected:	1
Ambient operation temperature, min ... max::	-10 °C ... +45 °C
Ambient storage temperature, min ... max:	-25 °C ... +75 °C
Series:	DME3000
Power consumption:	< 6 W
Initialization time:	5

1) Q1 and Q2 invertible; 2) 23 °C air temperature, 977 hPa, min. switching period 30 min Re-callibration recommended after 25,000 hrs;

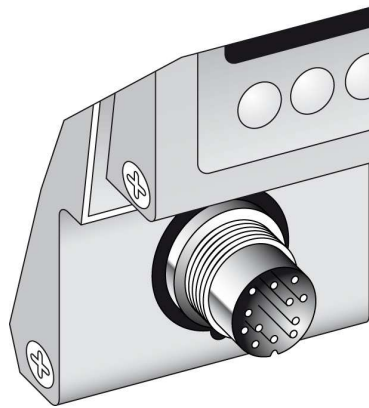
**Dimensional drawing**



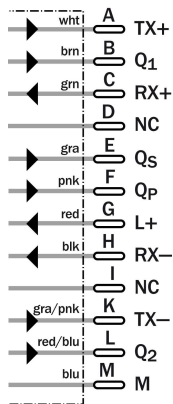
**Adjustment possible**



**Connection type**



**Connection diagram**



**Australia**

Phone +61 3 9457 0600  
1800 33 48 02 – tollfree  
E-Mail sales@sick.com.au

**Belgium/Luxembourg**

Phone +32 (0)2 466 55 66  
E-Mail info@sick.be

**Brasil**

Phone +55 11 3215-4900  
E-Mail marketing@sick.com.br

**Canada**

Phone +1 905 771 14 44  
E-Mail information@sick.com

**Česká republika**

Phone +420 2 57 91 18 50  
E-Mail sick@sick.cz

**China**

Phone +86 4000 121 000  
E-Mail info.china@sick.net.cn  
Phone +852-2153 6300  
E-Mail ghk@sick.com.hk

**Danmark**

Phone +45 45 82 64 00  
E-Mail sick@sick.dk

**Deutschland**

Phone +49 211 5301-301  
E-Mail info@sick.de

**España**

Phone +34 93 480 31 00  
E-Mail info@sick.es

**France**

Phone +33 1 64 62 35 00  
E-Mail info@sick.fr

**Great Britain**

Phone +44 (0)1727 831121  
E-Mail info@sick.co.uk

**India**

Phone +91-22-4033 8333  
E-Mail info@sick-india.com

**Israel**

Phone +972-4-6881000  
E-Mail info@sick-sensors.com

**Italia**

Phone +39 02 27 43 41  
E-Mail info@sick.it

**Japan**

Phone +81 (0)3 5309 2112  
E-Mail support@sick.jp

**Magyarország**

Phone +36 1 371 2680  
E-Mail office@sick.hu

**Nederland**

Phone +31 (0)30 229 25 44  
E-Mail info@sick.nl

**Norge**

Phone +47 67 81 50 00  
E-Mail sick@sick.no

**Österreich**

Phone +43 (0)22 36 62 28 8-0  
E-Mail office@sick.at

**Polska**

Phone +48 22 837 40 50  
E-Mail info@sick.pl

**România**

Phone +40 356 171 120  
E-Mail office@sick.ro

**Russia**

Phone +7-495-775-05-30  
E-Mail info@sick.ru

**Schweiz**

Phone +41 41 619 29 39  
E-Mail contact@sick.ch

**Singapore**

Phone +65 6744 3732  
E-Mail sales.gsg@sick.com

**Slovenija**

Phone +386 (0)1-47 69 990  
E-Mail office@sick.si

**South Africa**

Phone +27 11 472 3733  
E-Mail info@sickautomation.co.za

**South Korea**

Phone +82 2 786 6321/4  
E-Mail info@sickkorea.net

**Suomi**

Phone +358-9-25 15 800  
E-Mail sick@sick.fi

**Sverige**

Phone +46 10 110 10 00  
E-Mail info@sick.se

**Taiwan**

Phone +886 2 2375-6288  
E-Mail sales@sick.com.tw

**Türkiye**

Phone +90 (216) 528 50 00  
E-Mail info@sick.com.tr

**United Arab Emirates**

Phone +971 (0) 4 88 65 878  
E-Mail info@sick.ae

**USA/México**

Phone +1(952) 941-6780  
1 (800) 325-7425 – tollfree  
E-Mail info@sickusa.com

More representatives and agencies  
at [www.sick.com](http://www.sick.com)