



Photoelectric sensors
W45, Through-beam photoelectric sensor

WS/WE45-P260S01



Model Name > [WS/WE45-P260S01](#)
Part No. > [1016031](#)



Illustration may differ

At a glance

- Long sensing range
- Rugged metal housing
- Optional: Powerful front lens heating
- Optional test input, time delays and alarm output
- Variants for 10 - 60 V DC or 24 - 240 V DC / 24 - 240 V AC voltage supply

Your benefits

- Very long sensing range with a high operating reserve at 100 m provides reliable continuous operation
- Rugged metal housing ensures a long service life in harsh industrial environments
- Front lens heating prevents condensation and frost for reliable operation in outdoor applications
- Scope alignment aid ensures easier alignment to long sensing ranges
- Multiple functions for simpler integration of individual systems
- Variants DC voltage and universal AC/DC voltage provides installation flexibility due to same housing



Features

Sensor/detection principle:	Through-beam photoelectric sensor
Dimensions (W x H x D):	60 mm x 105 mm x 105 mm
Housing design (light emission):	Rectangular
Sensing range max.:	0 m ... 35 m ¹⁾
Sensing range:	0 m ... 35 m
Type of light:	Visible red light
Light source:	LED ²⁾
Time type:	Off delay, ON and OFF delay, On delay
Delay time:	0.015 ... 0.3 s, Adjustable via time delay selector switch: 0.5 ... 12 s
Special features:	For the detection of hot objects with surface temperatures of > 800 °C
Adjustment:	Potentiometer
Light spot size (distance):	Ø 560 mm (35 m)

¹⁾ Valid only for ambient temperature ²⁾ Average service life of 100,000 h at T_A = +25 °C

Mechanics/electronics

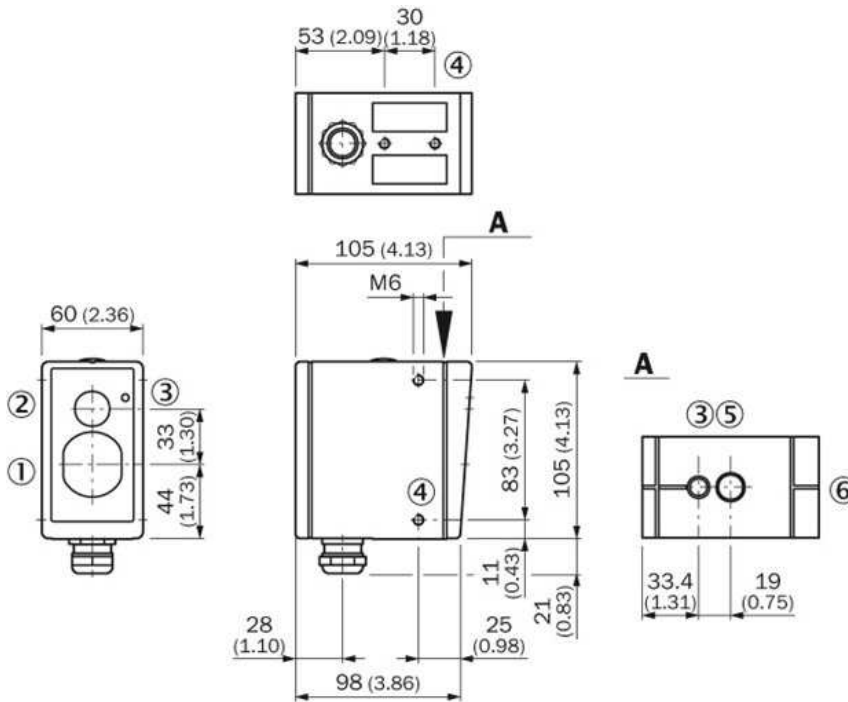
Supply voltage:	10 V DC ... 60 V DC ¹⁾
Ripple:	≤ 5 Vpp ²⁾

Power consumption, sender:	50 mA ³⁾
Power consumption, receiver:	50 mA ⁴⁾
Output type:	PNP
Output function:	Complementary
Switching mode:	Light/dark switching
Output current I _{max.} :	200 mA
Response time:	≤ 500 μs ⁵⁾
Switching frequency:	1,000 Hz ⁶⁾
Connection type:	Terminal connection with PG13,5, 6-pin
Circuit protection:::	A, C, D ^{7) 8) 9)}
Protection class:	I ¹⁰⁾
Weight:	1,600 g
Alarm output:	100 mA, open collector ¹¹⁾
Special device:	✓
Housing material:	Metal
Enclosure rating:	IP 67
Items supplied:	Cooling plate BEF-KP-W 45 and special protection hood OBS-W45-H not included in scope of delivery
Test input sender off:	TE to 0 V
Ambient operating temperature:	-25 °C ... 55 °C ¹²⁾
Ambient storage temperature:	-40 °C ... 70 °C

¹⁾ Limit values ²⁾ May not exceed or fall short of V_S tolerances ^{3) 4)} Without load ⁵⁾ Signal transit time with resistive load ⁶⁾ With light/dark ratio 1:1 ⁷⁾ A = V_S ⁸⁾ connections reverse-polarity protected ⁹⁾ C = interference suppression ¹⁰⁾ D = outputs overcurrent and short-circuit protected ¹¹⁾ Reference voltage 50 V DC
¹²⁾ Flashes at approx. 5 Hz, switch to VS Up to 120 °C with cooling plates BEF-KP-W 45

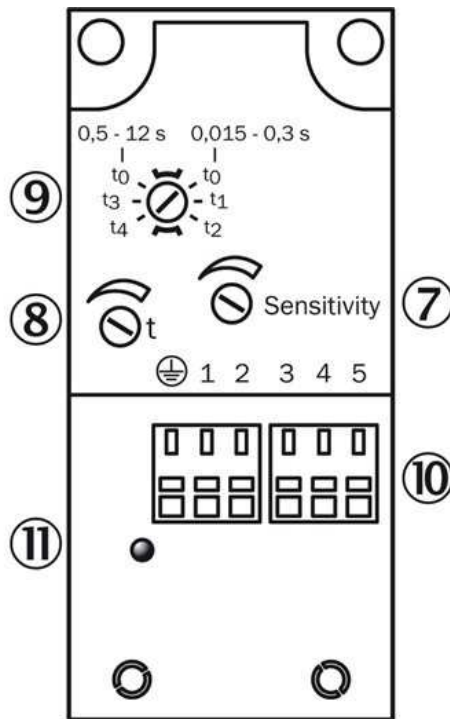
Dimensional drawing

- |1| Center of optical axis, sender (WS), Center of optical axis, receiver (WE)
- |2| View finder lens
- |3| LED signal strength indicator
- |4| M6 threaded mounting hole, 8 mm deep
- |5| Eyepiece for alignment aid
- |6| Alignment sight

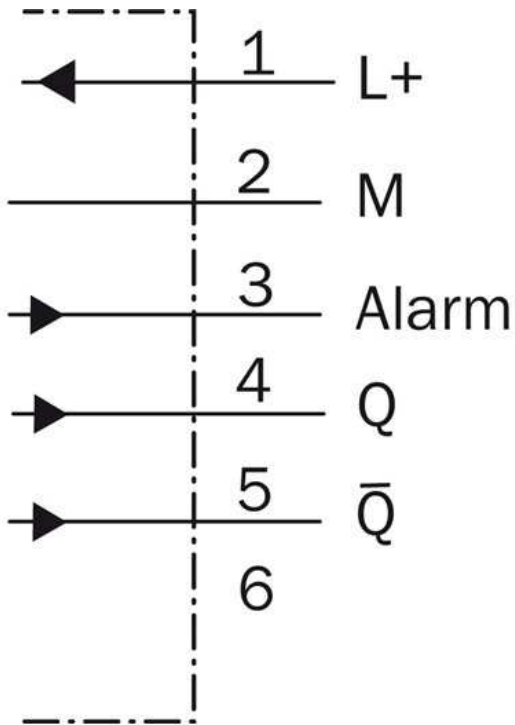


Adjustments possible

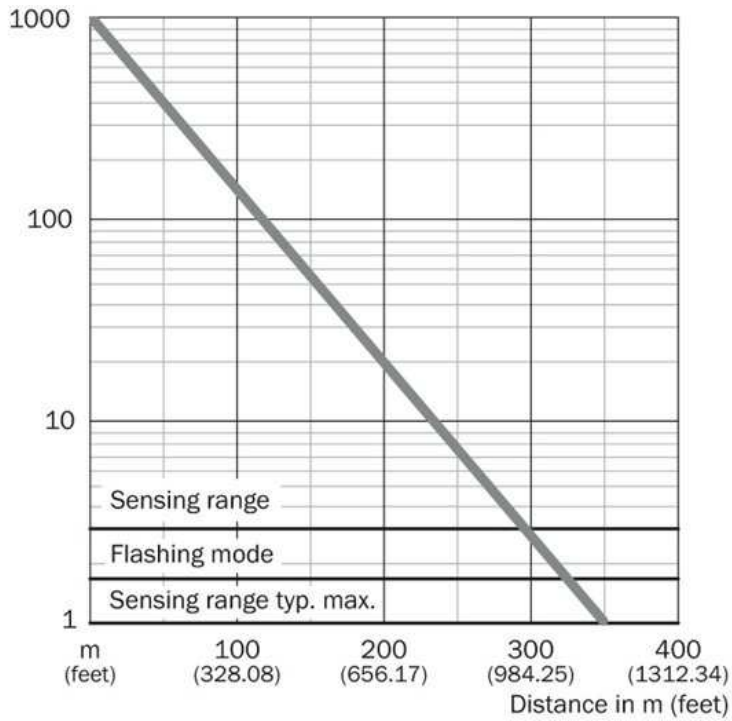
- |7| Sensitivity adjustment
- |8| Time control
- |9| time delay selector switch
- |10| terminal strip
- |11| Status indicator



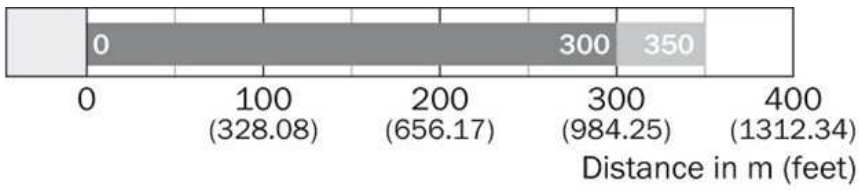
Connection diagram



Characteristic curve

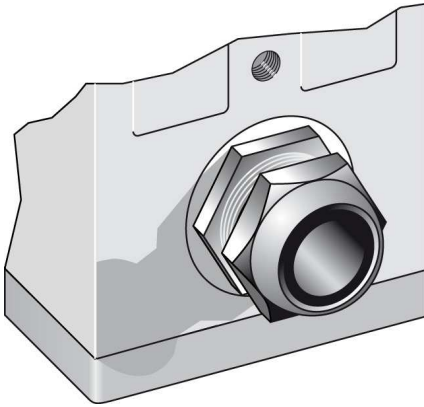


Sensing range diagram



■ Sensing range ■ Sensing range typ. max.

Connection type



Australia

Phone +61 3 9457 0600
1800 33 48 02 – tollfree
E-Mail sales@sick.com.au

Belgium/Luxembourg

Phone +32 (0)2 466 55 66
E-Mail info@sick.be

Brasil

Phone +55 11 3215-4900
E-Mail marketing@sick.com.br

Canada

Phone +1 905 771 14 44
E-Mail information@sick.com

Česká republika

Phone +420 2 57 91 18 50
E-Mail sick@sick.cz

China

Phone +86 4000 121 000
E-Mail info.china@sick.net.cn
Phone +852-2153 6300
E-Mail ghk@sick.com.hk

Danmark

Phone +45 45 82 64 00
E-Mail sick@sick.dk

Deutschland

Phone +49 211 5301-301
E-Mail info@sick.de

España

Phone +34 93 480 31 00
E-Mail info@sick.es

France

Phone +33 1 64 62 35 00
E-Mail info@sick.fr

Great Britain

Phone +44 (0)1727 831121
E-Mail info@sick.co.uk

India

Phone +91-22-4033 8333
E-Mail info@sick-india.com

Israel

Phone +972-4-6881000
E-Mail info@sick-sensors.com

Italia

Phone +39 02 27 43 41
E-Mail info@sick.it

Japan

Phone +81 (0)3 5309 2112
E-Mail support@sick.jp

Magyarország

Phone +36 1 371 2680
E-Mail office@sick.hu

Nederland

Phone +31 (0)30 229 25 44
E-Mail info@sick.nl

Norge

Phone +47 67 81 50 00
E-Mail sick@sick.no

Österreich

Phone +43 (0)22 36 62 28 8-0
E-Mail office@sick.at

Polska

Phone +48 22 837 40 50
E-Mail info@sick.pl

România

Phone +40 356 171 120
E-Mail office@sick.ro

Russia

Phone +7-495-775-05-30
E-Mail info@sick.ru

Schweiz

Phone +41 41 619 29 39
E-Mail contact@sick.ch

Singapore

Phone +65 6744 3732
E-Mail sales.gsg@sick.com

Slovenija

Phone +386 (0)1-47 69 990
E-Mail office@sick.si

South Africa

Phone +27 11 472 3733
E-Mail info@sickautomation.co.za

South Korea

Phone +82 2 786 6321/4
E-Mail info@sickkorea.net

Suomi

Phone +358-9-25 15 800
E-Mail sick@sick.fi

Sverige

Phone +46 10 110 10 00
E-Mail info@sick.se

Taiwan

Phone +886 2 2375-6288
E-Mail sales@sick.com.tw

Türkiye

Phone +90 (216) 528 50 00
E-Mail info@sick.com.tr

United Arab Emirates

Phone +971 (0) 4 88 65 878
E-Mail info@sick.ae

USA/México

Phone +1(952) 941-6780
1 (800) 325-7425 – tollfree
E-Mail info@sickusa.com

More representatives and agencies
at www.sick.com