



## Multiple light beam safety devices M2000 Standard A/P

M20Z-02550A120, PSR01-1501



**Sender/receiver in one housing**

Model Name > [M20Z-02550A120](#)  
Part No. > [1026510](#)

**Mirror**

Model Name > [PSR01-1501](#)  
Part No. > [1016677](#)



**At a glance**

- Type 2 (IEC 61496), PL d (EN ISO 13849)
- Robust, industrial housing
- 7-segment display
- Scanning range up to 6 m
- External device monitoring (EDM) and internal self-testing configurable without PC
- Economical active/passive variants minimize the wiring costs
- Standardized M12 connectivity is available

**Your benefits**

- Economical active/passive variants minimize the wiring costs and installation time
- Robust design with a high level of resistance to environmental changes ensures high machine availability, even under special ambient conditions
- Customer-friendly interfaces and status display simplify commissioning and maintenance
- Reduced downtime due to diagnostics displays located directly on the device
- Fast start-up times due to easy alignment using the optional laser alignment aid (separate accessories)



**Applications**

Access protection (vertical): ✓  
Hazardous area protection (horizontal): -

**Functions-Sender/receiver in one housing**

System construction: Active/passive system  
Restart interlock: -  
External device monitoring: -  
Beam coding: -  
Muting with: Flexi Classic, Flexi Soft

Configurable scanning range:	-
Configuration method:	hard wired
Self-testing:	✓
Safe device communication via EFI/SDL:	-

#### Technical Data-Sender/receiver in one housing

---

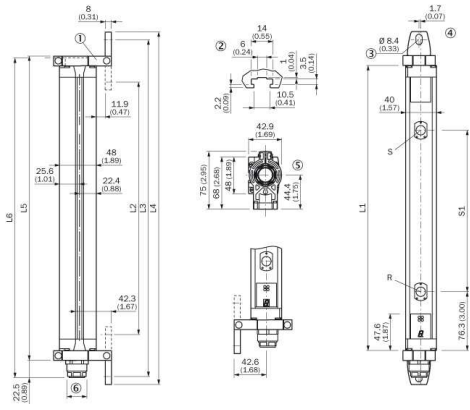
Number of beams:	1
Scanning range from ... to:	0 m ... 6 m
Type:	Type 2 (according to IEC 61496)
Safety integrity level:	SIL2 (IEC 61508), SILCL2 (EN 62061)
Category:	category 2 (EN ISO 13849)
Performance level:	PL d (EN ISO 13849)
PFHd:	2.2 * 1E-08
TM (mission time):	20 a
Housing cross-section:	48 mm x 40 mm
Maximum response time:	7 ms
Supply voltage typical, from, to:	24 V, 19.2 V, 28.8 V
Display elements:	7-segment
Maximum power consumption:	7.5 W
Maximum switching voltage:	Uv-2.25 V
Maximum switching current:	500 mA
Protection class:	III
Enclosure rating:	IP 65 (according to EN 60529)
System connection:	Hirschmann plug
Ambient operating temperature from ... to:	0 °C ... 55 °C
Maximum connection cable cross-section:	1 mm <sup>2</sup>
Vibration resistance (checked to):	5 g (IEC 68-2-6)
Oscillation frequency from ... to:	10 Hz ... 55 Hz
Shock resistance:	10 g, 16 ms (according to IEC 68-2-29)
Test rate (internal test):	13 /s (EN ISO 13849)
Maximum demand rate:	8 /min (EN ISO 13849)
Resolution:	500 mm

#### Technical Data-Mirror

---

Resolution:	500 mm
-------------	--------

# Dimensional drawing



**Australia**

Phone +61 3 9457 0600  
1800 33 48 02 – tollfree  
E-Mail sales@sick.com.au

**Belgium/Luxembourg**

Phone +32 (0)2 466 55 66  
E-Mail info@sick.be

**Brasil**

Phone +55 11 3215-4900  
E-Mail marketing@sick.com.br

**Canada**

Phone +1 905 771 14 44  
E-Mail information@sick.com

**Česká republika**

Phone +420 2 57 91 18 50  
E-Mail sick@sick.cz

**China**

Phone +86 4000 121 000  
E-Mail info.china@sick.net.cn  
Phone +852-2153 6300  
E-Mail ghk@sick.com.hk

**Danmark**

Phone +45 45 82 64 00  
E-Mail sick@sick.dk

**Deutschland**

Phone +49 211 5301-301  
E-Mail info@sick.de

**España**

Phone +34 93 480 31 00  
E-Mail info@sick.es

**France**

Phone +33 1 64 62 35 00  
E-Mail info@sick.fr

**Great Britain**

Phone +44 (0)1727 831121  
E-Mail info@sick.co.uk

**India**

Phone +91-22-4033 8333  
E-Mail info@sick-india.com

**Israel**

Phone +972-4-6881000  
E-Mail info@sick-sensors.com

**Italia**

Phone +39 02 27 43 41  
E-Mail info@sick.it

**Japan**

Phone +81 (0)3 5309 2112  
E-Mail support@sick.jp

**Magyarország**

Phone +36 1 371 2680  
E-Mail office@sick.hu

**Nederland**

Phone +31 (0)30 229 25 44  
E-Mail info@sick.nl

**Norge**

Phone +47 67 81 50 00  
E-Mail sick@sick.no

**Österreich**

Phone +43 (0)22 36 62 28 8-0  
E-Mail office@sick.at

**Polska**

Phone +48 22 837 40 50  
E-Mail info@sick.pl

**România**

Phone +40 356 171 120  
E-Mail office@sick.ro

**Russia**

Phone +7-495-775-05-30  
E-Mail info@sick.ru

**Schweiz**

Phone +41 41 619 29 39  
E-Mail contact@sick.ch

**Singapore**

Phone +65 6744 3732  
E-Mail sales.gsg@sick.com

**Slovenija**

Phone +386 (0)1-47 69 990  
E-Mail office@sick.si

**South Africa**

Phone +27 11 472 3733  
E-Mail info@sickautomation.co.za

**South Korea**

Phone +82 2 786 6321/4  
E-Mail info@sickkorea.net

**Suomi**

Phone +358-9-25 15 800  
E-Mail sick@sick.fi

**Sverige**

Phone +46 10 110 10 00  
E-Mail info@sick.se

**Taiwan**

Phone +886 2 2375-6288  
E-Mail sales@sick.com.tw

**Türkiye**

Phone +90 (216) 528 50 00  
E-Mail info@sick.com.tr

**United Arab Emirates**

Phone +971 (0) 4 88 65 878  
E-Mail info@sick.ae

**USA/México**

Phone +1(952) 941-6780  
1 (800) 325-7425 – tollfree  
E-Mail info@sickusa.com

More representatives and agencies  
at [www.sick.com](http://www.sick.com)