



Mid range distance sensors  
Dx60, DS60

DS60-P41111



**Model Name** > **DS60-P41111**  
**Part No.** > **1016687**



**At a glance**

- Measuring range up to 6 m on target and 20 m on reflector
- Safe background suppression of any object in the back (up to 100 m)
- Two invertible switching outputs
- Time-of-flight technology for reliable results
- Precise alignment with red laser light
- Teach-in

**Your benefits**

- Durable, lightweight housing withstands harsh environments
- Easy one-button teach-in offers fast commissioning
- High switching accuracy increases process reliability, ensuring higher productivity and better quality
- Different measurement options (on object, on reflector or foreground suppression) ensure flexible use and highest reliability within the application
- Both red and infrared laser models enable users to choose the best light source for their application - visible or invisible
- The two switching outputs of the DS60 reduce investment and commissioning costs



**Performance**

Measurement range <sup>1)</sup> ; <sup>2)</sup> ; <sup>3)</sup> :	80 mm ... 2,600 mm, 6 % remission 80 mm ... 5,000 mm, 18 % remission 80 mm ... 6,000 mm, 90 % remission
Response time:	50 ms
Switching frequency:	10 Hz
Light source:	Laser, infrared
Typ. light spot size (distance):	60 mm x 60 mm (at 6 m)
Additional function:	Switching output invertible
Laser class:	1 (EN 60825-1)
Laser service life (MTTF at 25 °C):	50,000 h

<sup>1) 2) 3)</sup> Teach-in from 200 ... 6,000 mm

**Interfaces**

Output type <sup>1)</sup> ; <sup>2)</sup> :	2x PNP (100 mA)
---	-----------------

1) Output Q short-circuit protected 2) PNP: HIGH =  $V_S - (< 2.5 V)$ /LOW = 0 V

### Mechanics/electronics

Supply voltage $V_S$ <sup>1)</sup> :	DC 18 V ... 30 V
Ripple <sup>2)</sup> :	≤ 5 Vpp
Power consumption <sup>3)</sup> :	≤ 3 W
Connection type:	Male connector, M12, 5-pin
Weight:	202 g

1) Limit values, reverse-polarity protected, operation in short-circuit protected network: max. 8 A 2) May not fall short of or exceed  $V_S$  tolerances 3) Without load

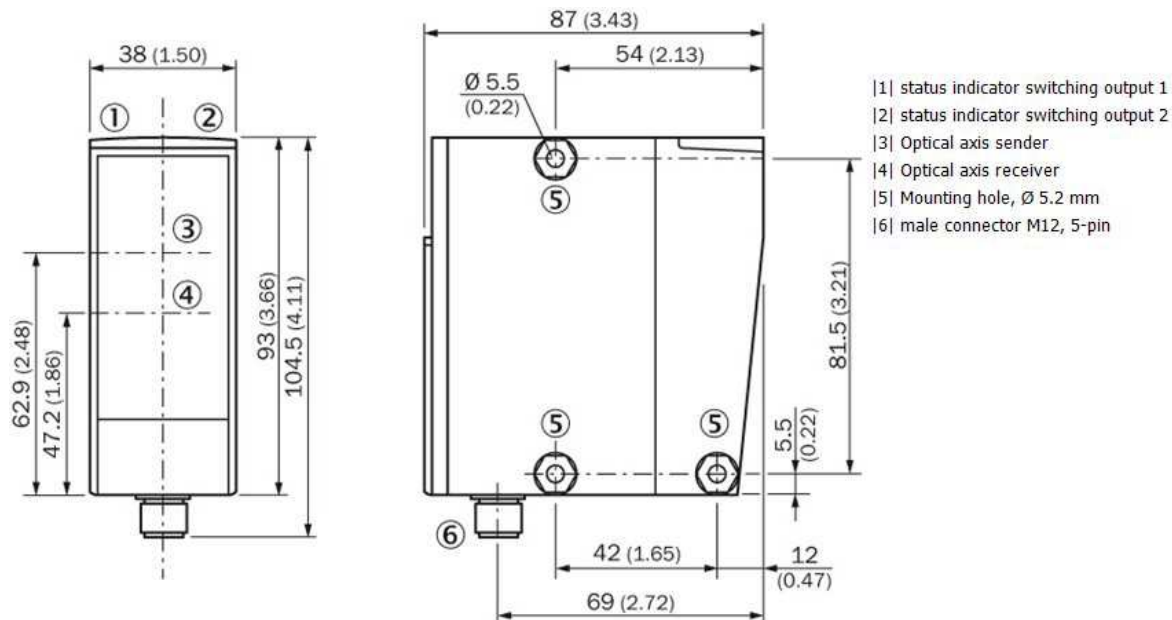
### Ambient data

Enclosure rating:	IP 67
Protection class:	II
Ambient temperature:	Operation: -25 ... +55 °C, Storage: -25 ... +75 °C
Electromagnetic compatibility (EMC):	EN 61000-6-2/EN 60947-5-2

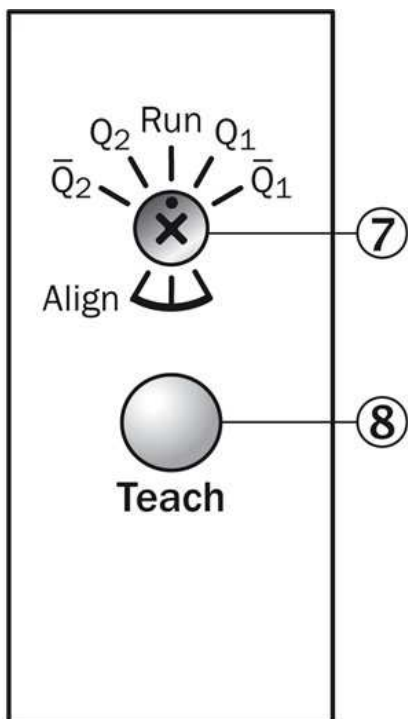
### General notes

Life cycle phase:	Phased out
-------------------	------------

### Dimensional drawing

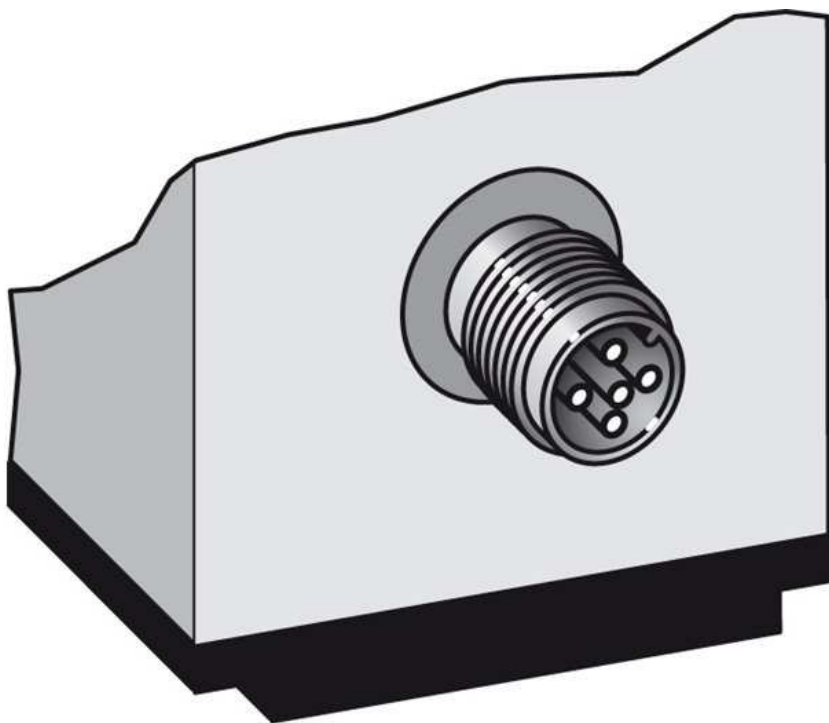


Adjustment possible

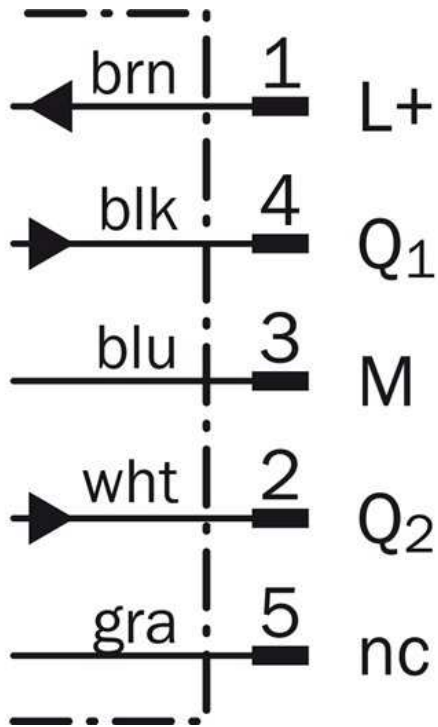


|7| rotary switch  
|8| Control element

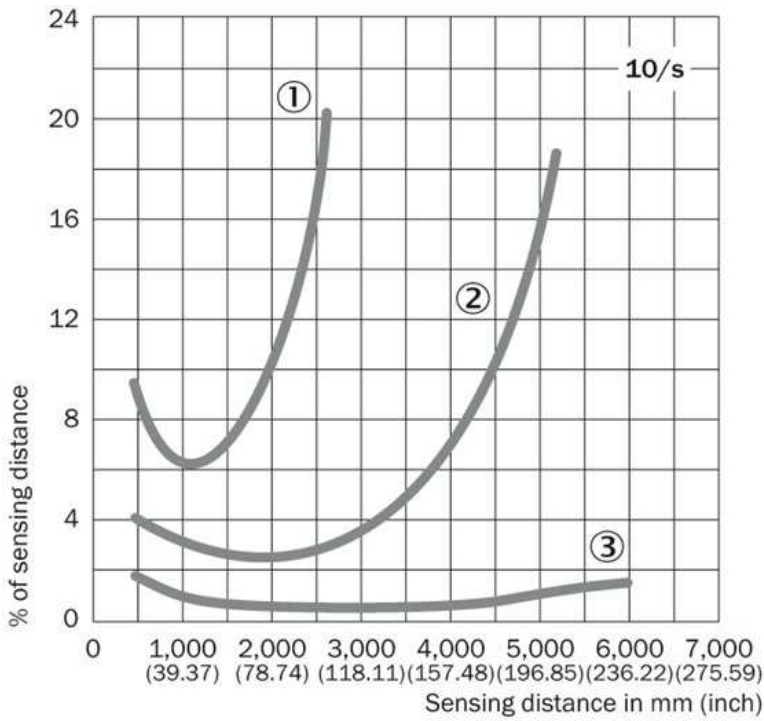
Connection type



Connection diagram



Sensing distance



- |1| 6 % / 90 %
- |2| 18 % / 90 %
- |3| 90 % / 90 %

**Australia**

Phone +61 3 9457 0600  
1800 33 48 02 – tollfree  
E-Mail sales@sick.com.au

**Belgium/Luxembourg**

Phone +32 (0)2 466 55 66  
E-Mail info@sick.be

**Brasil**

Phone +55 11 3215-4900  
E-Mail marketing@sick.com.br

**Canada**

Phone +1 905 771 14 44  
E-Mail information@sick.com

**Česká republika**

Phone +420 2 57 91 18 50  
E-Mail sick@sick.cz

**China**

Phone +86 4000 121 000  
E-Mail info.china@sick.net.cn  
Phone +852-2153 6300  
E-Mail ghk@sick.com.hk

**Danmark**

Phone +45 45 82 64 00  
E-Mail sick@sick.dk

**Deutschland**

Phone +49 211 5301-301  
E-Mail info@sick.de

**España**

Phone +34 93 480 31 00  
E-Mail info@sick.es

**France**

Phone +33 1 64 62 35 00  
E-Mail info@sick.fr

**Great Britain**

Phone +44 (0)1727 831121  
E-Mail info@sick.co.uk

**India**

Phone +91-22-4033 8333  
E-Mail info@sick-india.com

**Israel**

Phone +972-4-6881000  
E-Mail info@sick-sensors.com

**Italia**

Phone +39 02 27 43 41  
E-Mail info@sick.it

**Japan**

Phone +81 (0)3 5309 2112  
E-Mail support@sick.jp

**Magyarország**

Phone +36 1 371 2680  
E-Mail office@sick.hu

**Nederland**

Phone +31 (0)30 229 25 44  
E-Mail info@sick.nl

**Norge**

Phone +47 67 81 50 00  
E-Mail sick@sick.no

**Österreich**

Phone +43 (0)22 36 62 28 8-0  
E-Mail office@sick.at

**Polska**

Phone +48 22 837 40 50  
E-Mail info@sick.pl

**România**

Phone +40 356 171 120  
E-Mail office@sick.ro

**Russia**

Phone +7-495-775-05-30  
E-Mail info@sick.ru

**Schweiz**

Phone +41 41 619 29 39  
E-Mail contact@sick.ch

**Singapore**

Phone +65 6744 3732  
E-Mail sales.gsg@sick.com

**Slovenija**

Phone +386 (0)1-47 69 990  
E-Mail office@sick.si

**South Africa**

Phone +27 11 472 3733  
E-Mail info@sickautomation.co.za

**South Korea**

Phone +82 2 786 6321/4  
E-Mail info@sickkorea.net

**Suomi**

Phone +358-9-25 15 800  
E-Mail sick@sick.fi

**Sverige**

Phone +46 10 110 10 00  
E-Mail info@sick.se

**Taiwan**

Phone +886 2 2375-6288  
E-Mail sales@sick.com.tw

**Türkiye**

Phone +90 (216) 528 50 00  
E-Mail info@sick.com.tr

**United Arab Emirates**

Phone +971 (0) 4 88 65 878  
E-Mail info@sick.ae

**USA/México**

Phone +1(952) 941-6780  
1 (800) 325-7425 – tollfree  
E-Mail info@sickusa.com

More representatives and agencies  
at [www.sick.com](http://www.sick.com)