



Optical data transmission  
ISD280, RS-422/-485  
PROFIBUS DP

ISD280-1112



**Model Name** > ISD280-1112  
**Part No.** > 1017047



### Performance

Light source:	Infrared LED (860 nm)
Heating:	-
Typ. light spot size (distance):	1.4 m (at 100 m)
Transmission range:	0.2 m ... 150 m
Field of view:	Ca. $\pm 0.4^\circ$

### Interfaces

Data transmission rate:	1.5 MBaud
Output type:	VS - 2 V: interference-free operation, Iout = 20 mA
Switching input:	Vs: sender deactivated
Signal delay:	$\leq 2 \mu\text{s}$
Data interface:	RS-422/-485 PROFIBUS DP

### Mechanics/electronics

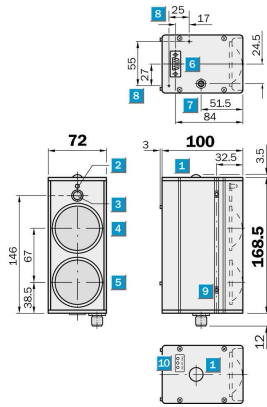
Supply voltage Vs:	DC 24 V, +20%/-5% (with heating), DC 24 V, $\pm 20\%$ (without heating)
Current consumption:	With heating $\leq 2.5$ A, Without heating $\leq 0.4$ A
Weight:	1 kg
Housing material:	Metal
Connection type:	Socket, Sub-D, 9-pin, Connector, M12, 5-pin

### Ambient data

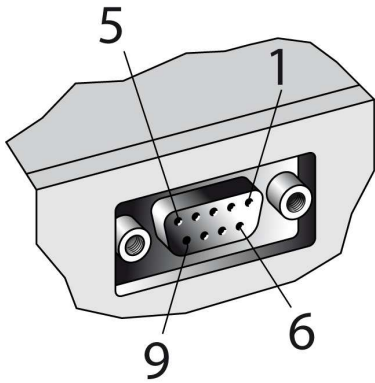
Enclosure rating:	IP 54
Protection class:	III
Electromagnetic compatibility (EMC):	EN 61000-6-2/EN 61000-6-4
Ambient temperature:	Operation with heating: $-38 \dots 40^\circ\text{C}$ , Operation without heating: $0 \dots 40^\circ\text{C}$ , Storage: $-20 \dots 70^\circ\text{C}$
Max. rel. humidity (not condensing):	$\pm 90\%$ , non-condensing

<sup>1)</sup> 1.5 MBd to max.  $+40^\circ\text{C}$ ,  $\leq 0.5$  MBd to max.  $+55^\circ\text{C}$

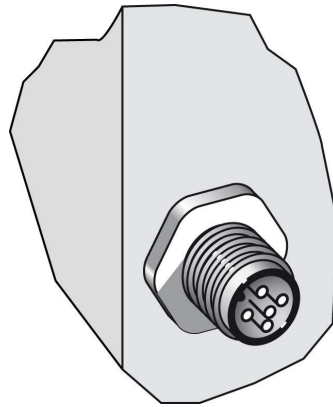
### Dimensional drawing



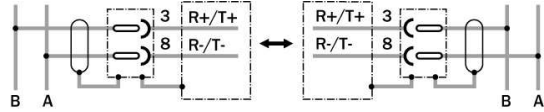
### Connection type, data interface



### Connection type, connector



### Data interface Profibus (L2-DP)



**Australia**

Phone +61 3 9457 0600  
1800 33 48 02 – tollfree  
E-Mail sales@sick.com.au

**Belgium/Luxembourg**

Phone +32 (0)2 466 55 66  
E-Mail info@sick.be

**Brasil**

Phone +55 11 3215-4900  
E-Mail marketing@sick.com.br

**Canada**

Phone +1 905 771 14 44  
E-Mail information@sick.com

**Česká republika**

Phone +420 2 57 91 18 50  
E-Mail sick@sick.cz

**China**

Phone +86 4000 121 000  
E-Mail info.china@sick.net.cn  
Phone +852-2153 6300  
E-Mail ghk@sick.com.hk

**Danmark**

Phone +45 45 82 64 00  
E-Mail sick@sick.dk

**Deutschland**

Phone +49 211 5301-301  
E-Mail info@sick.de

**España**

Phone +34 93 480 31 00  
E-Mail info@sick.es

**France**

Phone +33 1 64 62 35 00  
E-Mail info@sick.fr

**Great Britain**

Phone +44 (0)1727 831121  
E-Mail info@sick.co.uk

**India**

Phone +91-22-4033 8333  
E-Mail info@sick-india.com

**Israel**

Phone +972-4-6881000  
E-Mail info@sick-sensors.com

**Italia**

Phone +39 02 27 43 41  
E-Mail info@sick.it

**Japan**

Phone +81 (0)3 5309 2112  
E-Mail support@sick.jp

**Magyarország**

Phone +36 1 371 2680  
E-Mail office@sick.hu

**Nederland**

Phone +31 (0)30 229 25 44  
E-Mail info@sick.nl

**Norge**

Phone +47 67 81 50 00  
E-Mail sick@sick.no

**Österreich**

Phone +43 (0)22 36 62 28 8-0  
E-Mail office@sick.at

**Polska**

Phone +48 22 837 40 50  
E-Mail info@sick.pl

**România**

Phone +40 356 171 120  
E-Mail office@sick.ro

**Russia**

Phone +7-495-775-05-30  
E-Mail info@sick.ru

**Schweiz**

Phone +41 41 619 29 39  
E-Mail contact@sick.ch

**Singapore**

Phone +65 6744 3732  
E-Mail sales.gsg@sick.com

**Slovenija**

Phone +386 (0)1-47 69 990  
E-Mail office@sick.si

**South Africa**

Phone +27 11 472 3733  
E-Mail info@sickautomation.co.za

**South Korea**

Phone +82 2 786 6321/4  
E-Mail info@sickkorea.net

**Suomi**

Phone +358-9-25 15 800  
E-Mail sick@sick.fi

**Sverige**

Phone +46 10 110 10 00  
E-Mail info@sick.se

**Taiwan**

Phone +886 2 2375-6288  
E-Mail sales@sick.com.tw

**Türkiye**

Phone +90 (216) 528 50 00  
E-Mail info@sick.com.tr

**United Arab Emirates**

Phone +971 (0) 4 88 65 878  
E-Mail info@sick.ae

**USA/México**

Phone +1(952) 941-6780  
1 (800) 325-7425 – tollfree  
E-Mail info@sickusa.com

More representatives and agencies  
at [www.sick.com](http://www.sick.com)