



Magnetic Cylinder Sensors Weld immune

MZU2-03VPS-DCM



Model Name > [MZU2-03VPS-DCM](#)
Part No. > [1017450](#)



At a glance

- Immune to all welding electrical fields: AC, DC, medium frequency (1,000 Hz)
- Output state is maintained during the welding process; sensor is switchable again once welding is completed
- 2 LEDs: yellow status indicator, green status indicator
- Flexible mounting options for various cylinder types due to mounting adapters: tie-rod and integrated profile cylinders, T-slot and short-stroke cylinders

Your benefits

- Reliable cylinder position detection in welding environments that increases uptime
- Increased sensor life reduces maintenance costs due to tough metal housing with optional weld slag-immune Teflon™ coating
- Special weld-field immunity (WFI) sensor is immune to all electrical welding processes (AC, DC or medium frequency), which increases sensor life and reduces false signals



Features

Switching frequency typ.:	40 Hz
Output type:	PNP
Output function:	NO
Electrical wiring:	DC 3-wire
Cylinder types with adapter:	Profile cylinder T-slot Tie rod cylinder
Housing length:	48 mm
Enclosure rating:	IP 67 ¹⁾

¹⁾ According to EN 60529

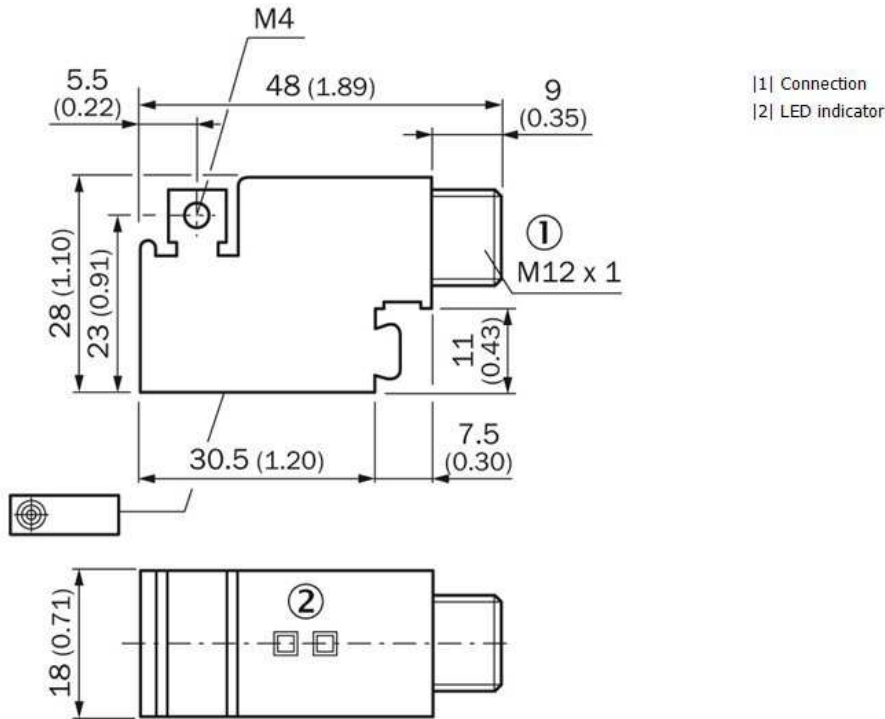
Mechanics/electronics

Connection type:	Connector M12, 4-pin
Dimensions (W x H x D):	18 mm x 48 mm x 28 mm
Thread size:	M12
Supply voltage:	10 V DC ... 30 V DC
Current consumption:	≤ 18 mA ¹⁾
Voltage drop:	≤ 2 V
Output current I _a :	≤ 300 mA
EMC:	According to EN 60947-5-2
Reverse polarity protection:	✓

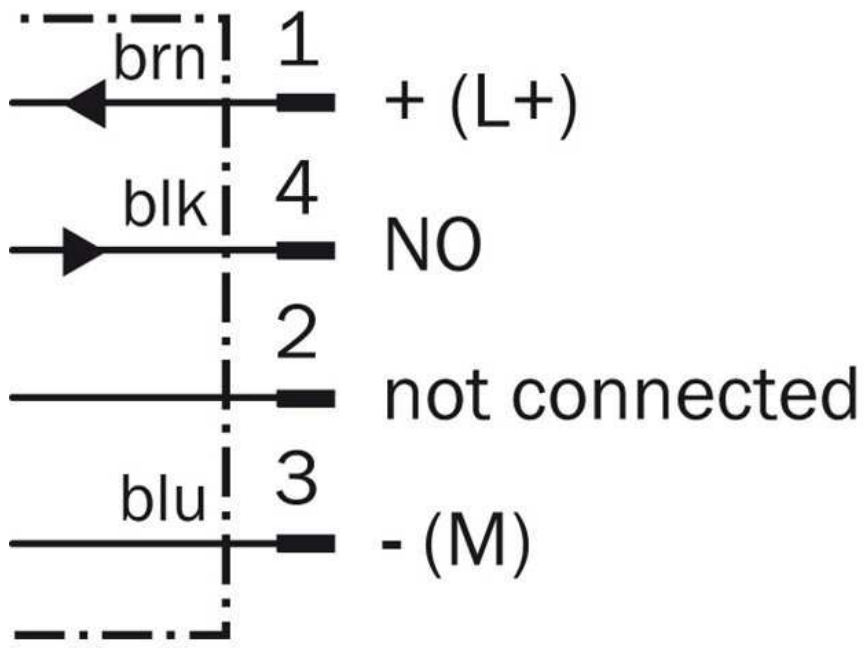
Short-circuit protection:	✓
Housing material:	Metal, Zinc diecast
Sensing face material:	Metal
Power-up pulse protection:	✓
Time delay before availability:	≤ 20 ms
Repeatability:	≤ 0.1 mm ²⁾
Shock and vibration resistance:	30 g, 11 ms/10 ... 55 Hz, 1 mm
Ambient operating temperature:	-25 °C ... +75 °C
Protection class:	III
Magnetic field sensitivity, typ.:	≤ 3 mT

1) Without load 2) Ub and Ta constant

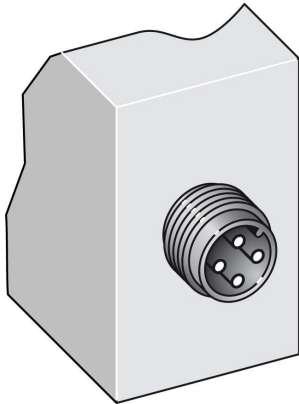
Dimensional drawing



Connection diagram



Connection type



Australia

Phone +61 3 9457 0600
1800 33 48 02 – tollfree
E-Mail sales@sick.com.au

Belgium/Luxembourg

Phone +32 (0)2 466 55 66
E-Mail info@sick.be

Brasil

Phone +55 11 3215-4900
E-Mail marketing@sick.com.br

Canada

Phone +1 905 771 14 44
E-Mail information@sick.com

Česká republika

Phone +420 2 57 91 18 50
E-Mail sick@sick.cz

China

Phone +86 4000 121 000
E-Mail info.china@sick.net.cn
Phone +852-2153 6300
E-Mail ghk@sick.com.hk

Danmark

Phone +45 45 82 64 00
E-Mail sick@sick.dk

Deutschland

Phone +49 211 5301-301
E-Mail info@sick.de

España

Phone +34 93 480 31 00
E-Mail info@sick.es

France

Phone +33 1 64 62 35 00
E-Mail info@sick.fr

Great Britain

Phone +44 (0)1727 831121
E-Mail info@sick.co.uk

India

Phone +91-22-4033 8333
E-Mail info@sick-india.com

Israel

Phone +972-4-6881000
E-Mail info@sick-sensors.com

Italia

Phone +39 02 27 43 41
E-Mail info@sick.it

Japan

Phone +81 (0)3 5309 2112
E-Mail support@sick.jp

Magyarország

Phone +36 1 371 2680
E-Mail office@sick.hu

Nederland

Phone +31 (0)30 229 25 44
E-Mail info@sick.nl

Norge

Phone +47 67 81 50 00
E-Mail sick@sick.no

Österreich

Phone +43 (0)22 36 62 28 8-0
E-Mail office@sick.at

Polska

Phone +48 22 837 40 50
E-Mail info@sick.pl

România

Phone +40 356 171 120
E-Mail office@sick.ro

Russia

Phone +7-495-775-05-30
E-Mail info@sick.ru

Schweiz

Phone +41 41 619 29 39
E-Mail contact@sick.ch

Singapore

Phone +65 6744 3732
E-Mail sales.gsg@sick.com

Slovenija

Phone +386 (0)1-47 69 990
E-Mail office@sick.si

South Africa

Phone +27 11 472 3733
E-Mail info@sickautomation.co.za

South Korea

Phone +82 2 786 6321/4
E-Mail info@sickkorea.net

Suomi

Phone +358-9-25 15 800
E-Mail sick@sick.fi

Sverige

Phone +46 10 110 10 00
E-Mail info@sick.se

Taiwan

Phone +886 2 2375-6288
E-Mail sales@sick.com.tw

Türkiye

Phone +90 (216) 528 50 00
E-Mail info@sick.com.tr

United Arab Emirates

Phone +971 (0) 4 88 65 878
E-Mail info@sick.ae

USA/México

Phone +1(952) 941-6780
1 (800) 325-7425 – tollfree
E-Mail info@sickusa.com

More representatives and agencies
at www.sick.com