



Photoelectric sensors
W24-2, Photoelectric retro-reflective sensor,
Standard optics

WL24-2V240



Model Name > [WL24-2V240](#)
Part No. > [1018024](#)



Illustration may differ

At a glance

- Metal housing that has been IP 69k tested
- Switch selectable PNP or NPN output
- Switch selectable Light or Dark operating mode
- Variants with DC voltage and universal AC/DC voltage with UL approval
- Optional test input, adjustable ON and OFF time delays, alarm output and front screen heating
- M12 or terminal chamber connection: 90° rotatable

Your benefits

- Metal housing that has been IP 69K tested provides reliability and a long service life
- High operating reserve at a long sensing range reduces downtime
- Alarm output signals marginal operation to provide an early warning
- Test input provides diagnostic feedback for example misalignment
- Selectable output type, operating mode, and adjustable time delays makes integration easier and reduce the number of devices needed
- Ensuring reliable operation in environments with temperatures fluctuation due to standard or high-power front lens heating (prevention and reduction of condensation water on the front lens)
- Variants with DC voltage and universal AC/DC voltage provide installation flexibility
- Red light provides easy alignment, which saves time



Features

Sensor/detection principle:	Photoelectric retro-reflective sensor, Standard optics
Dimensions (W x H x D):	27 mm x 87.5 mm x 65 mm
Housing design (light emission):	Rectangular
Sensing range max.:	0 m ... 22 m ¹⁾
Sensing range:	0 m ... 15 m ²⁾
Type of light:	Visible red light
Light source:	LED ³⁾
Time type:	On delay off delay
Delay time:	Adjustable via time delay selector switch: 0.5 ... 10 s
Alarm output:	✓
Adjustment:	Sensitivity adjustment
Light spot size (distance):	Ø 250 mm (15 m)

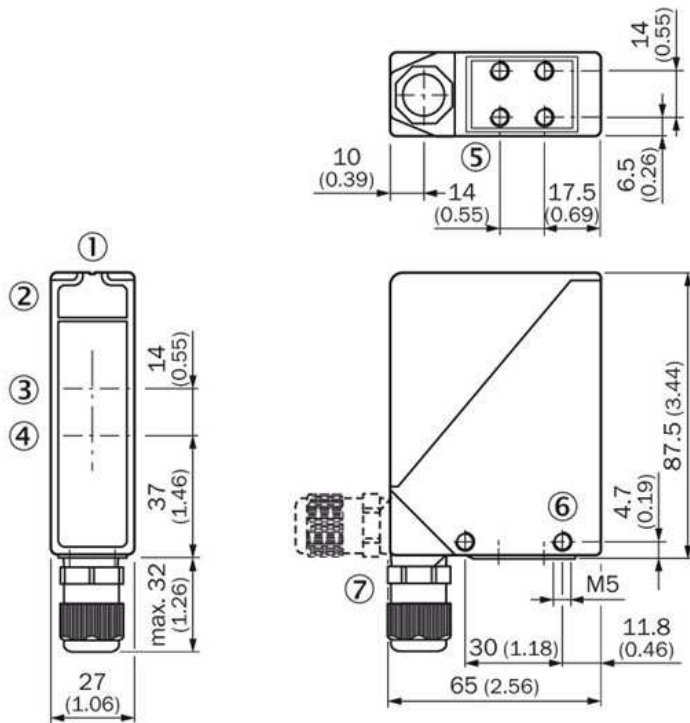
1) 2) PL80A 3) Average service life of 100,000 h at $T_A = +25\text{ °C}$

Mechanics/electronics

Supply voltage:	10 V DC ... 30 V DC ¹⁾
Ripple:	< 5 Vpp ²⁾
Current consumption:	≤ 150 mA ³⁾
Output type:	NPN, PNP
Switching mode:	Light/dark switching
Switching mode selector:	Selectable via light/dark selector, Selectable via NPN/PNP selector
Output current I _{max} :	≤ 100 mA
Response time:	≤ 500 μs ⁴⁾
Switching frequency:	1,000 Hz ⁵⁾
Connection type:	Terminal connection with M16 gland ⁶⁾
Circuit protection:::	A, C, D ^{7) 8) 9)}
Protection class:	II ¹⁰⁾
Weight:	330 g
Polarisation filter:	✓
Front screen heating:	✓
Housing material:	Metal, Zinc diecast
Optics material:	PMMA
Enclosure rating:	IP 69K
Test input sender off:	TE to 0 V
Ambient operating temperature:	-40 °C ... +60 °C
Ambient storage temperature:	-40 °C ... +75 °C
UL File No.:	NRKH.E181493 & NRKH7.E181493

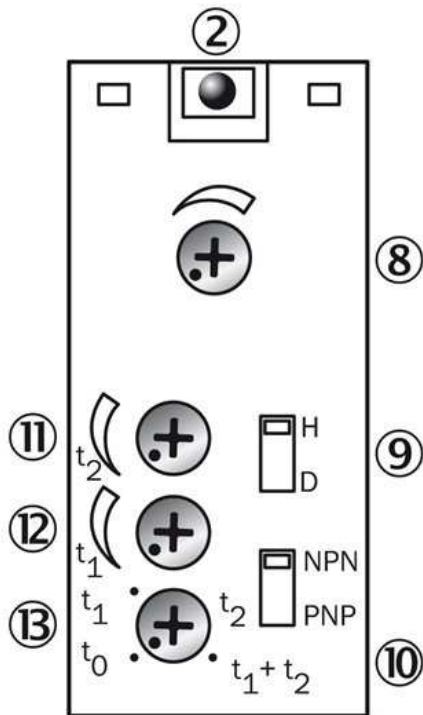
1) Limit values, operation in short-circuit protected network max. 8 A 2) May not exceed or fall short of V_S tolerances 3) Without load 4) Signal transit time with resistive load 5) With light/dark ratio 1:1 6) Connection rotatable by 90° 7) $A = V_S$ connections reverse-polarity protected 8) C = interference suppression 9) D = outputs overcurrent and short-circuit protected 10) Reference voltage: 50 V DC

Dimensional drawing



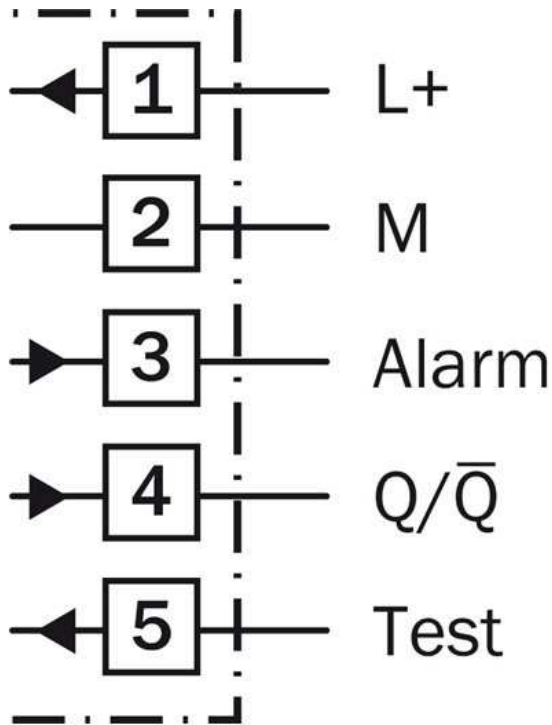
- |1| Alignment sight
- |2| LED signal strength indicator
- |3| Center of optical axis, sender
- |4| Center of optical axis, receiver
- |5| M5 threaded mounting hole, 6 mm deep
- |6| M5 threaded mounting hole, through-hole
- |7| M16 screw fixing and plug rotatable by 90°

Adjustments possible

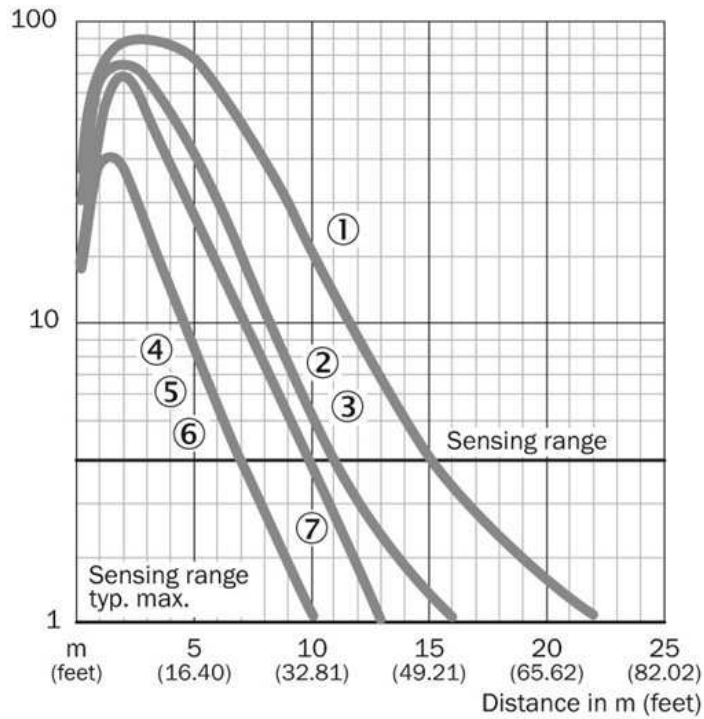


- |2| LED signal strength indicator
- |8| Sensitivity adjustment
- |9| Light/dark selector
- |10| NPN/ PNP selector
- |11| Time control t_2 =OFF-delay
- |12| Time control t_1 =ON-delay
- |13| time delay selector switch

Connection diagram

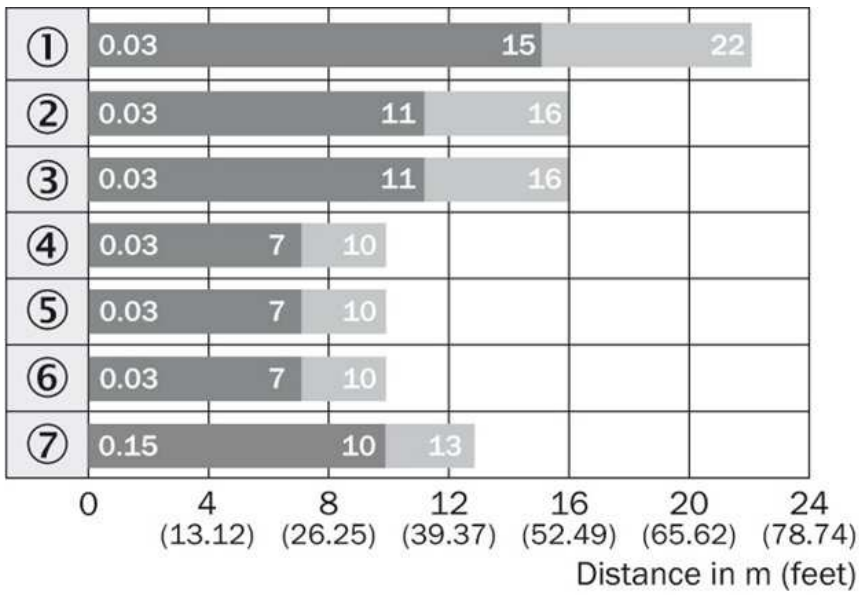


Characteristic curve



- |1| PL80A
- |2| PL50A
- |3| PL40A
- |4| PL30A
- |5| PL20A
- |6| Reflective tape Diamond Grade
- |7| C110A

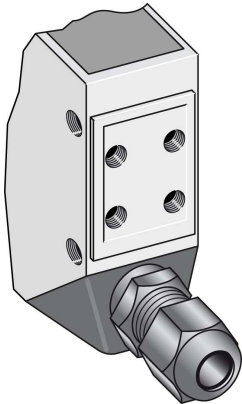
Sensing range diagram



- |1| PL80A
- |2| PL50A
- |3| PL40A
- |4| PL30A
- |5| PL20A
- |6| Reflective tape Diamond Grade
- |7| C110A

■ Sensing range ■ Sensing range max.

Connection type



Australia

Phone +61 3 9457 0600
1800 33 48 02 – tollfree
E-Mail sales@sick.com.au

Belgium/Luxembourg

Phone +32 (0)2 466 55 66
E-Mail info@sick.be

Brasil

Phone +55 11 3215-4900
E-Mail marketing@sick.com.br

Canada

Phone +1 905 771 14 44
E-Mail information@sick.com

Česká republika

Phone +420 2 57 91 18 50
E-Mail sick@sick.cz

China

Phone +86 4000 121 000
E-Mail info.china@sick.net.cn
Phone +852-2153 6300
E-Mail ghk@sick.com.hk

Danmark

Phone +45 45 82 64 00
E-Mail sick@sick.dk

Deutschland

Phone +49 211 5301-301
E-Mail info@sick.de

España

Phone +34 93 480 31 00
E-Mail info@sick.es

France

Phone +33 1 64 62 35 00
E-Mail info@sick.fr

Great Britain

Phone +44 (0)1727 831121
E-Mail info@sick.co.uk

India

Phone +91-22-4033 8333
E-Mail info@sick-india.com

Israel

Phone +972-4-6881000
E-Mail info@sick-sensors.com

Italia

Phone +39 02 27 43 41
E-Mail info@sick.it

Japan

Phone +81 (0)3 5309 2112
E-Mail support@sick.jp

Magyarország

Phone +36 1 371 2680
E-Mail office@sick.hu

Nederland

Phone +31 (0)30 229 25 44
E-Mail info@sick.nl

Norge

Phone +47 67 81 50 00
E-Mail sick@sick.no

Österreich

Phone +43 (0)22 36 62 28 8-0
E-Mail office@sick.at

Polska

Phone +48 22 837 40 50
E-Mail info@sick.pl

România

Phone +40 356 171 120
E-Mail office@sick.ro

Russia

Phone +7-495-775-05-30
E-Mail info@sick.ru

Schweiz

Phone +41 41 619 29 39
E-Mail contact@sick.ch

Singapore

Phone +65 6744 3732
E-Mail sales.gsg@sick.com

Slovenija

Phone +386 (0)1-47 69 990
E-Mail office@sick.si

South Africa

Phone +27 11 472 3733
E-Mail info@sickautomation.co.za

South Korea

Phone +82 2 786 6321/4
E-Mail info@sickkorea.net

Suomi

Phone +358-9-25 15 800
E-Mail sick@sick.fi

Sverige

Phone +46 10 110 10 00
E-Mail info@sick.se

Taiwan

Phone +886 2 2375-6288
E-Mail sales@sick.com.tw

Türkiye

Phone +90 (216) 528 50 00
E-Mail info@sick.com.tr

United Arab Emirates

Phone +971 (0) 4 88 65 878
E-Mail info@sick.ae

USA/México

Phone +1(952) 941-6780
1 (800) 325-7425 – tollfree
E-Mail info@sickusa.com

More representatives and agencies
at www.sick.com