



## Contrast sensors KT3, KT3

KT3W-P1116



**Model Name** > [KT3W-P1116](#)  
**Part No.** > [1019338](#)



**At a glance**

- Very small housing
- 3-color RGB technology or white LED
- Simple teach-in (when machine is stopped or during operation)
- Integrated switching threshold adjustment for high-gloss objects
- Reliable operation for jittering materials
- Switching frequency of 10 kHz

**Your benefits**

- Compact design fits in applications with limited space
- 3-color RGB technology enables universal operation with an extremely wide range of weak contrast combinations
- White LED model detects several different marks
- Simple teach-in to optimally set transmission color, switching point and surface shine
- Very good contrast resolution for detecting print marks, even where the variation between the mark and the background is minimal
- Automatic adaptation for high-gloss objects ensures high throughput
- Reliable operation for jittering materials
- Accurate positioning in rapid production processes

**The product is currently being phased out and can be ordered until December 31, 2015. Please contact your SICK sales representative for more information about a replacement product. For new projects please select a product out of the KTM family.**



**Features**

Sensing distance:	12.5 mm
Sensing distance tolerance:	± 2 mm
Light source <sup>1)</sup> :	LED
Wave length:	470 nm, 525 nm, 640 nm
Light spot size:	1.5 mm x 6.5 mm
Light spot direction <sup>2)</sup> :	Vertical
Type of light:	Visible blue light, Visible green light, Visible red light
Dimensions (W x H x D):	12 mm x 40 mm x 22 mm
Housing design (light emission):	Rectangular
Teach-in mode:	Static 2-point teach-in

1) Average service life of 100,000 h at  $T_A = +25\text{ °C}$  2) In relation to long side of housing

## Mechanics/electronics

---

Ripple <sup>1)</sup> :	≤ 5 Vpp
Current consumption <sup>2)</sup> :	< 35 mA
Switching frequency <sup>3)</sup> :	10 kHz
Response time <sup>4)</sup> :	50 μs
Output type:	PNP: HIGH = VS- ≤ 2 V / LOW approx. 0 V
Switching mode:	PNP
Input, teach-in (ET):	PNP: Run: U < 2 V, Teach: U = 10 V ... < U <sub>V</sub>
Retention time (ET):	25 ms, non-volatile memory
Connection type:	Connector M12, 4-pin
Protection class <sup>5)</sup> :	II
Circuit protection:	Output Q short-circuit protected, Interference suppression, VS connections reverse-polarity protected
Enclosure rating:	IP 67, IP 67
Weight:	11 g
Housing material:	ABS, Plastic
Output current I <sub>max</sub> :	100 mA
Supply voltage:	12 V DC ... 24 V DC <sup>6)</sup>
Fieldbus interface:	-

1) May not exceed or fall short of V<sub>S</sub> tolerances 2) Without load 3) With light/dark ratio 1:1 4) Signal transit time with resistive load 5) Reference voltage DC 50 V 6)

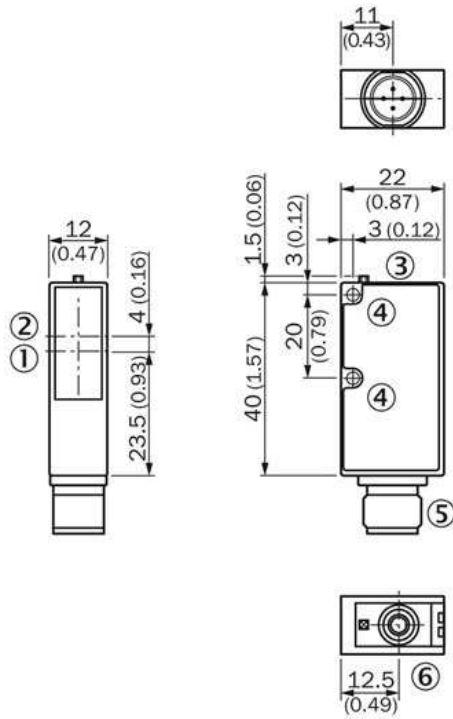
Limit values: DC 12 V (-10 %) ... DC 24 V (+20 %). Operation in short-circuit protected network max. 8 A

## Ambient data

---

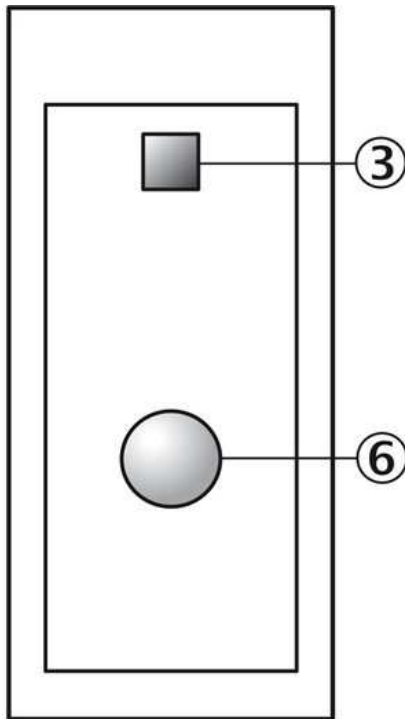
Shock load:	According to IEC 60068
UL File No.:	NRKH.E181493 & NRKH7.E181493
Ambient operating temperature:	-10 °C ... +55 °C
Ambient storage temperature:	-20 °C ... +75 °C

**Dimensional drawing**



- |1| Center of optical axis, sender
- |2| Center of optical axis, receiver
- |3| LED signal strength indicator
- |4| Mounting hole, Ø 3 mm
- |5| Connector M12
- |6| Teach-in button

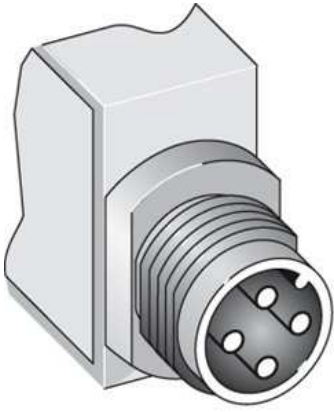
**Adjustments**



- |3| LED signal strength indicator
- |6| Teach-in button

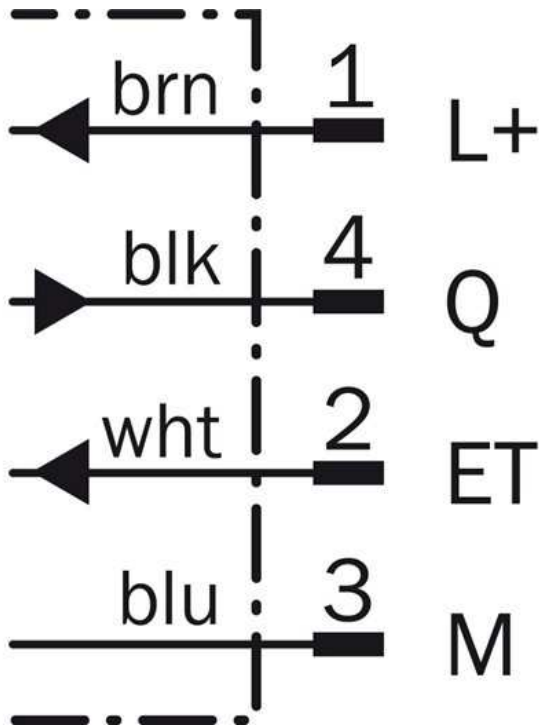
Connection type

---



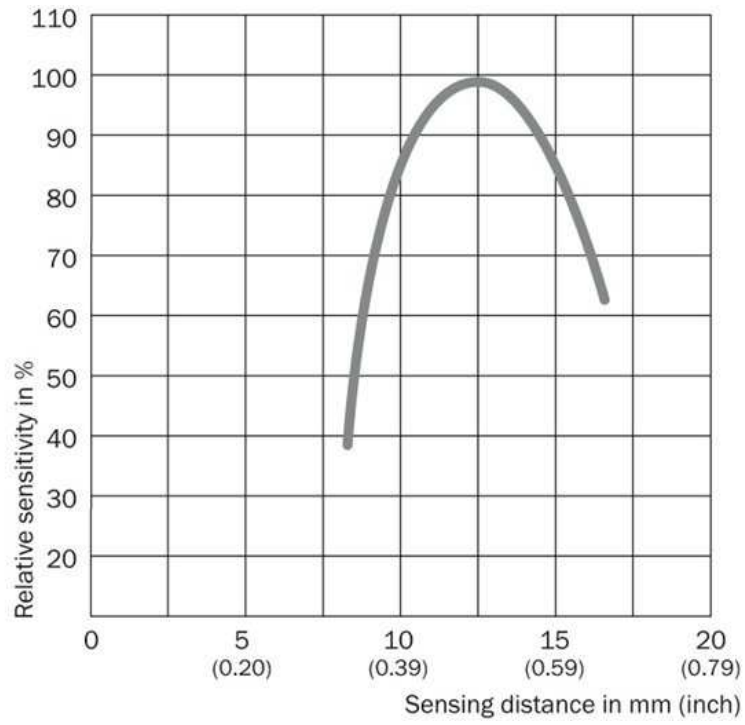
Connection diagram

---



## Sensing distance

---



**Australia**

Phone +61 3 9457 0600  
1800 33 48 02 – tollfree  
E-Mail sales@sick.com.au

**Belgium/Luxembourg**

Phone +32 (0)2 466 55 66  
E-Mail info@sick.be

**Brasil**

Phone +55 11 3215-4900  
E-Mail marketing@sick.com.br

**Canada**

Phone +1 905 771 14 44  
E-Mail information@sick.com

**Česká republika**

Phone +420 2 57 91 18 50  
E-Mail sick@sick.cz

**China**

Phone +86 4000 121 000  
E-Mail info.china@sick.net.cn  
Phone +852-2153 6300  
E-Mail ghk@sick.com.hk

**Danmark**

Phone +45 45 82 64 00  
E-Mail sick@sick.dk

**Deutschland**

Phone +49 211 5301-301  
E-Mail info@sick.de

**España**

Phone +34 93 480 31 00  
E-Mail info@sick.es

**France**

Phone +33 1 64 62 35 00  
E-Mail info@sick.fr

**Great Britain**

Phone +44 (0)1727 831121  
E-Mail info@sick.co.uk

**India**

Phone +91-22-4033 8333  
E-Mail info@sick-india.com

**Israel**

Phone +972-4-6881000  
E-Mail info@sick-sensors.com

**Italia**

Phone +39 02 27 43 41  
E-Mail info@sick.it

**Japan**

Phone +81 (0)3 5309 2112  
E-Mail support@sick.jp

**Magyarország**

Phone +36 1 371 2680  
E-Mail office@sick.hu

**Nederland**

Phone +31 (0)30 229 25 44  
E-Mail info@sick.nl

**Norge**

Phone +47 67 81 50 00  
E-Mail sick@sick.no

**Österreich**

Phone +43 (0)22 36 62 28 8-0  
E-Mail office@sick.at

**Polska**

Phone +48 22 837 40 50  
E-Mail info@sick.pl

**România**

Phone +40 356 171 120  
E-Mail office@sick.ro

**Russia**

Phone +7-495-775-05-30  
E-Mail info@sick.ru

**Schweiz**

Phone +41 41 619 29 39  
E-Mail contact@sick.ch

**Singapore**

Phone +65 6744 3732  
E-Mail sales.gsg@sick.com

**Slovenija**

Phone +386 (0)1-47 69 990  
E-Mail office@sick.si

**South Africa**

Phone +27 11 472 3733  
E-Mail info@sickautomation.co.za

**South Korea**

Phone +82 2 786 6321/4  
E-Mail info@sickkorea.net

**Suomi**

Phone +358-9-25 15 800  
E-Mail sick@sick.fi

**Sverige**

Phone +46 10 110 10 00  
E-Mail info@sick.se

**Taiwan**

Phone +886 2 2375-6288  
E-Mail sales@sick.com.tw

**Türkiye**

Phone +90 (216) 528 50 00  
E-Mail info@sick.com.tr

**United Arab Emirates**

Phone +971 (0) 4 88 65 878  
E-Mail info@sick.ae

**USA/México**

Phone +1(952) 941-6780  
1 (800) 325-7425 – tollfree  
E-Mail info@sickusa.com

More representatives and agencies  
at [www.sick.com](http://www.sick.com)