



safety laser scanners
S3000 Remote, Sensor head with I/O module

S30A-6011EA



Model Name > [S30A-6011EA](#)
Part No. > [1023548](#)



At a glance

- Can only be used in EFI system network, e.g., with a Flexi Soft safety controller or another safety laser scanner
- 5.5 m protective field range
- Up to 32 switchable field sets
- Configuration memory integrated in the system plug
- Measured data output via RS-422
- Simultaneous monitoring of up to 4 protective fields
- Contour as reference for vertical applications

Your benefits

- Easy installation, commissioning and maintenance for stationary and mobile applications
- Largest protective field range in the market increases the variety of application possibilities
- Variety of field sets ensures safety and productivity when protecting vehicles or moving machine parts
- Quick recommissioning via configuration memory
- Expandable modular system, simple cabling and additional functions such as the simultaneous monitoring of up to four protective fields using SICK safety controllers with EFI
- Personnel protection and navigation support in one device
- Decades of proven safety technology guarantee maximum reliability and productivity - even under difficult conditions



Applications

- | | |
|---|---|
| Hazardous area protection (vertical): | ✓ |
| Access protection (vertical): | ✓ |
| Hazardous area protection (horizontal): | ✓ |

Functions

- | | |
|---|-------------------|
| Number of simultaneously monitored protective fields: | ≤ 4 ¹⁾ |
| Static protective field switching: | ✓ |
| Incremental encoder inputs: | ✓ |
| External device monitoring (EDM): | ✓ |
| Integrated configuration memory: | ✓ |

Expanded measured data output (CMS):	-
Measured data output:	✓
Safe SICK device communication via EFI/SDL:	✓

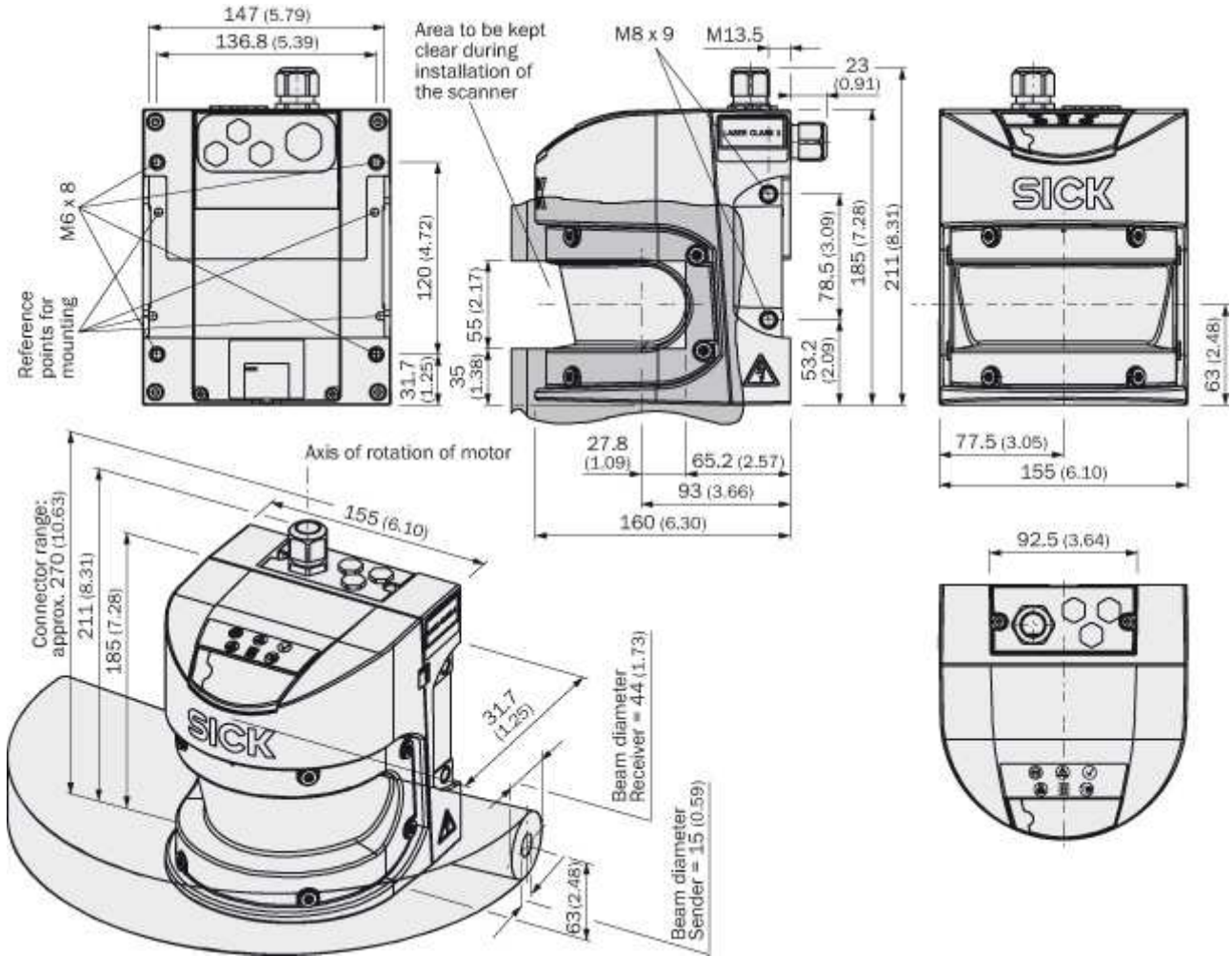
¹⁾ If more than one protective field is monitored simultaneously, then the safe output signals must be routed to safe outputs of a Flexi Soft safety controller, or via a safe EFI gateway.

Technical data

Laser class:	1 (21 CFR 1040.10 and 1040.11, DIN EN 60825:2001)
Enclosure rating:	IP 65 (EN 60529)
Protection class:	II (EN 50178)
Type:	Type 3 (IEC 61496)
Safety integrity level:	SIL2 (IEC 61508), SILCL2 (EN 62061)
Category:	Category 3 (EN ISO 13849)
Performance level:	PL d (EN ISO 13849)
PFHd:	8.0 * 1E-08 (EN ISO 13849)
TM (mission time):	20 a (EN ISO 13849)
Ambient operating temperature:	-10 °C ... +50 °C
Dimensions (W x H x D):	155 mm x 185 mm x 160 mm
Weight:	3.3 kg
Scan angle:	190 °
Protective field range:	5.5 m
Maximum warning field range:	49 m
Number of field sets::	32 ^{1) 2)}
Type of field set:	Dual field sets, Triple field sets
Number of monitoring cases:	32 ³⁾
Response time:	60 ms ⁴⁾
Resolution:	30 mm, 40 mm, 50 mm, 70 mm, 150 mm, configurable
Distance measuring range:	49 m
Number of multiple samplings:	Configurable 2 ... 16
Electrical connection:	System plug with or without connecting cable
Supply voltage:	16.8 V DC, 24 V DC, 28.8 V DC
Number of EDM inputs:	1
Number of reset-/restart inputs:	1
Number of static control inputs with EFI:	5 ⁵⁾
Number of safe outputs:	2, Safety outputs (OSSD)
Number of application diagnostic outputs:	3 ⁶⁾
Maximum output current:	500 mA
Configuration and diagnostics interface:	RS-232
Data interface:	RS-422

¹⁾ In dual field mode 32, in triple field mode 21 field sets ^{2) 3)} The performance characteristics of the Remote device correspond to those of the host. If the system exclusively consists of Remote devices connected to an EFI partner, 16 dual field sets or 10 triple field sets and 32 monitoring cases are available. For monitoring case switching static or dynamic inputs of the EFI partner have to be used. ⁴⁾ Depending on basic response time and multiple sampling ⁵⁾ Can only be used in EFI system network, e.g., with a Flexi Soft safety controller or another S300 or S3000 safety laser scanner ⁶⁾ Freely programmable, e.g., warning field, contamination, reset required

Dimensional drawing



Australia

Phone +61 3 9457 0600
1800 33 48 02 – tollfree
E-Mail sales@sick.com.au

Belgium/Luxembourg

Phone +32 (0)2 466 55 66
E-Mail info@sick.be

Brasil

Phone +55 11 3215-4900
E-Mail marketing@sick.com.br

Canada

Phone +1 905 771 14 44
E-Mail information@sick.com

Česká republika

Phone +420 2 57 91 18 50
E-Mail sick@sick.cz

China

Phone +86 4000 121 000
E-Mail info.china@sick.net.cn
Phone +852-2153 6300
E-Mail ghk@sick.com.hk

Danmark

Phone +45 45 82 64 00
E-Mail sick@sick.dk

Deutschland

Phone +49 211 5301-301
E-Mail info@sick.de

España

Phone +34 93 480 31 00
E-Mail info@sick.es

France

Phone +33 1 64 62 35 00
E-Mail info@sick.fr

Great Britain

Phone +44 (0)1727 831121
E-Mail info@sick.co.uk

India

Phone +91-22-4033 8333
E-Mail info@sick-india.com

Israel

Phone +972-4-6881000
E-Mail info@sick-sensors.com

Italia

Phone +39 02 27 43 41
E-Mail info@sick.it

Japan

Phone +81 (0)3 5309 2112
E-Mail support@sick.jp

Magyarország

Phone +36 1 371 2680
E-Mail office@sick.hu

Nederland

Phone +31 (0)30 229 25 44
E-Mail info@sick.nl

Norge

Phone +47 67 81 50 00
E-Mail sick@sick.no

Österreich

Phone +43 (0)22 36 62 28 8-0
E-Mail office@sick.at

Polska

Phone +48 22 837 40 50
E-Mail info@sick.pl

România

Phone +40 356 171 120
E-Mail office@sick.ro

Russia

Phone +7-495-775-05-30
E-Mail info@sick.ru

Schweiz

Phone +41 41 619 29 39
E-Mail contact@sick.ch

Singapore

Phone +65 6744 3732
E-Mail sales.gsg@sick.com

Slovenija

Phone +386 (0)1-47 69 990
E-Mail office@sick.si

South Africa

Phone +27 11 472 3733
E-Mail info@sickautomation.co.za

South Korea

Phone +82 2 786 6321/4
E-Mail info@sickkorea.net

Suomi

Phone +358-9-25 15 800
E-Mail sick@sick.fi

Sverige

Phone +46 10 110 10 00
E-Mail info@sick.se

Taiwan

Phone +886 2 2375-6288
E-Mail sales@sick.com.tw

Türkiye

Phone +90 (216) 528 50 00
E-Mail info@sick.com.tr

United Arab Emirates

Phone +971 (0) 4 88 65 878
E-Mail info@sick.ae

USA/México

Phone +1(952) 941-6780
1 (800) 325-7425 – tollfree
E-Mail info@sickusa.com

More representatives and agencies
at www.sick.com