



## Measuring automation light grids MLG, MLG Programmable

MLG5-1450F812



**Model Name** > [MLG5-1450F812](#)  
**Part No.** > [1023604](#)



**At a glance**

- Resolutions of 10 / 20 / 30 / 50 mm and customer-specific resolutions
- Working range up to 8.5 m
- Detection heights of over 3 m and up to 240 beams possible
- Short response time
- External teach-in for optimal sensitivity settings
- Easy-to-use setup software for customized application

**Your benefits**

- Intelligent evaluation software saves costs by quickly and easily turning a standard sensor into a custom problem solver, reducing the number of sensors, PLCs and programming required
- Easy-to-see status information helps avoid interrupting operation
- Different beam separation options, detection heights and output configurations ensure a reliable solution
- 6 discrete outputs for custom solutions
- Robust metal housing stands up to tough environments and reduces downtime



**Features**

|   |  |
|---|--|
| Technology:                                     | Sender/receiver                        |
| Task:   | Measurement light grid                 |
| Minimum detectable object (MDO) <sup>1)</sup> : | Parallel beam: $\geq 55$ mm            |
| Beam separation:                                | 50 mm                                  |
| Number of beams:                                | 30                                     |
| Detection height:                               | 1,450 mm                               |
| Configuration:                                  | Parameterization interface (measuring) |

<sup>1)</sup> MDO min. detectable object

**Performance**

|                               |                              |
|-------------------------------|------------------------------|
| Maximum range <sup>1)</sup> : | 7 m                          |
| Minimum range:                | Parallel beam: $\geq 0$ mm   |
| Response time <sup>2)</sup> : | Parallel beam: $\geq 5.5$ ms |
| Working range <sup>3)</sup> : | 5 m                          |

<sup>1)</sup> No reserve for environmental issue and deterioration of the diode <sup>2)</sup> With resistive load <sup>3)</sup> Aperture  $\pm 3^\circ$

## Interfaces

---

|                  |                           |
|------------------|---------------------------|
| Output type:     | 3 x PNP                   |
| Inputs:          | 1 x PNP                   |
| Connection type: | Male connector M12, 8-pin |

## Mechanics/electronics

---

|  |   |
|--|---|
| Wave length:                               | IR 880 nm   |
| Supply voltage $V_s$ <sup>1)</sup> :       | DC 18 V ... 30 V  |
| Power consumption sender <sup>2)</sup> :   | 200 mA  |
| Power consumption receiver <sup>3)</sup> : | 190 mA  |
| Ripple:                                    | < 5 Vpp   |
| Output current $I_{max}$ :                 | 100 mA  |
| Output load capacitive:                    | 100 nF  |
| Output load inductive:                     | 1 H   |
| Initialization time:                       | 1 s   |
| Dimensions (W x H x D):                    | 34 mm x 1,564 mm x 29 mm  |
| Housing material:                          | Aluminum  |
| Indication:                                | 7-segment display, LED  |
| Synchronization:                           | Cable   |
| Enclosure rating:                          | IP 65   |
| Circuit protection:                        | Output Q short-circuit protected, Interference suppression, VS connections reverse-polarity protected |
| Weight:                                    | 3.835 kg  |
| Current consumption:                       | 200 mA <sup>4)</sup>  |
| Front screen:                              | PMMA  |

1) Without load <sup>2) 3) 4)</sup> Without load with 24 V

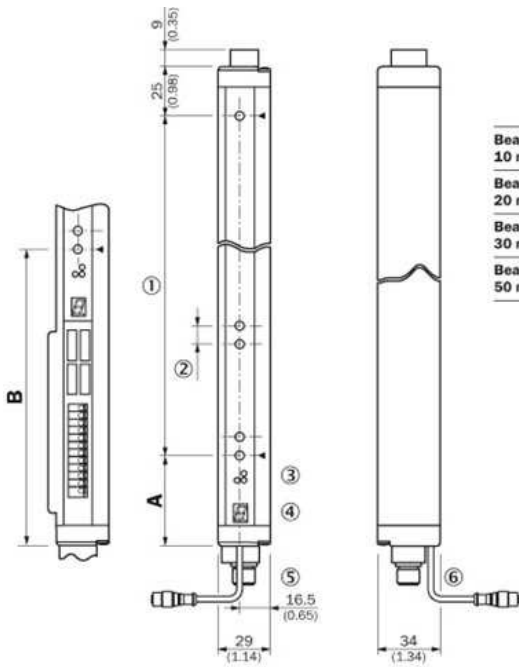
## Ambient data

---

|  |  |
|--|--|
| Protection class:                        | III  |
| EMC:                                     | EN 60947-5-2   |
| Ambient temperature:                     | Operation: -25 ... +55 °C, Storage: -40 ... +70 °C   |
| Ambient light safety <sup>1), 2)</sup> : | Direct: $\geq 12,500$ lx, Indirect: $\geq 50,000$ lx |
| Vibration resistance:                    | 5 g, 10 Hz ... 55 Hz (IEC 68-2-6)                    |
| Shock load:                              | 10 g/IEC 68-2-29/16 ms                               |

1) 2) Sunlight

## Dimensional drawing



|                                       | A                               | B          |
|---------------------------------------|---------------------------------|------------|
|                                       | Distance: MLG edge - first beam |            |
| <b>Beam separation MLG1<br/>10 mm</b> | 49 (1.93)                       | 160 (6.30) |
| <b>Beam separation MLG2<br/>20 mm</b> | 49 (1.93) <sup>1)</sup>         | 170 (6.69) |
| <b>Beam separation MLG3<br/>30 mm</b> | 69 (2.72)                       | 180 (7.09) |
| <b>Beam separation MLG5<br/>50 mm</b> | 89 (3.50)                       | 200 (7.87) |

<sup>1)</sup> With even number of beams.  
<sup>2)</sup> With odd number of beams.

- |1| Detection height (see optical performance)
- |2| Beam separation (10, 20, 30, 50 mm)
- |3| Status indicator: LEDs green, yellow, red
- |4| Indicator panel, 7-segment display
- |5| Terminals: M16 cable entry/connector M12, 12-pin
- |6| Configuration connector M8, 4-pin

## Adjustments receiver



- ☉ blinks with 3 Hz
- on
- out
- ◐ on or out

- |1| Supply voltage
- |2| Device error
- |3| No object in the light path
- |4| Pollution indication
- |5| Blocked Beams Hold (BBH)
- |6| Activated teach-in procedure
- |7| ParamMode is active
- |8| standby
- |9| Error: E1 = sync. error; E2 = less receiver signal; E9 = defect

Connection type and diagram



|1| not connected



**Australia**

Phone +61 3 9457 0600  
1800 33 48 02 – tollfree  
E-Mail sales@sick.com.au

**Belgium/Luxembourg**

Phone +32 (0)2 466 55 66  
E-Mail info@sick.be

**Brasil**

Phone +55 11 3215-4900  
E-Mail marketing@sick.com.br

**Canada**

Phone +1 905 771 14 44  
E-Mail information@sick.com

**Česká republika**

Phone +420 2 57 91 18 50  
E-Mail sick@sick.cz

**China**

Phone +86 4000 121 000  
E-Mail info.china@sick.net.cn  
Phone +852-2153 6300  
E-Mail ghk@sick.com.hk

**Danmark**

Phone +45 45 82 64 00  
E-Mail sick@sick.dk

**Deutschland**

Phone +49 211 5301-301  
E-Mail info@sick.de

**España**

Phone +34 93 480 31 00  
E-Mail info@sick.es

**France**

Phone +33 1 64 62 35 00  
E-Mail info@sick.fr

**Great Britain**

Phone +44 (0)1727 831121  
E-Mail info@sick.co.uk

**India**

Phone +91-22-4033 8333  
E-Mail info@sick-india.com

**Israel**

Phone +972-4-6881000  
E-Mail info@sick-sensors.com

**Italia**

Phone +39 02 27 43 41  
E-Mail info@sick.it

**Japan**

Phone +81 (0)3 5309 2112  
E-Mail support@sick.jp

**Magyarország**

Phone +36 1 371 2680  
E-Mail office@sick.hu

**Nederland**

Phone +31 (0)30 229 25 44  
E-Mail info@sick.nl

**Norge**

Phone +47 67 81 50 00  
E-Mail sick@sick.no

**Österreich**

Phone +43 (0)22 36 62 28 8-0  
E-Mail office@sick.at

**Polska**

Phone +48 22 837 40 50  
E-Mail info@sick.pl

**România**

Phone +40 356 171 120  
E-Mail office@sick.ro

**Russia**

Phone +7-495-775-05-30  
E-Mail info@sick.ru

**Schweiz**

Phone +41 41 619 29 39  
E-Mail contact@sick.ch

**Singapore**

Phone +65 6744 3732  
E-Mail sales.gsg@sick.com

**Slovenija**

Phone +386 (0)1-47 69 990  
E-Mail office@sick.si

**South Africa**

Phone +27 11 472 3733  
E-Mail info@sickautomation.co.za

**South Korea**

Phone +82 2 786 6321/4  
E-Mail info@sickkorea.net

**Suomi**

Phone +358-9-25 15 800  
E-Mail sick@sick.fi

**Sverige**

Phone +46 10 110 10 00  
E-Mail info@sick.se

**Taiwan**

Phone +886 2 2375-6288  
E-Mail sales@sick.com.tw

**Türkiye**

Phone +90 (216) 528 50 00  
E-Mail info@sick.com.tr

**United Arab Emirates**

Phone +971 (0) 4 88 65 878  
E-Mail info@sick.ae

**USA/México**

Phone +1(952) 941-6780  
1 (800) 325-7425 – tollfree  
E-Mail info@sickusa.com

More representatives and agencies  
at [www.sick.com](http://www.sick.com)