



Photoelectric sensors
W2 Slim, Photoelectric retro-reflective sensor,
Standard optics

WL2S-F411



Model Name > WL2S-F411
Part No. > 1023644



Illustration may differ

At a glance

- Small, sharply defined light spot of Ø 10 mm at 100 mm distance
- Maximum sensing range of 800 mm on the small PL20A reflector
- Fast response time of 0.6 ms

Your benefits

- PinPoint LED provides a sharply defined, highly visible light spot for quick and easy alignment
- Compact design saves space while providing long sensing ranges
- High immunity to crosstalk with another device enables the installation of several sensors in a single area
- Ball-and-socket bracket for quick and easy alignment

Note: This product will be discontinued and replaced by a successor - orders will be accepted until January 31st 2015



Features

Sensor/detection principle:	Photoelectric retro-reflective sensor, Standard optics
Dimensions (W x H x D):	7.6 mm x 25.1 mm x 12.5 mm
Housing design (light emission):	Rectangular
Sensing range max.:	0.04 m ... 0.8 m ¹⁾
Sensing range:	0.04 m ... 0.8 m ²⁾
Type of light:	Visible red light
Light source:	PinPoint LED ³⁾
Wave length:	660 nm
Focus adjustable:	✓
Light spot size (distance):	Ø 10 mm (100 mm)

^{1) 2)} PL20A ³⁾ Average service life 75,000 h at T_A = +25 °C

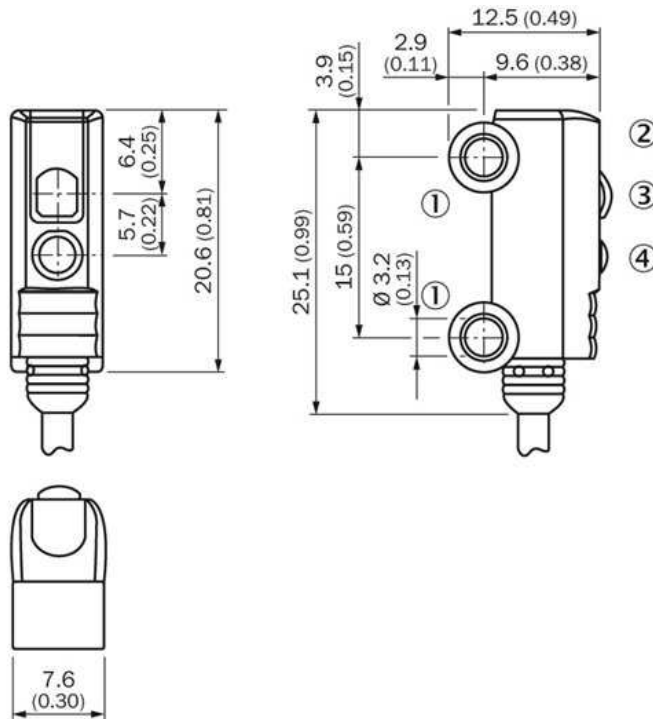
Mechanics/electronics

Supply voltage:	10 V DC ... 30 V DC ¹⁾
Ripple:	≤ 5 Vpp ²⁾
Output type:	PNP
Switching mode:	Dark switching
Output current I _{max.} :	≤ 50 mA
Response time:	< 0.6 ms ³⁾

Switching frequency:	800 Hz ⁴⁾
Connection type:	Cable with connector M8, 4-pin, 200 mm ⁵⁾
Cable material:	PVC
Cable diameter:	Ø 2.4 mm
Circuit protection:::	A, C, D ⁶⁾ ⁷⁾ ⁸⁾
Weight:	20 g
Polarisation filter:	✓
Special device:	-
Reverse polarity protection:	✓
Short-circuit protection:	✓
Optics material:	PMMA
Enclosure rating:	IP 67 IP 69K
Ambient operating temperature:	-20 °C ... +50 °C
Ambient storage temperature:	-40 °C ... +75 °C
Housing material:	ABS, Plastic

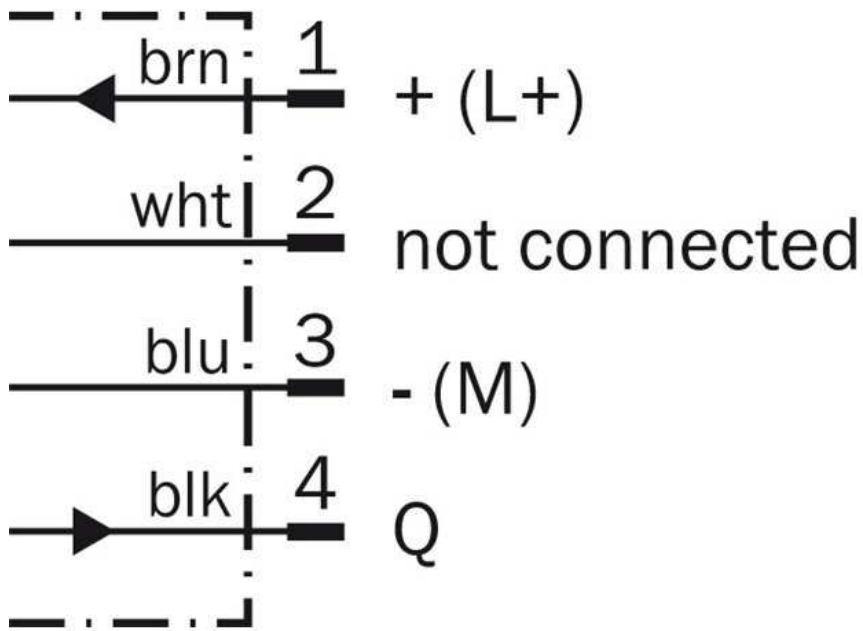
¹⁾ Limit values ²⁾ May not exceed or fall short of V_S tolerances ³⁾ Signal transit time with resistive load ⁴⁾ With light/dark ratio 1:1 ⁵⁾ Do not bend below 0 °C ⁶⁾ A = V
⁷⁾ S connections reverse-polarity protected ⁷⁾ C = interference suppression ⁸⁾ D = outputs overcurrent and short-circuit protected

Dimensional drawing

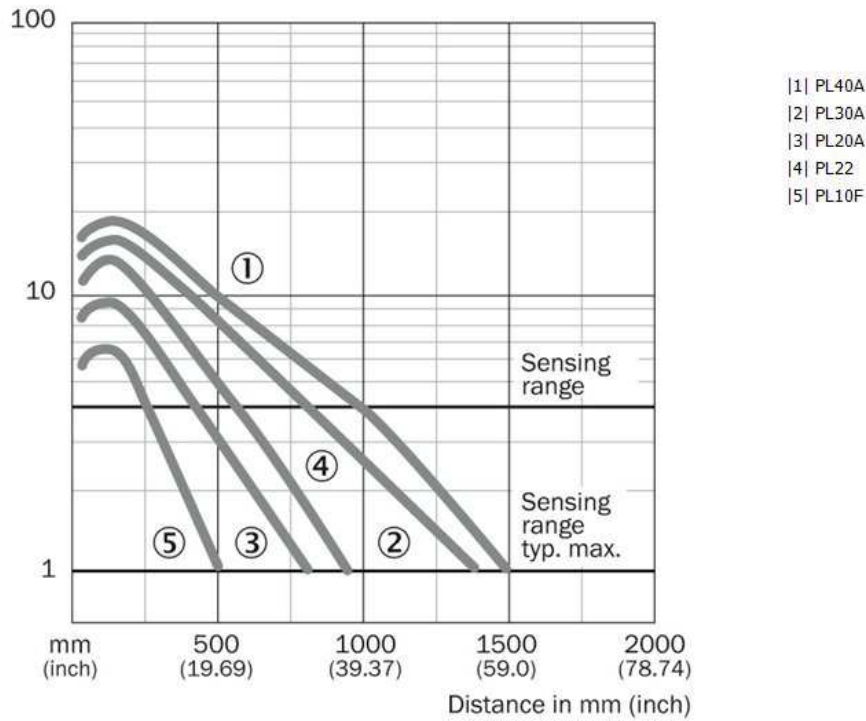


- |1| Mounting hole, ϕ approx. 3.1 mm
- |2| LED signal strength indicator
- |3| Optical axis, receiver
- |4| Optical axis, sender

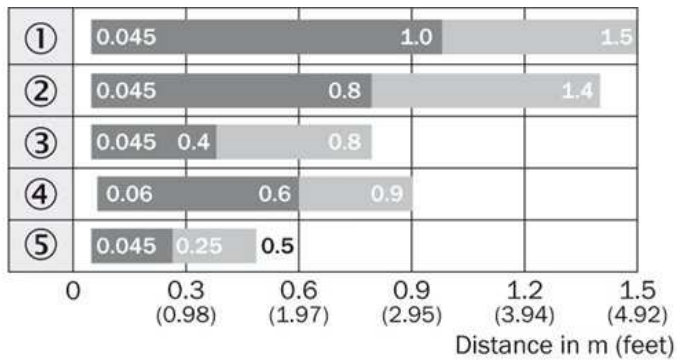
Connection diagram



Characteristic curve



Sensing range diagram



- |1| PL40A
- |2| PL30A
- |3| PL20F
- |4| PL22
- |5| PL10F

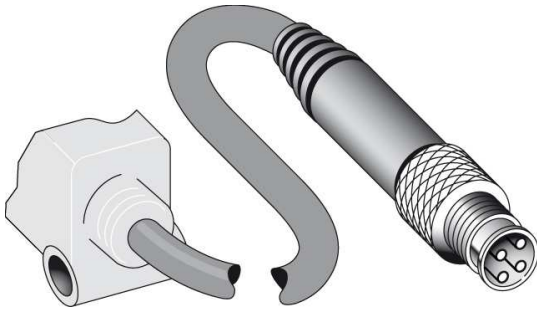
■ Sensing range ■ Sensing range typ. max.

Reflector type

- ① PL40A
- ② PL30A
- ③ PL20F
- ④ PL22
- ⑤ PL10F ¹⁾

¹⁾ With reflector arrangement along the sensor axis.

Connection type



Australia

Phone +61 3 9457 0600
1800 33 48 02 – tollfree
E-Mail sales@sick.com.au

Belgium/Luxembourg

Phone +32 (0)2 466 55 66
E-Mail info@sick.be

Brasil

Phone +55 11 3215-4900
E-Mail marketing@sick.com.br

Canada

Phone +1 905 771 14 44
E-Mail information@sick.com

Česká republika

Phone +420 2 57 91 18 50
E-Mail sick@sick.cz

China

Phone +86 4000 121 000
E-Mail info.china@sick.net.cn
Phone +852-2153 6300
E-Mail ghk@sick.com.hk

Danmark

Phone +45 45 82 64 00
E-Mail sick@sick.dk

Deutschland

Phone +49 211 5301-301
E-Mail info@sick.de

España

Phone +34 93 480 31 00
E-Mail info@sick.es

France

Phone +33 1 64 62 35 00
E-Mail info@sick.fr

Great Britain

Phone +44 (0)1727 831121
E-Mail info@sick.co.uk

India

Phone +91-22-4033 8333
E-Mail info@sick-india.com

Israel

Phone +972-4-6881000
E-Mail info@sick-sensors.com

Italia

Phone +39 02 27 43 41
E-Mail info@sick.it

Japan

Phone +81 (0)3 5309 2112
E-Mail support@sick.jp

Magyarország

Phone +36 1 371 2680
E-Mail office@sick.hu

Nederland

Phone +31 (0)30 229 25 44
E-Mail info@sick.nl

Norge

Phone +47 67 81 50 00
E-Mail sick@sick.no

Österreich

Phone +43 (0)22 36 62 28 8-0
E-Mail office@sick.at

Polska

Phone +48 22 837 40 50
E-Mail info@sick.pl

România

Phone +40 356 171 120
E-Mail office@sick.ro

Russia

Phone +7-495-775-05-30
E-Mail info@sick.ru

Schweiz

Phone +41 41 619 29 39
E-Mail contact@sick.ch

Singapore

Phone +65 6744 3732
E-Mail sales.gsg@sick.com

Slovenija

Phone +386 (0)1-47 69 990
E-Mail office@sick.si

South Africa

Phone +27 11 472 3733
E-Mail info@sickautomation.co.za

South Korea

Phone +82 2 786 6321/4
E-Mail info@sickkorea.net

Suomi

Phone +358-9-25 15 800
E-Mail sick@sick.fi

Sverige

Phone +46 10 110 10 00
E-Mail info@sick.se

Taiwan

Phone +886 2 2375-6288
E-Mail sales@sick.com.tw

Türkiye

Phone +90 (216) 528 50 00
E-Mail info@sick.com.tr

United Arab Emirates

Phone +971 (0) 4 88 65 878
E-Mail info@sick.ae

USA/México

Phone +1(952) 941-6780
1 (800) 325-7425 – tollfree
E-Mail info@sickusa.com

More representatives and agencies
at www.sick.com