



Connectivity  
CDB / CDB410

CDB410-001



**Model Name** > [CDB410-001](#)  
**Part No.** > [1023813](#)



*Illustration may differ*

**At a glance**

- Connection module for one 4Dpro sensor
- Clearly visible, easily accessible screw- and spring-loaded terminals
- Connection diagram on the inside of the lid
- Configuration with switches
- IP 65 connection for one 4Dpro sensor using standard connection cable
- Basis for CMC600 parameter cloning module
- Service plug for direct access to the AUX interface

**Your benefits**

- Compact design fits into small spaces
- Two mounting holes for fast, precise installation saves on installation costs
- Clearly labeled, easily accessible screw- and spring-loaded terminals save time when connecting to peripherals
- Quick, easy configuration with switches reduces installation time
- Industrial-standard connection guarantees a reliable application solution
- CMC600 parameter cloning module allows rapid exchange and replacement of connected sensors

**The product has been discontinued. Please follow the "replacement product" link for information about alternative products.**



**Features**

Brief description:	Small connection module for one CLV41x
Supported products:	CLV41x
Supports cloning module (CMC):	No
Supports display module (CMD):	No
Supports power supply module (CMP):	No
Supports fieldbus gateway (CMF):	No

**Interfaces**

Serial (RS-232, RS-422/485):	✓
Remark (Serial (RS-232, RS-422/485)):	Depending on sensor connected
Ethernet:	-
CAN bus:	-
PROFIBUS DP:	-
DeviceNet:	-
Switching inputs:	Depending on sensor connected

Switching outputs:	Depending on sensor connected
Optical indicators:	5 LED
Configuration software:	SOPAS ET

### Mechanics/electronics

Power consumption:	3 W
Housing:	Polycarbonat
Enclosure rating:	IP 65 (DIN 40 050) <sup>1)</sup>
Protection class:	III (VDE 0106)
Weight:	250 g
Dimensions:	124.2 mm x 113.1 mm x 53.9 mm
Housing color:	Blue (RAL 5012)
Scanner connection:	15-pin D-Sub HD socket
Service plug:	9-pin D-Sub socket (internal)

<sup>1)</sup> When using a SICK scanner standard connecting cable

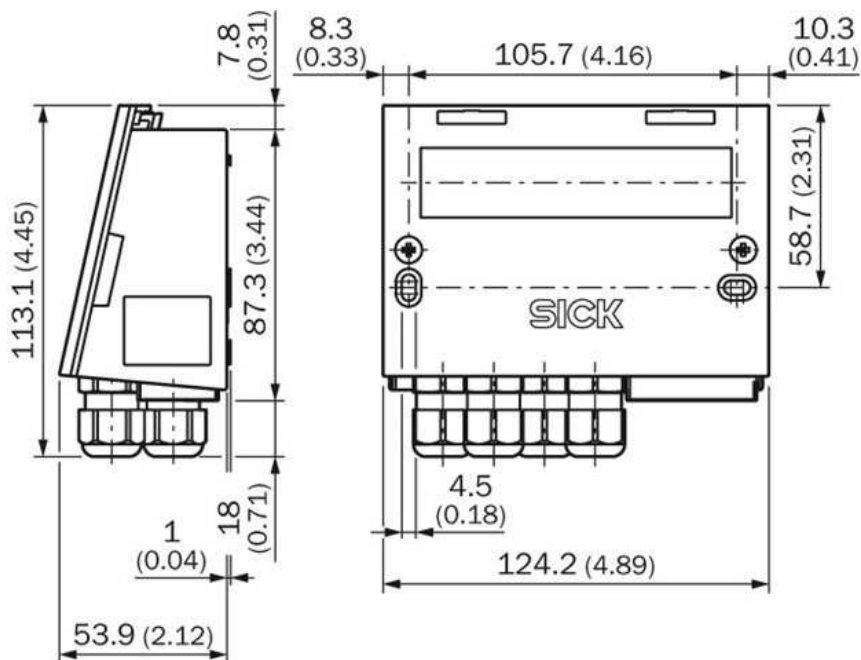
### Ambient data

Ambient operating temperature:	0 °C ... +40 °C
Storage temperature:	-20 °C ... +70 °C
Permissible relative humidity:	± 90 %, non-condensing

### General notes

Life cycle phase:	Phased out
-------------------	------------

### Dimensional drawing



**Australia**

Phone +61 3 9457 0600  
1800 33 48 02 – tollfree  
E-Mail sales@sick.com.au

**Belgium/Luxembourg**

Phone +32 (0)2 466 55 66  
E-Mail info@sick.be

**Brasil**

Phone +55 11 3215-4900  
E-Mail marketing@sick.com.br

**Canada**

Phone +1 905 771 14 44  
E-Mail information@sick.com

**Česká republika**

Phone +420 2 57 91 18 50  
E-Mail sick@sick.cz

**China**

Phone +86 4000 121 000  
E-Mail info.china@sick.net.cn  
Phone +852-2153 6300  
E-Mail ghk@sick.com.hk

**Danmark**

Phone +45 45 82 64 00  
E-Mail sick@sick.dk

**Deutschland**

Phone +49 211 5301-301  
E-Mail info@sick.de

**España**

Phone +34 93 480 31 00  
E-Mail info@sick.es

**France**

Phone +33 1 64 62 35 00  
E-Mail info@sick.fr

**Great Britain**

Phone +44 (0)1727 831121  
E-Mail info@sick.co.uk

**India**

Phone +91-22-4033 8333  
E-Mail info@sick-india.com

**Israel**

Phone +972-4-6881000  
E-Mail info@sick-sensors.com

**Italia**

Phone +39 02 27 43 41  
E-Mail info@sick.it

**Japan**

Phone +81 (0)3 5309 2112  
E-Mail support@sick.jp

**Magyarország**

Phone +36 1 371 2680  
E-Mail office@sick.hu

**Nederland**

Phone +31 (0)30 229 25 44  
E-Mail info@sick.nl

**Norge**

Phone +47 67 81 50 00  
E-Mail sick@sick.no

**Österreich**

Phone +43 (0)22 36 62 28 8-0  
E-Mail office@sick.at

**Polska**

Phone +48 22 837 40 50  
E-Mail info@sick.pl

**România**

Phone +40 356 171 120  
E-Mail office@sick.ro

**Russia**

Phone +7-495-775-05-30  
E-Mail info@sick.ru

**Schweiz**

Phone +41 41 619 29 39  
E-Mail contact@sick.ch

**Singapore**

Phone +65 6744 3732  
E-Mail sales.gsg@sick.com

**Slovenija**

Phone +386 (0)1-47 69 990  
E-Mail office@sick.si

**South Africa**

Phone +27 11 472 3733  
E-Mail info@sickautomation.co.za

**South Korea**

Phone +82 2 786 6321/4  
E-Mail info@sickkorea.net

**Suomi**

Phone +358-9-25 15 800  
E-Mail sick@sick.fi

**Sverige**

Phone +46 10 110 10 00  
E-Mail info@sick.se

**Taiwan**

Phone +886 2 2375-6288  
E-Mail sales@sick.com.tw

**Türkiye**

Phone +90 (216) 528 50 00  
E-Mail info@sick.com.tr

**United Arab Emirates**

Phone +971 (0) 4 88 65 878  
E-Mail info@sick.ae

**USA/México**

Phone +1(952) 941-6780  
1 (800) 325-7425 – tollfree  
E-Mail info@sickusa.com

More representatives and agencies  
at [www.sick.com](http://www.sick.com)