



Photoelectric sensors
W14-2, Photoelectric retro-reflective sensor,
Standard optics

WL14-2N430



Model Name > **WL14-2N430**
Part No. > **1026048**



Illustration may differ

At a glance

- Emitter LED with visible red light
- Polarizing filter
- High immunity to ambient light
- Rugged plastic housing

Your benefits

- Highly visible red light provides quick and easy installation
- Reliable detection, even of shiny targets due to polarizing filters
- Crosstalk and ambient light immunity reduces false readings and downtime
- High availability in the field



Features

Sensor/detection principle:	Photoelectric retro-reflective sensor, Standard optics
Dimensions (W x H x D):	17.6 mm x 75.5 mm x 33.5 mm
Housing design (light emission):	Rectangular
Sensing range max.:	0.15 m ... 6 m ¹⁾
Sensing range:	0.15 m ... 4 m ²⁾
Type of light:	Visible red light
Light source:	LED ³⁾
Wave length:	645 nm
Angle of dispersion:	Ca. 2 °
Light spot size (distance):	Ø 140 mm (4 m)

^{1) 2)} PL80A ³⁾ Average service life of 100,000 h at T_A = +25 °C

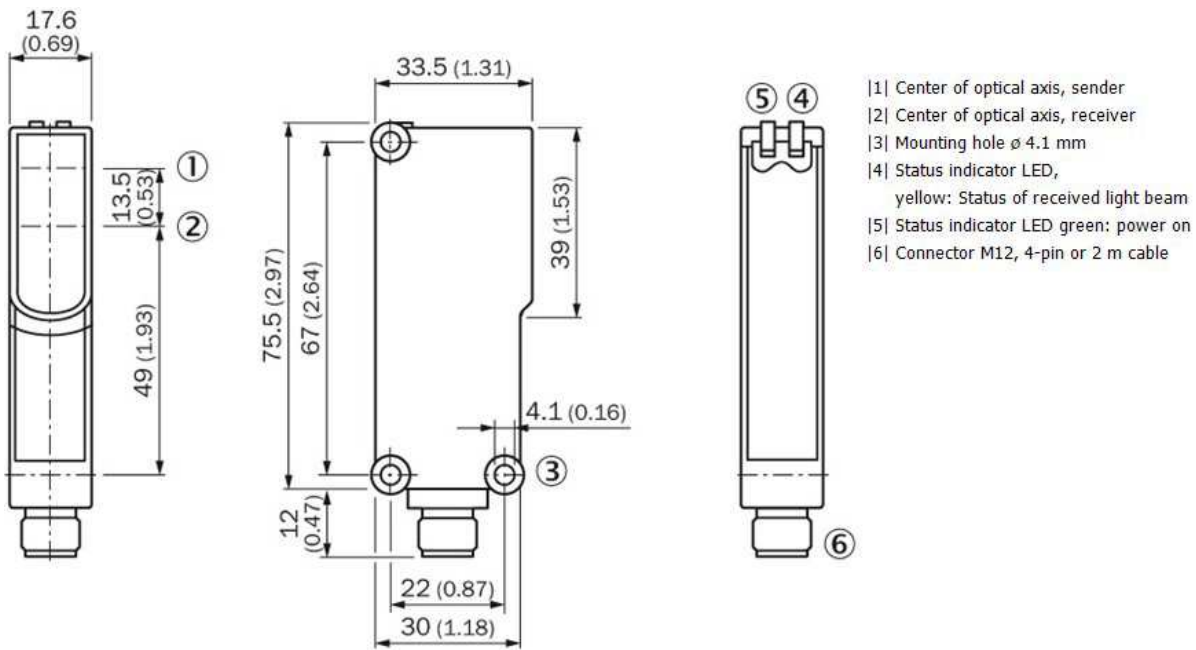
Mechanics/electronics

Supply voltage:	10 V DC ... 30 V DC ¹⁾
Power consumption:	≤ 35 mA ²⁾
Output type:	NPN
Output function:	Complementary
Switching mode:	Light/dark switching
Output current I _{max.} :	≤ 100 mA
Response time:	≤ 2.5 ms ³⁾
Switching frequency:	200 Hz ⁴⁾
Connection type:	Connector M12, 4-pin
Circuit protection:::	A, C, D ^{5) 6) 7)}

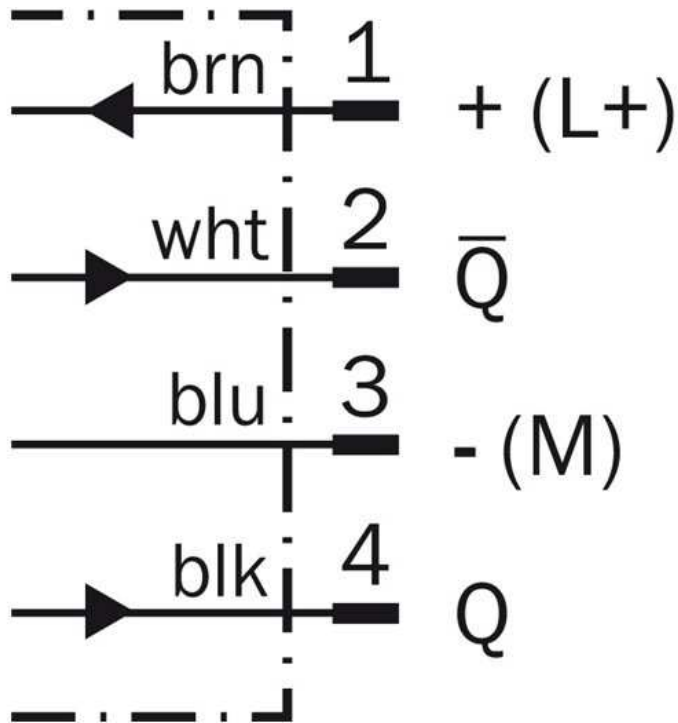
Weight: 40 g
 Polarisation filter: ✓
 Housing material: ABS, Plastic
 Optics material: PMMA
 Enclosure rating: IP 67
 Ambient operating temperature: -25 °C ... 60 °C
 Ambient storage temperature: -40 °C ... 70 °C
 UL File No.: NRKH.E181493 & NRKH7.E181493

1) Limit values, operation in short-circuit protected network max. 8 A 2) Without load 3) Signal transit time with resistive load 4) With light/dark ratio 1:1 5) $A = V_S$
 connections reverse-polarity protected 6) C = interference suppression 7) D = outputs overcurrent and short-circuit protected

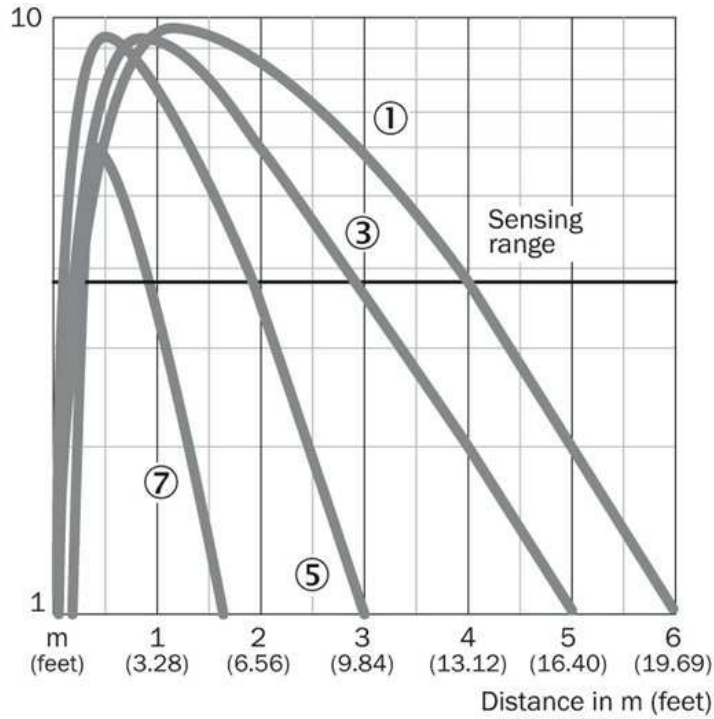
Dimensional drawing



Connection diagram

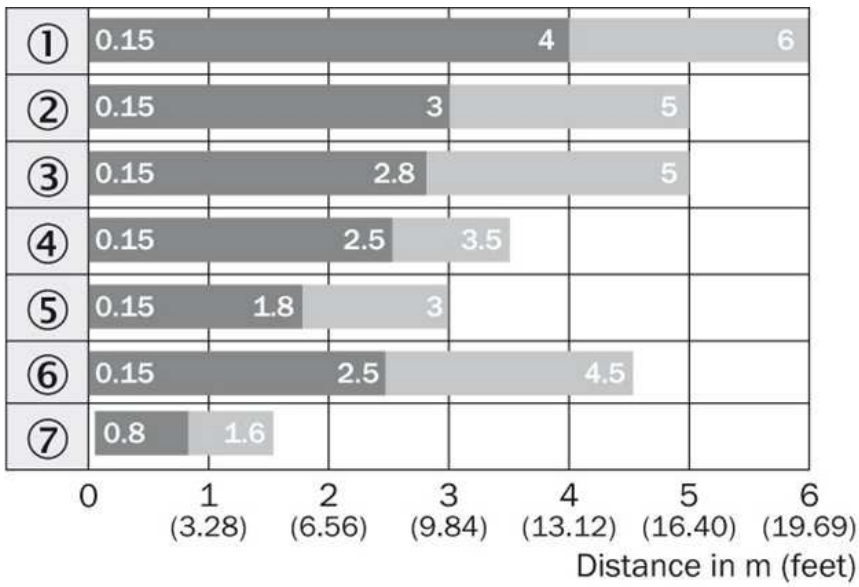


Characteristic curve



- [1] PL80A
- [3] PL40A
- [5] PL20A
- [7] Reflective tape Diamond Grade

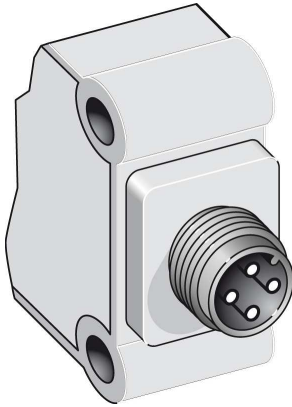
Sensing range diagram



- |1| PL80A
- |2| PL50A
- |3| PL40A
- |4| PL30A
- |5| PL20A
- |6| C110A
- |7| Reflective tape Diamond Grade

■ Sensing range ■ Sensing range max.

Connection type



Australia

Phone +61 3 9457 0600
1800 33 48 02 – tollfree
E-Mail sales@sick.com.au

Belgium/Luxembourg

Phone +32 (0)2 466 55 66
E-Mail info@sick.be

Brasil

Phone +55 11 3215-4900
E-Mail marketing@sick.com.br

Canada

Phone +1 905 771 14 44
E-Mail information@sick.com

Česká republika

Phone +420 2 57 91 18 50
E-Mail sick@sick.cz

China

Phone +86 4000 121 000
E-Mail info.china@sick.net.cn
Phone +852-2153 6300
E-Mail ghk@sick.com.hk

Danmark

Phone +45 45 82 64 00
E-Mail sick@sick.dk

Deutschland

Phone +49 211 5301-301
E-Mail info@sick.de

España

Phone +34 93 480 31 00
E-Mail info@sick.es

France

Phone +33 1 64 62 35 00
E-Mail info@sick.fr

Great Britain

Phone +44 (0)1727 831121
E-Mail info@sick.co.uk

India

Phone +91-22-4033 8333
E-Mail info@sick-india.com

Israel

Phone +972-4-6881000
E-Mail info@sick-sensors.com

Italia

Phone +39 02 27 43 41
E-Mail info@sick.it

Japan

Phone +81 (0)3 5309 2112
E-Mail support@sick.jp

Magyarország

Phone +36 1 371 2680
E-Mail office@sick.hu

Nederland

Phone +31 (0)30 229 25 44
E-Mail info@sick.nl

Norge

Phone +47 67 81 50 00
E-Mail sick@sick.no

Österreich

Phone +43 (0)22 36 62 28 8-0
E-Mail office@sick.at

Polska

Phone +48 22 837 40 50
E-Mail info@sick.pl

România

Phone +40 356 171 120
E-Mail office@sick.ro

Russia

Phone +7-495-775-05-30
E-Mail info@sick.ru

Schweiz

Phone +41 41 619 29 39
E-Mail contact@sick.ch

Singapore

Phone +65 6744 3732
E-Mail sales.gsg@sick.com

Slovenija

Phone +386 (0)1-47 69 990
E-Mail office@sick.si

South Africa

Phone +27 11 472 3733
E-Mail info@sickautomation.co.za

South Korea

Phone +82 2 786 6321/4
E-Mail info@sickkorea.net

Suomi

Phone +358-9-25 15 800
E-Mail sick@sick.fi

Sverige

Phone +46 10 110 10 00
E-Mail info@sick.se

Taiwan

Phone +886 2 2375-6288
E-Mail sales@sick.com.tw

Türkiye

Phone +90 (216) 528 50 00
E-Mail info@sick.com.tr

United Arab Emirates

Phone +971 (0) 4 88 65 878
E-Mail info@sick.ae

USA/México

Phone +1(952) 941-6780
1 (800) 325-7425 – tollfree
E-Mail info@sickusa.com

More representatives and agencies
at www.sick.com