



Photoelectric sensors
MH15, Photoelectric proximity sensor, energetic

MHT15-N3319



Model Name > **MHT15-N3319**
Part No. > **1026101**



Illustration may differ

At a glance

- Energetic variant with a long sensing distance
- Sensitivity control via 270° potentiometer
- Indicator LED with an active switching output and operating reserve
- Straight or right-angle housing designs available
- 100 mm or 350 mm sensing distances for straight housing; 90 mm or 250 mm (each with 90% remission) for right-angle housings
- Mounting accessories (M18 nuts and snap ring) are included
- IP 69K-tested housing offers a long service life that withstands harsh environments

Your benefits

- Reliably detects and positions parts without a reflector, saving installation time and costs
- Shortest M18 body on the market, saving installation space
- Flush mounting via snap ring reduces setup time and prevents obstructions to material flow on conveyor systems
- MHT15 is compatible with competitor sensors for easy replacement that saves installation time and costs
- IP 69K-tested housing offers a long service life that withstands harsh environments, reducing maintenance time and costs



Features

Sensor/detection principle:	Photoelectric proximity sensor, energetic
Housing design (light emission):	Cylindrical, angled
Housing length:	50.3 mm
Thread diameter (housing):	M18 x 1
Optical axis:	radial
Sensing range max.:	5 mm ... 90 mm ¹⁾
Sensing range:	5 mm ... 75 mm
Type of light:	Infrared light
Light source:	LED ²⁾
Wave length:	950 nm
Angle of dispersion:	Ca. 5 °
Adjustment:	Potentiometer, 270 °
Light spot size (distance):	Ø 25 mm (90 mm)

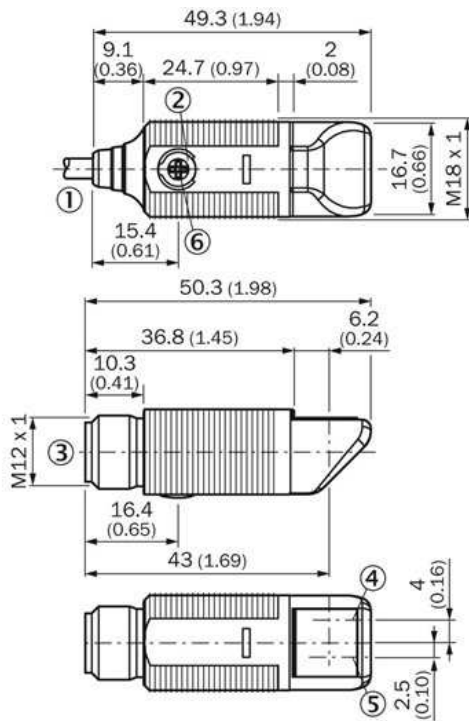
¹⁾ Object with 90 % reflectance (referred to standard white DIN 5033) ²⁾ Average service life of 100,000 h at T_A = +25 °C

Mechanics/electronics

Supply voltage:	10 V DC ... 30 ¹⁾
Ripple:	$\leq 5 V_{pp}$ ²⁾
Power consumption:	30 ³⁾
Output type:	NPN
Switching mode:	Light switching
Signal voltage NPN HIGH/LOW:	$U_v / < 2,9 V$
Output current I _{max.} :	100
Response time:	$\leq 1.25 ms$ ⁴⁾
Switching frequency:	400 ⁵⁾
Connection type:	Connector M12, 3-pin
Circuit protection:::	A, C, D ^{6) 7) 8)}
Protection class:	III
Weight:	8 g
Housing material:	ABS, Plastic
Optics material:	PMMA
Enclosure rating:	IP 67 IP 69K
Ambient operating temperature:	-25 ... 55 °C
Ambient storage temperature:	-25 ... 70 °C
UL File No.:	NRKH.E189383 & NRKH7.E189383

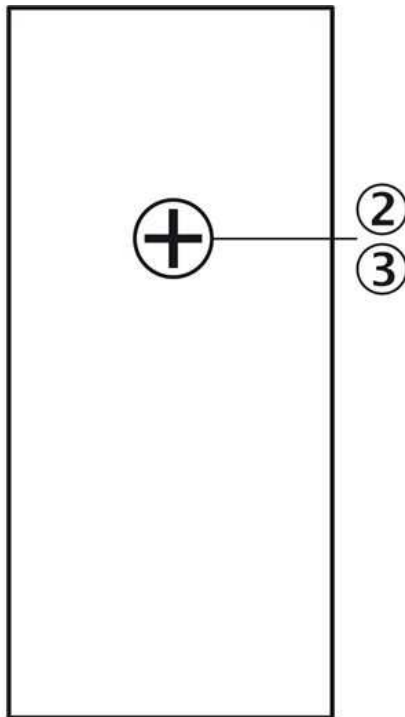
¹⁾ Limit values ²⁾ May not exceed or fall short of V_S tolerances ³⁾ Without load ⁴⁾ Signal transit time with resistive load ⁵⁾ With light/dark ratio 1:1 ⁶⁾ $A = V_S$
connections reverse-polarity protected ⁷⁾ C = interference suppression ⁸⁾ D = outputs overcurrent and short-circuit protected

Dimensional drawing



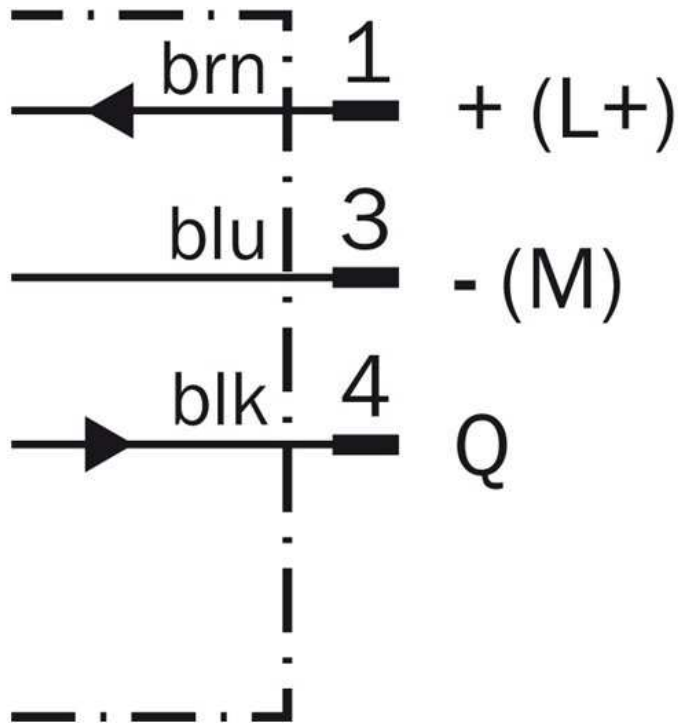
- |1| Connection cable 2 m
- |2| Sensitivity adjustment 270°
- |3| Yellow LED indicator:- lights continuously:light reception> reserve factor 1
.3- blinks: light reception < reserve factor 1.3 but > swit

Adjustments possible

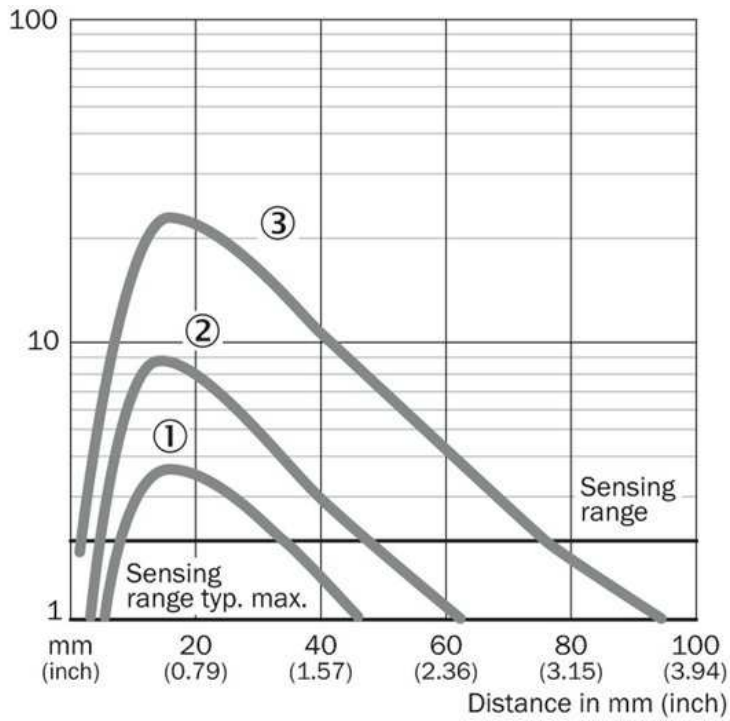


- |2| Sensitivity adjustment 270°
- |3| Yellow LED indicator,-lights continuously: Light reception> reserve factor 1,3-blinks: Light reception > reserve factor 1,3but light reception>switching thres

Connection diagram



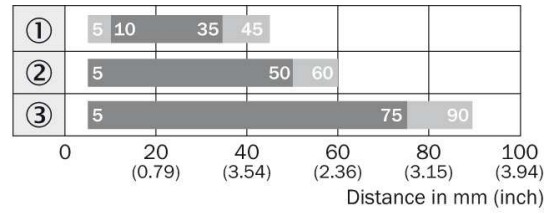
Characteristic curve



Connection type



Sensing range diagram



■ Sensing range ■ Sensing range typ. max.

- ① Sensing range on black, 6 % remission
- ② Sensing range on gray, 18 % remission
- ③ Sensing range on white, 90 % remission

Australia

Phone +61 3 9457 0600
1800 33 48 02 – tollfree
E-Mail sales@sick.com.au

Belgium/Luxembourg

Phone +32 (0)2 466 55 66
E-Mail info@sick.be

Brasil

Phone +55 11 3215-4900
E-Mail marketing@sick.com.br

Canada

Phone +1 905 771 14 44
E-Mail information@sick.com

Česká republika

Phone +420 2 57 91 18 50
E-Mail sick@sick.cz

China

Phone +86 4000 121 000
E-Mail info.china@sick.net.cn
Phone +852-2153 6300
E-Mail ghk@sick.com.hk

Danmark

Phone +45 45 82 64 00
E-Mail sick@sick.dk

Deutschland

Phone +49 211 5301-301
E-Mail info@sick.de

España

Phone +34 93 480 31 00
E-Mail info@sick.es

France

Phone +33 1 64 62 35 00
E-Mail info@sick.fr

Great Britain

Phone +44 (0)1727 831121
E-Mail info@sick.co.uk

India

Phone +91-22-4033 8333
E-Mail info@sick-india.com

Israel

Phone +972-4-6881000
E-Mail info@sick-sensors.com

Italia

Phone +39 02 27 43 41
E-Mail info@sick.it

Japan

Phone +81 (0)3 5309 2112
E-Mail support@sick.jp

Magyarország

Phone +36 1 371 2680
E-Mail office@sick.hu

Nederland

Phone +31 (0)30 229 25 44
E-Mail info@sick.nl

Norge

Phone +47 67 81 50 00
E-Mail sick@sick.no

Österreich

Phone +43 (0)22 36 62 28 8-0
E-Mail office@sick.at

Polska

Phone +48 22 837 40 50
E-Mail info@sick.pl

România

Phone +40 356 171 120
E-Mail office@sick.ro

Russia

Phone +7-495-775-05-30
E-Mail info@sick.ru

Schweiz

Phone +41 41 619 29 39
E-Mail contact@sick.ch

Singapore

Phone +65 6744 3732
E-Mail sales.gsg@sick.com

Slovenija

Phone +386 (0)1-47 69 990
E-Mail office@sick.si

South Africa

Phone +27 11 472 3733
E-Mail info@sickautomation.co.za

South Korea

Phone +82 2 786 6321/4
E-Mail info@sickkorea.net

Suomi

Phone +358-9-25 15 800
E-Mail sick@sick.fi

Sverige

Phone +46 10 110 10 00
E-Mail info@sick.se

Taiwan

Phone +886 2 2375-6288
E-Mail sales@sick.com.tw

Türkiye

Phone +90 (216) 528 50 00
E-Mail info@sick.com.tr

United Arab Emirates

Phone +971 (0) 4 88 65 878
E-Mail info@sick.ae

USA/México

Phone +1(952) 941-6780
1 (800) 325-7425 – tollfree
E-Mail info@sickusa.com

More representatives and agencies
at www.sick.com