



Photoelectric sensors  
MH15, Through-beam photoelectric sensor

MHSE15-N2338



**Model Name** > [MHSE15-N2338](#)  
**Part No.** > [1026148](#)



*Illustration may differ*

**At a glance**

- Long sensing distance up to 5 m
- Indicator LED shows active switching output and operating reserve
- Straight or right-angle housing designs available
- Mounting accessories (M18 nuts and snap ring) are included

**Your benefits**

- MHSE15 sender/ receiver photoelectric sensors reduce miscounts and false triggers for increased machine throughput
- Shortest M18 body on the market, saving installation space
- Flush mounting via snap ring reduces setup time and prevents obstructions to material flow on conveyor systems
- MHSE15 is compatible with competitor sensors for easy replacement that saves installation time and costs
- Rugged IP 69K-rated housing offers a long service life that withstands harsh environments, reducing maintenance time and costs



**Features**

Sensor/detection principle:	Through-beam photoelectric sensor
Housing design (light emission):	Cylindrical, angled
Housing length:	49.3 mm
Thread diameter (housing):	M18 x 1
Optical axis:	radial
Sensing range max.:	0 m ... 4 m
Sensing range:	0 m ... 2.8 m
Type of light:	Visible red light
Light source:	LED <sup>1)</sup>
Wave length:	650 nm
Angle of dispersion:	Ca. 1.5 °
Light spot size (distance):	Ø 50 mm (3 m)

<sup>1)</sup> Average service life of 100,000 h at T<sub>A</sub> = +25 °C

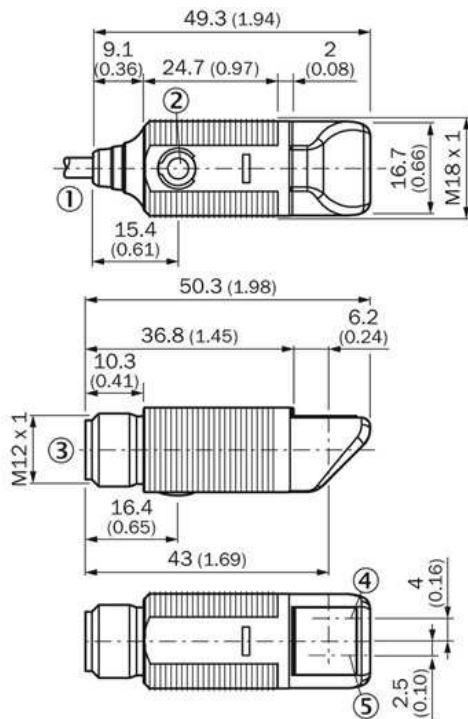
**Mechanics/electronics**

Supply voltage:	10 V DC ... 30 <sup>1)</sup>
Power consumption:	30 <sup>2)</sup>
Output type:	NPN
Switching mode:	Light switching

Signal voltage NPN HIGH/LOW:	$U_v / < 2,9 \text{ V}$
Output current $I_{max}$ :	100
Response time:	$\leq 1.4 \text{ ms}$ <sup>3)</sup>
Switching frequency:	350 <sup>4)</sup>
Connection type:	Cable, 3-wire, 2 m <sup>5)</sup>
Cable material:	PVC
Conductor cross-section:	0.14 mm <sup>2</sup>
Cable diameter:	3.7 mm
Circuit protection:::	A, C, D <sup>6) 7) 8)</sup>
Protection class:	III
Weight:	91 g
Housing material:	ABS, Plastic
Optics material:	PMMA
Enclosure rating:	IP 67 IP 69K
Ambient operating temperature:	-25 ... 55 °C
Ambient storage temperature:	-25 ... 70 °C
Part number of individual components:	Receiver, MHE15-N2338, 2031157, Sender, MHS15-D2038, 2031165
UL File No.:	NRKH.E189383 & NRKH7.E189383

1) Limit values 2) Without load 3) Signal transit time with resistive load 4) With light/dark ratio 1:1 5) Do not bend below 0 °C 6) A = V<sub>S</sub> connections reverse-polarity protected 7) C = interference suppression 8) D = outputs overcurrent and short-circuit protected

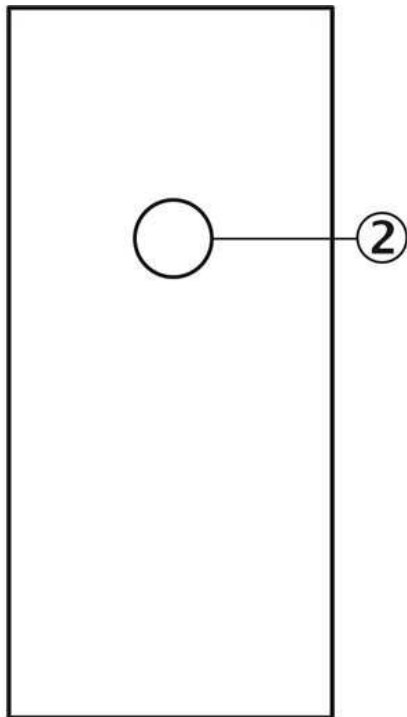
## Dimensional drawing



|1| Connection cable 2 m  
|2| LED indicator yellow,- lights  
continuously: Light reception > switching threshold 1

|4| Axis of sender  
|5| axis of receiver

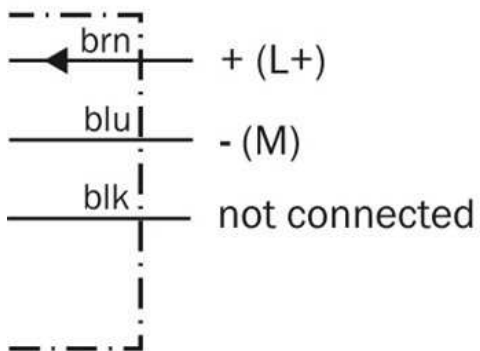
Adjustments possible



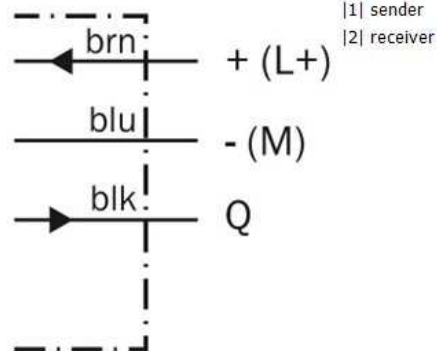
|2| Yellow LED indicator,-lights continuously: Light reception> reserve factor 1,5-blinks: Light reception >reserve factor 1,5but light reception>switching three

Connection diagram

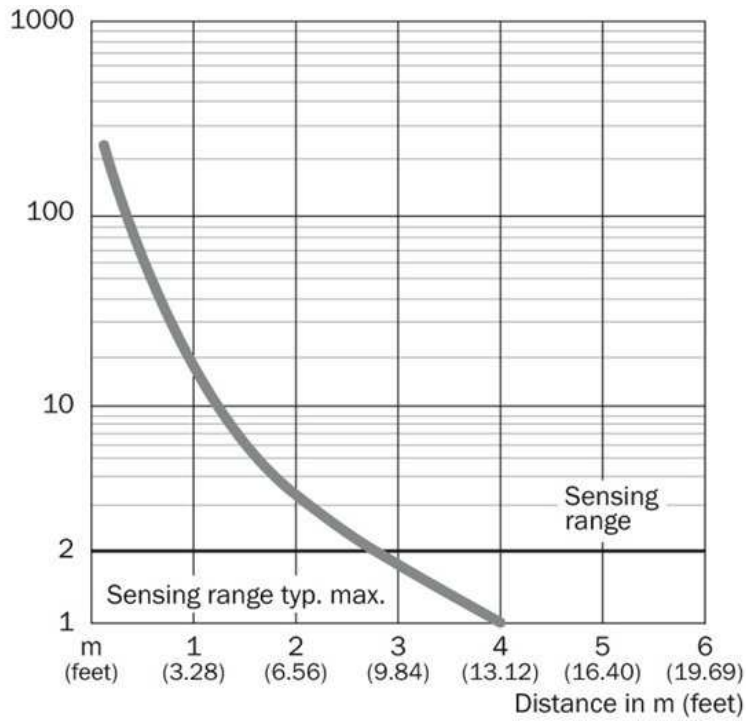
①



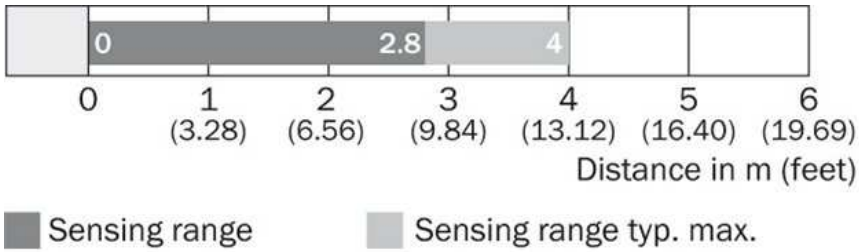
②



### Characteristic curve

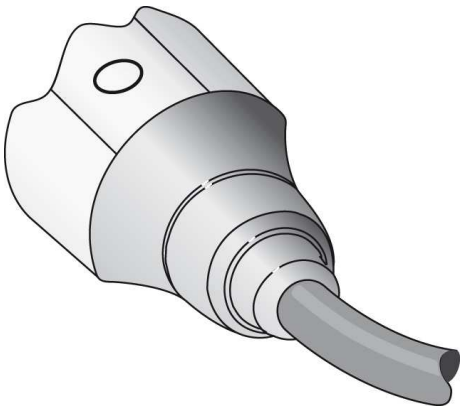


### Sensing range diagram



Connection type

---



**Australia**

Phone +61 3 9457 0600  
1800 33 48 02 – tollfree  
E-Mail sales@sick.com.au

**Belgium/Luxembourg**

Phone +32 (0)2 466 55 66  
E-Mail info@sick.be

**Brasil**

Phone +55 11 3215-4900  
E-Mail marketing@sick.com.br

**Canada**

Phone +1 905 771 14 44  
E-Mail information@sick.com

**Česká republika**

Phone +420 2 57 91 18 50  
E-Mail sick@sick.cz

**China**

Phone +86 4000 121 000  
E-Mail info.china@sick.net.cn  
Phone +852-2153 6300  
E-Mail ghk@sick.com.hk

**Danmark**

Phone +45 45 82 64 00  
E-Mail sick@sick.dk

**Deutschland**

Phone +49 211 5301-301  
E-Mail info@sick.de

**España**

Phone +34 93 480 31 00  
E-Mail info@sick.es

**France**

Phone +33 1 64 62 35 00  
E-Mail info@sick.fr

**Great Britain**

Phone +44 (0)1727 831121  
E-Mail info@sick.co.uk

**India**

Phone +91-22-4033 8333  
E-Mail info@sick-india.com

**Israel**

Phone +972-4-6881000  
E-Mail info@sick-sensors.com

**Italia**

Phone +39 02 27 43 41  
E-Mail info@sick.it

**Japan**

Phone +81 (0)3 5309 2112  
E-Mail support@sick.jp

**Magyarország**

Phone +36 1 371 2680  
E-Mail office@sick.hu

**Nederland**

Phone +31 (0)30 229 25 44  
E-Mail info@sick.nl

**Norge**

Phone +47 67 81 50 00  
E-Mail sick@sick.no

**Österreich**

Phone +43 (0)22 36 62 28 8-0  
E-Mail office@sick.at

**Polska**

Phone +48 22 837 40 50  
E-Mail info@sick.pl

**România**

Phone +40 356 171 120  
E-Mail office@sick.ro

**Russia**

Phone +7-495-775-05-30  
E-Mail info@sick.ru

**Schweiz**

Phone +41 41 619 29 39  
E-Mail contact@sick.ch

**Singapore**

Phone +65 6744 3732  
E-Mail sales.gsg@sick.com

**Slovenija**

Phone +386 (0)1-47 69 990  
E-Mail office@sick.si

**South Africa**

Phone +27 11 472 3733  
E-Mail info@sickautomation.co.za

**South Korea**

Phone +82 2 786 6321/4  
E-Mail info@sickkorea.net

**Suomi**

Phone +358-9-25 15 800  
E-Mail sick@sick.fi

**Sverige**

Phone +46 10 110 10 00  
E-Mail info@sick.se

**Taiwan**

Phone +886 2 2375-6288  
E-Mail sales@sick.com.tw

**Türkiye**

Phone +90 (216) 528 50 00  
E-Mail info@sick.com.tr

**United Arab Emirates**

Phone +971 (0) 4 88 65 878  
E-Mail info@sick.ae

**USA/México**

Phone +1(952) 941-6780  
1 (800) 325-7425 – tollfree  
E-Mail info@sickusa.com

More representatives and agencies  
at [www.sick.com](http://www.sick.com)