



safety laser scanners  
S300 Professional, Laser scanner

S30B-2011DA



**Model Name** > [S30B-2011DA](#)  
**Part No.** > [1026822](#)



**At a glance**

- Compact design
- 2 m protective field range
- 270° scan angle
- 8 switchable field sets
- Configuration memory integrated in the system plug
- EFI interface for safe SICK device communication
- Incremental encoder inputs for speed-dependent field switching
- Measured data output via RS-422

**Your benefits**

- Simple integration due to compact design
- Unbeatable cost-effectiveness - 270° scan angle allows complete application protection with only two scanners
- Easy installation, commissioning and maintenance for stationary and mobile applications
- Variety of field sets guarantees safety and productivity when protecting vehicles or moving machine parts
- Quick recommissioning via configuration memory
- Easy modular expansions, simple cabling and additional functions using SICK safety controllers with EFI
- The correct protective field at any speed avoids unnecessary stops.
- Personnel protection and navigation support in one device



**Applications**

Hazardous area protection (vertical):	✓
Access protection (vertical):	✓
Hazardous area protection (horizontal):	✓

**Functions**

Static protective field switching:	✓
Incremental encoder inputs:	✓
External device monitoring (EDM):	✓
Integrated configuration memory:	✓
Expanded measured data output (CMS):	-
Measured data output:	✓

Safe SICK device communication via EFI/SDL: ✓

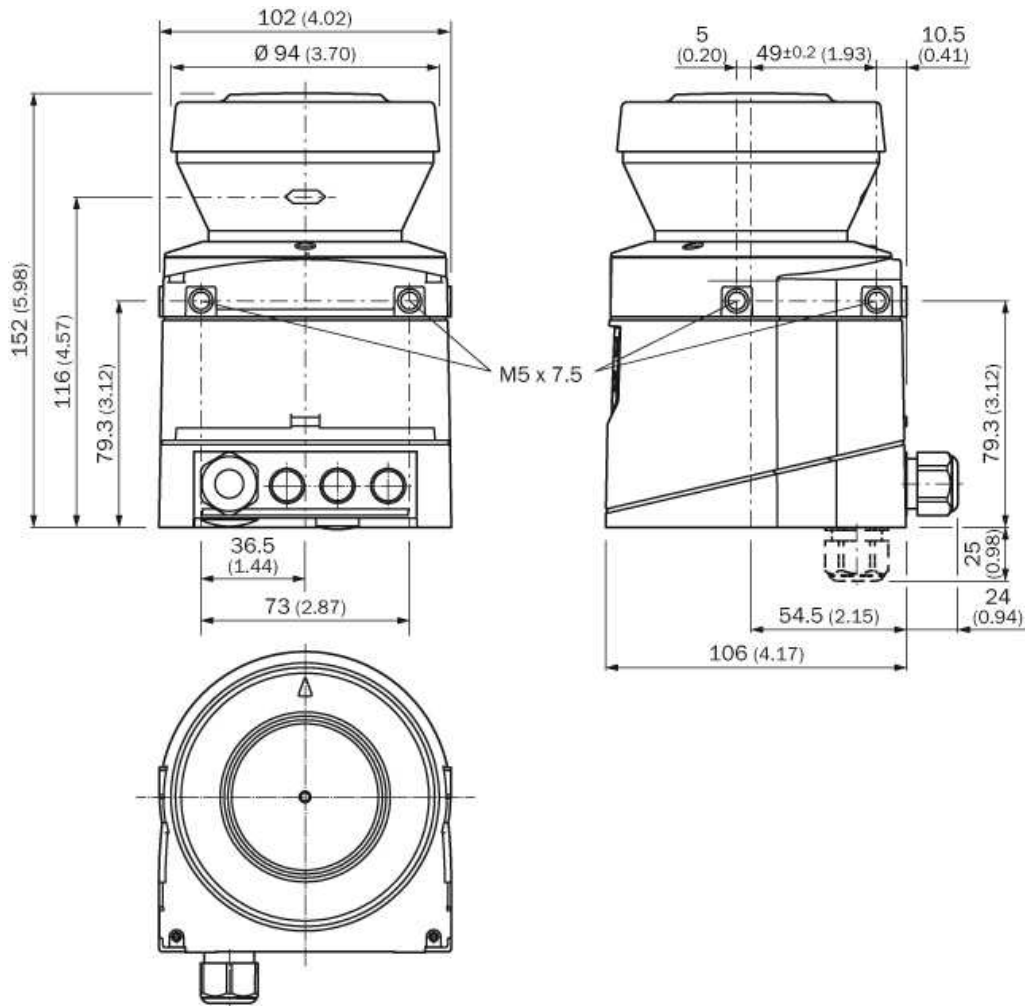
## Technical data

---

Laser class:	1 (21 CFR 1040.10 and 1040.11, DIN EN 60825:2001)
Enclosure rating:	IP 65 (EN 60529)
Protection class:	II (EN 50178)
Type:	Type 3 (IEC 61496)
Safety integrity level:	SIL2 (IEC 61508), SILCL2 (EN 62061)
Category:	Category 3 (EN ISO 13849)
Performance level:	PL d (EN ISO 13849)
PFHd:	8.0 * 1E-08 (EN ISO 13849)
TM (mission time):	20 a (EN ISO 13849)
Ambient operating temperature:	-10 °C ... +50 °C
Dimensions (W x H x D):	102 mm x 152 mm x 106 mm
Weight:	1.2 kg
Scan angle:	270 °
Protective field range:	2 m
Maximum warning field range:	8 m
Number of field sets:	8
Type of field set:	Triple field sets
Number of monitoring cases:	32
Response time:	80 ms <sup>1)</sup>
Resolution:	30 mm, 40 mm, 50 mm, 70 mm, configurable
Distance measuring range:	30 m
Number of multiple samplings:	Configurable 2 ... 16
Electrical connection:	System plug with or without connecting cable
Supply voltage:	16.8 V DC, 24 V DC, 30 V DC
Number of universal I/Os:	5 <sup>2)</sup>
Number of EDM inputs:	1 <sup>3)</sup>
Number of reset-/restart inputs:	1 <sup>4)</sup>
Number of static control inputs:	3 <sup>5)</sup>
Number of static control inputs with EFI:	5 <sup>6)</sup>
Number of dynamic control inputs:	2 <sup>7)</sup>
Number of stand-by inputs:	1
Number of safe outputs:	2, Safety outputs (OSSD)
Number of application diagnostic outputs:	3 <sup>8)</sup>
Maximum output current:	250 mA
Configuration and diagnostics interface:	RS-232
Data interface:	RS-422

<sup>1)</sup> Depending on basic response time and multiple sampling <sup>2)</sup> Freely programmable, e.g., input external device monitoring, input reset, contamination warning, reset required <sup>3)</sup> <sup>4)</sup> Availability depends on the configuration of the universal I/Os <sup>5)</sup> 2+1; additional input only available if reset and reset required are not used. <sup>6)</sup> In combination with an EFI device (Flexi Soft or EFI gateway) five static control inputs are available. Otherwise three. <sup>7)</sup> Two of the static switching signals can be used either as dynamic or as static switching signals. <sup>8)</sup> Freely programmable, e.g., warning field, contamination, reset required

Dimensional drawing



**Australia**

Phone +61 3 9457 0600  
1800 33 48 02 – tollfree  
E-Mail sales@sick.com.au

**Belgium/Luxembourg**

Phone +32 (0)2 466 55 66  
E-Mail info@sick.be

**Brasil**

Phone +55 11 3215-4900  
E-Mail marketing@sick.com.br

**Canada**

Phone +1 905 771 14 44  
E-Mail information@sick.com

**Česká republika**

Phone +420 2 57 91 18 50  
E-Mail sick@sick.cz

**China**

Phone +86 4000 121 000  
E-Mail info.china@sick.net.cn  
Phone +852-2153 6300  
E-Mail ghk@sick.com.hk

**Danmark**

Phone +45 45 82 64 00  
E-Mail sick@sick.dk

**Deutschland**

Phone +49 211 5301-301  
E-Mail info@sick.de

**España**

Phone +34 93 480 31 00  
E-Mail info@sick.es

**France**

Phone +33 1 64 62 35 00  
E-Mail info@sick.fr

**Great Britain**

Phone +44 (0)1727 831121  
E-Mail info@sick.co.uk

**India**

Phone +91-22-4033 8333  
E-Mail info@sick-india.com

**Israel**

Phone +972-4-6881000  
E-Mail info@sick-sensors.com

**Italia**

Phone +39 02 27 43 41  
E-Mail info@sick.it

**Japan**

Phone +81 (0)3 5309 2112  
E-Mail support@sick.jp

**Magyarország**

Phone +36 1 371 2680  
E-Mail office@sick.hu

**Nederland**

Phone +31 (0)30 229 25 44  
E-Mail info@sick.nl

**Norge**

Phone +47 67 81 50 00  
E-Mail sick@sick.no

**Österreich**

Phone +43 (0)22 36 62 28 8-0  
E-Mail office@sick.at

**Polska**

Phone +48 22 837 40 50  
E-Mail info@sick.pl

**România**

Phone +40 356 171 120  
E-Mail office@sick.ro

**Russia**

Phone +7-495-775-05-30  
E-Mail info@sick.ru

**Schweiz**

Phone +41 41 619 29 39  
E-Mail contact@sick.ch

**Singapore**

Phone +65 6744 3732  
E-Mail sales.gsg@sick.com

**Slovenija**

Phone +386 (0)1-47 69 990  
E-Mail office@sick.si

**South Africa**

Phone +27 11 472 3733  
E-Mail info@sickautomation.co.za

**South Korea**

Phone +82 2 786 6321/4  
E-Mail info@sickkorea.net

**Suomi**

Phone +358-9-25 15 800  
E-Mail sick@sick.fi

**Sverige**

Phone +46 10 110 10 00  
E-Mail info@sick.se

**Taiwan**

Phone +886 2 2375-6288  
E-Mail sales@sick.com.tw

**Türkiye**

Phone +90 (216) 528 50 00  
E-Mail info@sick.com.tr

**United Arab Emirates**

Phone +971 (0) 4 88 65 878  
E-Mail info@sick.ae

**USA/México**

Phone +1(952) 941-6780  
1 (800) 325-7425 – tollfree  
E-Mail info@sickusa.com

More representatives and agencies  
at [www.sick.com](http://www.sick.com)