



Reflectors and optics
Illuminations / LED

ICL110-F142



Model Name > [ICL110-F142](#)
Part No. > [1027286](#)



At a glance

- High-intensity illumination through current regulation
- Working distances from 100 mm up to 350 mm
- Rugged IP 65-rated housings
- Optimized distribution of light to ensure consistent results, even of the picture edges (vignetting)
- Trigger input

Your benefits

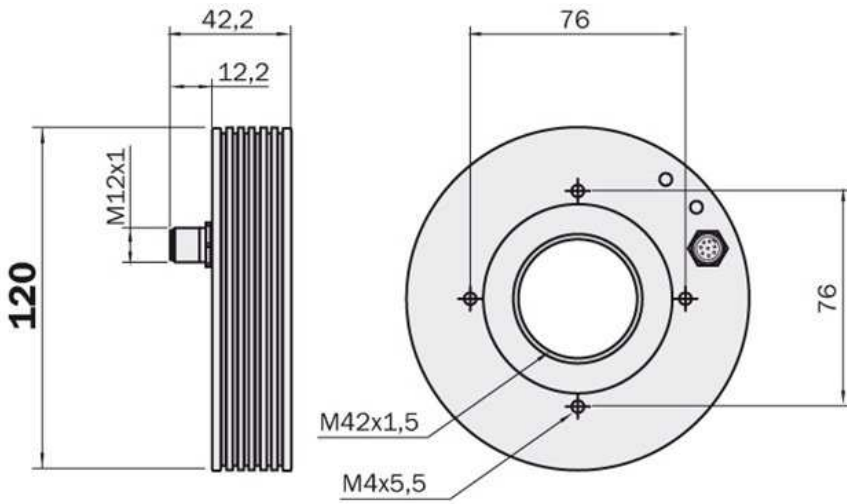
- ICL lights are current-regulated, high-intensity LED lights, which ensure stable and reliable light conditions for your applications
- Working distances from 100 mm up to 350 mm provide increased application flexibility.
- Rugged IP 65-rated housings enable installations in harsh environments
- All ICL lights have an optimized distribution of light to ensure consistent results, even at the edges of the image, vignetting
- Trigger input enables users to control the light from the camera, making integration easier by reducing need for additional lighting controls

Technical data

Description:	Ring lighting, bright field spot, white lighting color, lighting distance 100 mm ... 350 mm
Ambient operating temperature:	0 °C ... +50 °C
Accessory group:	Illuminations
Accessory family:	LED
Supply voltage:	24 V DC, ± 20 %
Connectors:	Plug, M12, 8-pin
Enclosure rating:	IP 65
Weight:	Ca. 580 g
Ambient storage temperature:	-25 °C ... +70 °C ¹⁾
Power consumption:	≤ 250 mA
Light source:	LED, white
Life time of LED:	> 50,000 h
LED class:	Risk group 1 (low risk, IEC62471 : 2006)
Trigger input signal:	TTL, max 28,8 V, LOW = lighting on
Illuminated field:	110 mm ² x 110 mm ² ²⁾
Sensing distance:	100 mm ... 350 mm

¹⁾ Relative humidity: 93 % ²⁾ At 250 mm

Dimensional drawing



Australia

Phone +61 3 9457 0600
1800 33 48 02 – tollfree
E-Mail sales@sick.com.au

Belgium/Luxembourg

Phone +32 (0)2 466 55 66
E-Mail info@sick.be

Brasil

Phone +55 11 3215-4900
E-Mail marketing@sick.com.br

Canada

Phone +1 905 771 14 44
E-Mail information@sick.com

Česká republika

Phone +420 2 57 91 18 50
E-Mail sick@sick.cz

China

Phone +86 4000 121 000
E-Mail info.china@sick.net.cn
Phone +852-2153 6300
E-Mail ghk@sick.com.hk

Danmark

Phone +45 45 82 64 00
E-Mail sick@sick.dk

Deutschland

Phone +49 211 5301-301
E-Mail info@sick.de

España

Phone +34 93 480 31 00
E-Mail info@sick.es

France

Phone +33 1 64 62 35 00
E-Mail info@sick.fr

Great Britain

Phone +44 (0)1727 831121
E-Mail info@sick.co.uk

India

Phone +91-22-4033 8333
E-Mail info@sick-india.com

Israel

Phone +972-4-6881000
E-Mail info@sick-sensors.com

Italia

Phone +39 02 27 43 41
E-Mail info@sick.it

Japan

Phone +81 (0)3 5309 2112
E-Mail support@sick.jp

Magyarország

Phone +36 1 371 2680
E-Mail office@sick.hu

Nederland

Phone +31 (0)30 229 25 44
E-Mail info@sick.nl

Norge

Phone +47 67 81 50 00
E-Mail sick@sick.no

Österreich

Phone +43 (0)22 36 62 28 8-0
E-Mail office@sick.at

Polska

Phone +48 22 837 40 50
E-Mail info@sick.pl

România

Phone +40 356 171 120
E-Mail office@sick.ro

Russia

Phone +7-495-775-05-30
E-Mail info@sick.ru

Schweiz

Phone +41 41 619 29 39
E-Mail contact@sick.ch

Singapore

Phone +65 6744 3732
E-Mail sales.gsg@sick.com

Slovenija

Phone +386 (0)1-47 69 990
E-Mail office@sick.si

South Africa

Phone +27 11 472 3733
E-Mail info@sickautomation.co.za

South Korea

Phone +82 2 786 6321/4
E-Mail info@sickkorea.net

Suomi

Phone +358-9-25 15 800
E-Mail sick@sick.fi

Sverige

Phone +46 10 110 10 00
E-Mail info@sick.se

Taiwan

Phone +886 2 2375-6288
E-Mail sales@sick.com.tw

Türkiye

Phone +90 (216) 528 50 00
E-Mail info@sick.com.tr

United Arab Emirates

Phone +971 (0) 4 88 65 878
E-Mail info@sick.ae

USA/México

Phone +1(952) 941-6780
1 (800) 325-7425 – tollfree
E-Mail info@sickusa.com

More representatives and agencies
at www.sick.com