



Contrast sensors KT1M

KT1M-N2



Model Name > [KT1M-N2](#)
Part No. > [1027305](#)



At a glance

- For detecting simple contrast differences, such as black marks on light backgrounds
- Small round housing with mounting accessories
- NPN and PNP models
- Light or dark switching functions
- Adjustment via potentiometer

Your benefits

- Cost-effective, application-specific sensor performance
- Quick and simple to integrate into machine designs
- LED indicator shows current operation status

The product has been discontinued. Please contact your SICK sales representative for more information about a replacement product.



Features

Sensing distance:	23.5 mm
Sensing distance tolerance:	± 1.5 mm
Light source ^{1), 2)} :	LED, white
Light spot size:	Ø 2 mm
Adjustment:	Manual adjustment, potentiometer
Output function:	Dark switching

¹⁾ Average service life of 100,000 h at T_A = +25 °C ²⁾ Wave length: 450 nm ... 650 nm

Mechanics/electronics

Supply voltage V _s ¹⁾ :	DC 10 V ... 30 V
Ripple ²⁾ :	≤ 5 Vpp
Power consumption ³⁾ :	< 20 mA
Switching frequency ⁴⁾ :	400 Hz
Response time ⁵⁾ :	1.25 ms
Output type:	NPN: HIGH = approx. VS / LOW = 3 V
Switching mode:	NPN
Connection type:	Connector M12, 3-pin
Protection class ⁶⁾ :	II

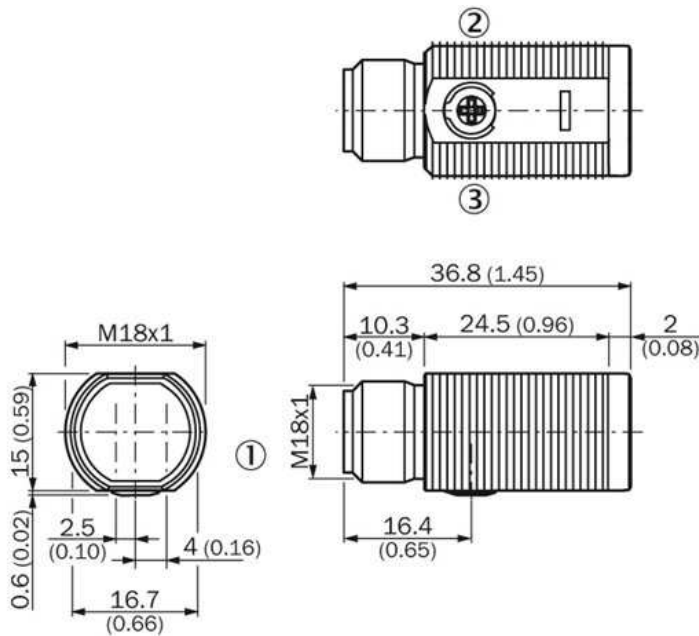
Circuit protection:	Outputs overcurrent and short-circuit protected, Interference suppression, VS connections reverse-polarity protected
Enclosure rating:	IP 67
Weight:	Ca. 7 g
Housing material:	ABS (plastic), Optics: PMMA
Output current I _{max.} :	100 mA

1) Limit values: operation in short-circuit protected network max. 8 A 2) May not exceed or fall short of V_S tolerances 3) Without load 4) With light/dark ratio 1:1 5)
 Signal transit time with resistive load 6) Reference voltage DC 50 V

Ambient data

Ambient temperature:	Operation: -10 ... 55 °C, Storage: -25 ... 70 °C
Shock load:	According to IEC 60068

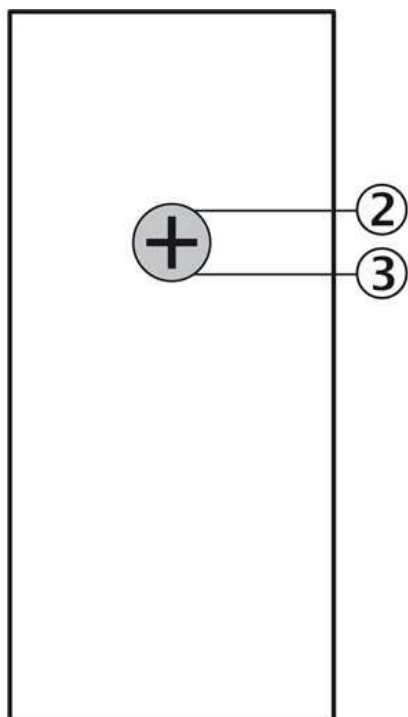
Dimensional drawing



- |1| Connector M12
- |2| Sensitivity adjustment 270°
- |3| LED indicator yellow

All dimensions in mm (inch)

Adjustments

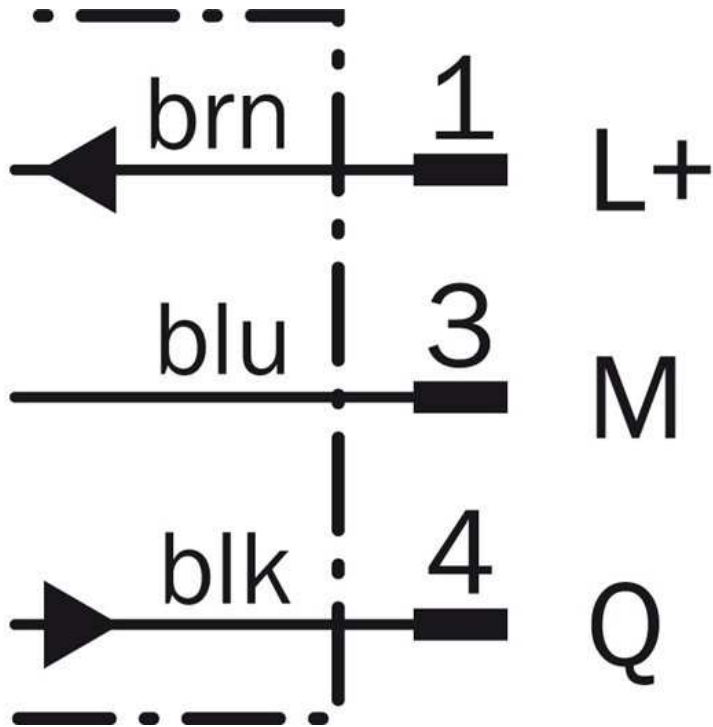


- |2| Sensitivity adjustment 270°
- |3| LED indicator yellow

Connection type



Connection diagram



Australia

Phone +61 3 9457 0600
1800 33 48 02 – tollfree
E-Mail sales@sick.com.au

Belgium/Luxembourg

Phone +32 (0)2 466 55 66
E-Mail info@sick.be

Brasil

Phone +55 11 3215-4900
E-Mail marketing@sick.com.br

Canada

Phone +1 905 771 14 44
E-Mail information@sick.com

Česká republika

Phone +420 2 57 91 18 50
E-Mail sick@sick.cz

China

Phone +86 4000 121 000
E-Mail info.china@sick.net.cn
Phone +852-2153 6300
E-Mail ghk@sick.com.hk

Danmark

Phone +45 45 82 64 00
E-Mail sick@sick.dk

Deutschland

Phone +49 211 5301-301
E-Mail info@sick.de

España

Phone +34 93 480 31 00
E-Mail info@sick.es

France

Phone +33 1 64 62 35 00
E-Mail info@sick.fr

Great Britain

Phone +44 (0)1727 831121
E-Mail info@sick.co.uk

India

Phone +91-22-4033 8333
E-Mail info@sick-india.com

Israel

Phone +972-4-6881000
E-Mail info@sick-sensors.com

Italia

Phone +39 02 27 43 41
E-Mail info@sick.it

Japan

Phone +81 (0)3 5309 2112
E-Mail support@sick.jp

Magyarország

Phone +36 1 371 2680
E-Mail office@sick.hu

Nederland

Phone +31 (0)30 229 25 44
E-Mail info@sick.nl

Norge

Phone +47 67 81 50 00
E-Mail sick@sick.no

Österreich

Phone +43 (0)22 36 62 28 8-0
E-Mail office@sick.at

Polska

Phone +48 22 837 40 50
E-Mail info@sick.pl

România

Phone +40 356 171 120
E-Mail office@sick.ro

Russia

Phone +7-495-775-05-30
E-Mail info@sick.ru

Schweiz

Phone +41 41 619 29 39
E-Mail contact@sick.ch

Singapore

Phone +65 6744 3732
E-Mail sales.gsg@sick.com

Slovenija

Phone +386 (0)1-47 69 990
E-Mail office@sick.si

South Africa

Phone +27 11 472 3733
E-Mail info@sickautomation.co.za

South Korea

Phone +82 2 786 6321/4
E-Mail info@sickkorea.net

Suomi

Phone +358-9-25 15 800
E-Mail sick@sick.fi

Sverige

Phone +46 10 110 10 00
E-Mail info@sick.se

Taiwan

Phone +886 2 2375-6288
E-Mail sales@sick.com.tw

Türkiye

Phone +90 (216) 528 50 00
E-Mail info@sick.com.tr

United Arab Emirates

Phone +971 (0) 4 88 65 878
E-Mail info@sick.ae

USA/México

Phone +1(952) 941-6780
1 (800) 325-7425 – tollfree
E-Mail info@sickusa.com

More representatives and agencies
at www.sick.com