



## Long range distance sensors DMT, DMT10-2

DMT10-2-1211



**Model Name** > [DMT10-2-1211](#)  
**Part No.** > [1027604](#)

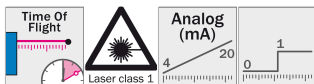


**At a glance**

- Measurement range from 0.5 m up to 155 m on natural targets
- Excellent accuracy thanks to time-of-flight measurement
- Easy alignment thanks to pilot laser
- Freely programmable parameters
- RS-422, RS-232, PROFIBUS, analog and two switching outputs
- Near field blanking parameter for operation through a protection window
- Models with filter for measurement of glowing, hot metal (up to 1,400 °C)

**Your benefits**

- Extremely wide measurement range of up to 155 m on natural targets offers high flexibility in applications where range is key
- Supplementary visible alignment laser allows fast and easy alignment - even over long distances, offering fast and cost-effective installation
- Tough metal housing design for trouble-free operation in the roughest environmental conditions
- Non-visible, Class 1 IR laser for safe measurement and detection
- User-friendly software with an easy-to-follow interface ensures fast and cost-optimized setup
- Serial and analog interfaces as well as two digital switching outputs allow flexible use for varied applications
- Integrated filter option allows for direct measurement of 1,400 °C glowing, hot targets



CE III **RS-232 RS-422**

**Performance**

Measurement range:	0.5 m ... 155 m, 90 % remission 0.5 m ... 40 m, 6 % remission 0.5 m ... 65 m, 18 % remission
Resolution:	≤ 1 mm
Repeatability <sup>1), 2), 3), 4)</sup> :	10 mm, 7 mm
Accuracy <sup>5), 6)</sup> :	± 10 mm
Light source:	Laser, infrared
Typ. light spot size (distance):	20 mm (+ 5 x distance in m)
Average depth:	1/16/64/256/1,024
Aperture delay time:	1 s <sup>7)</sup>
Note:	Mechanical aperture
Response time <sup>8)</sup> :	1 ms ... 4,000 ms

Cycle time:	1,024 per sec.
Special characteristic:	Mechanical aperture
Laser class:	1 (EN 60825-1:Nov.2001, IEC 60825-1:ÄM2:2001)
Output time:	1 ms ... 4,000 ms

Dependant on average setting, average depth, timeout, baud rate, data output and output format;

1) Dependant on distance and remission, 7 mm, at 6 % ... 90 % remission from 0.5 m ... 65 m, at 6 % ... 18 % remission from 0.5 m ... 40 m, at 6 % remission from 0.5 m ... 15 m 2) 4) Environmental conditions constant, min. warm-up time 30 min, average depth 1,024, statistical error  $1 \sigma$  3) Dependant on distance and remission, 10 mm, at 6 % ... 90 % remission from 60 m ... 155 m, at 6 % ... 18 % remission from 40 m ... 65 m, at 6 % remission from 15 m ... 40 m 5) 23 °C air temperature, 977 hPa, min. warm-up time 30 min. 6) When operating in ambient temperatures between +40 °C ... +55 °C the accuracy can decrease by factor 2.5 7) Dependant on average setting, average depth, timeout, baud rate, data output and output format 8) Dependant on average setting, average depth, timeout, baud rate, data output, output format and effective dead time of aperture

## Interfaces

Data interface:	PROFIBUS DP
Output type 1):	Q1, Q2
Interface for parametrization:	RS-232
Analog output:	4 mA ... 20 mA, scalable

1) Output Q short-circuit protected

## Mechanics/electronics

Supply voltage $V_s$ :	DC 18 V ... 30 V, limit values
Ripple 1):	< 5 Vpp
Initialization time:	6 s
Weight:	Ca. 1,200 g
Output current $I_A$ :	100 mA
Power consumption 2):	≤ 6 W
Connection type:	1 x cable gland, 1 x Sub-D, 9-pin

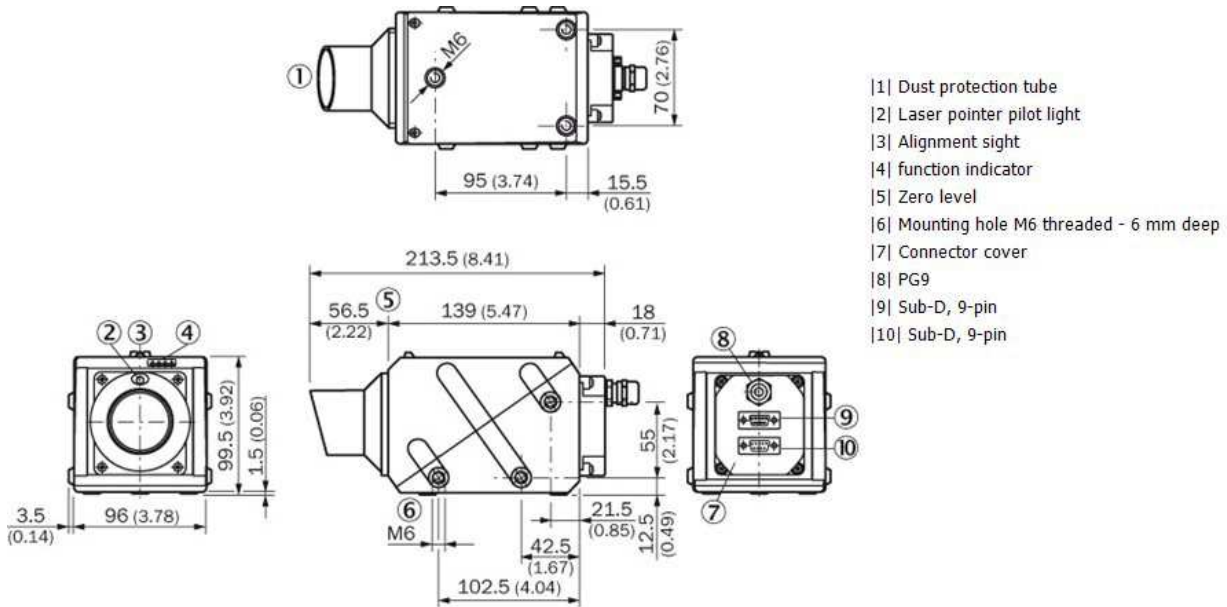
1) May not fall short of or exceed  $V_s$  tolerances 2) Without load

## Ambient data

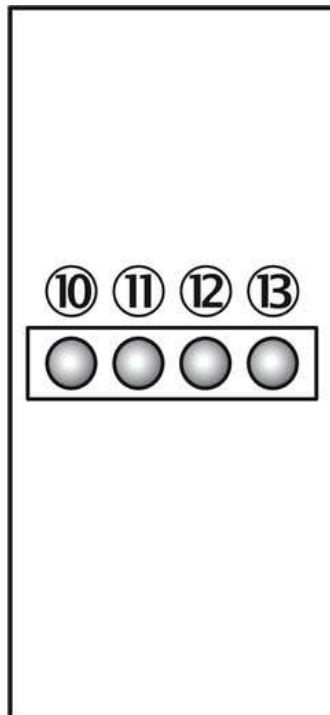
Enclosure rating:	IP 65
Protection class 1):	III
Temperature drift 2), 3):	Typ. 0.3 mm/K Typ. 0.6 mm/K
Ambient temperature:	Operation with cooling case: -10 ... +75 °C Operation: -10 ... +55 °C Storage: -25 ... +70 °C
Mechanical load:	Shock: IEC 60068-2-27, -2-29 Sine: IEC 60068-2-6
Electromagnetic compatibility (EMC):	EN 55011:1998 Kl. B, Gr.1/EN 61000-6-2

1) Reference voltage DC 50 V PELV-voltage (EN 50178) 2) -10 °C ... 0 °C, +40 °C ... +55 °C 3) 0 °C ... +40 °C

**Dimensional drawing**

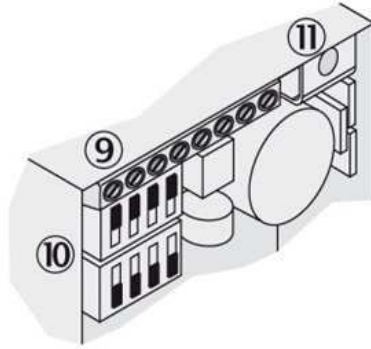
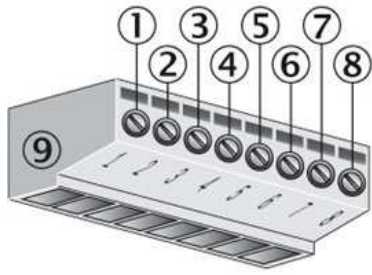


**Adjustment possible**



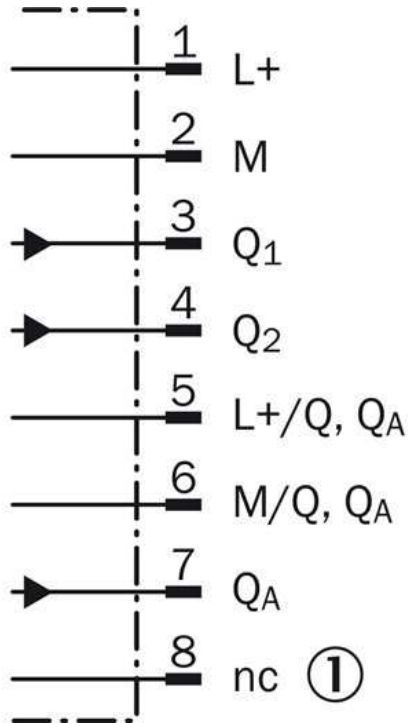
- |10| Q2 function indicator
- |11| Q1 function indicator
- |12| Operating indicator, green
- |13| Plausibility (measurement error) red

Connection type DMxxx-2 RS232/RS-422, PG9



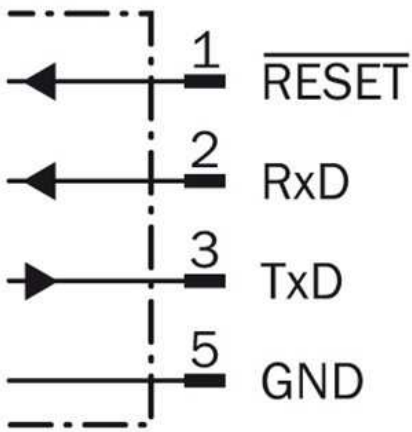
- |1| Pin 1
- |2| Pin 2
- |3| Pin 3
- |4| Pin 4
- |5| Pin 5
- |6| Pin 6
- |7| Pin 7
- |8| Pin 8
- |9| Terminals
- |10| DIP switches RS-232-/RS-422 switching
- |11| Shield

Connection diagram DMxxx-2 RS232/RS-422, PG9

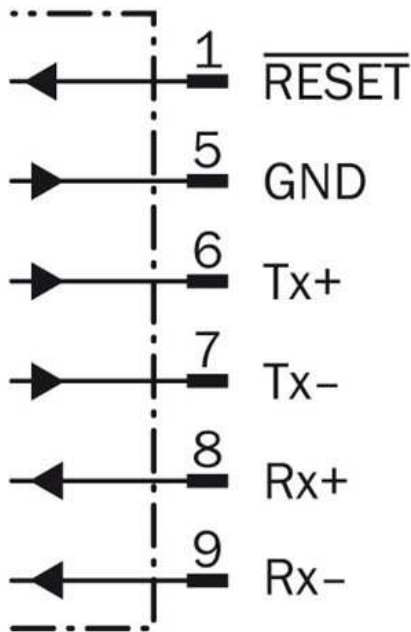


|12| not connected

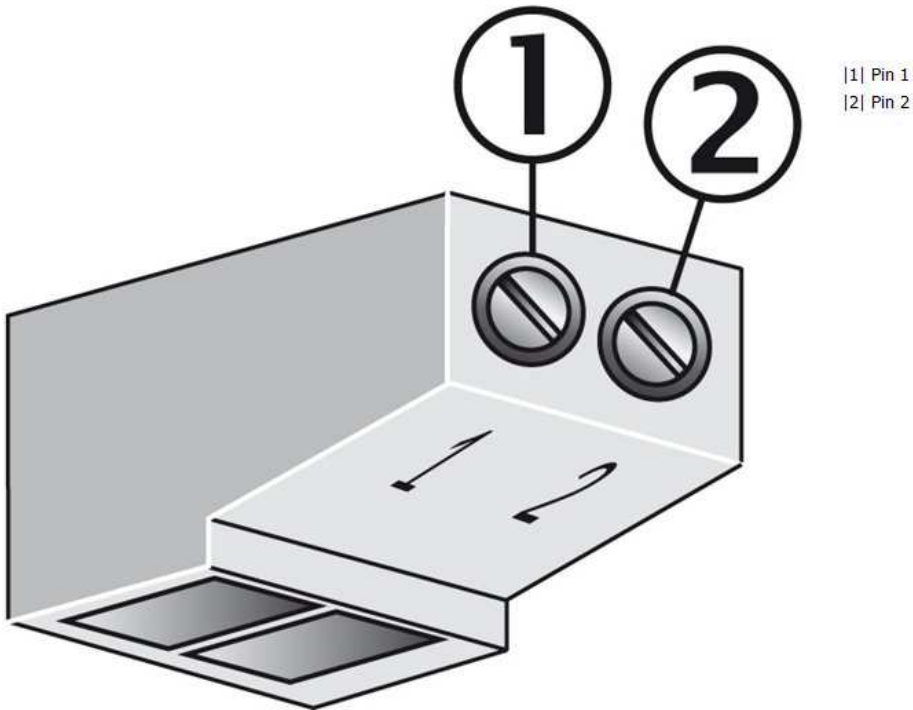
### RS-232



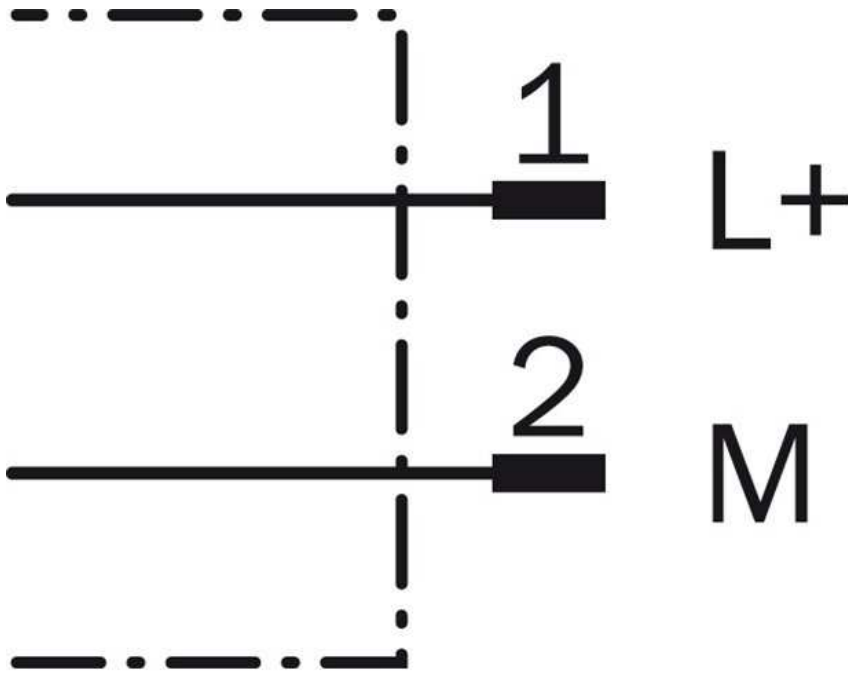
### RS-422



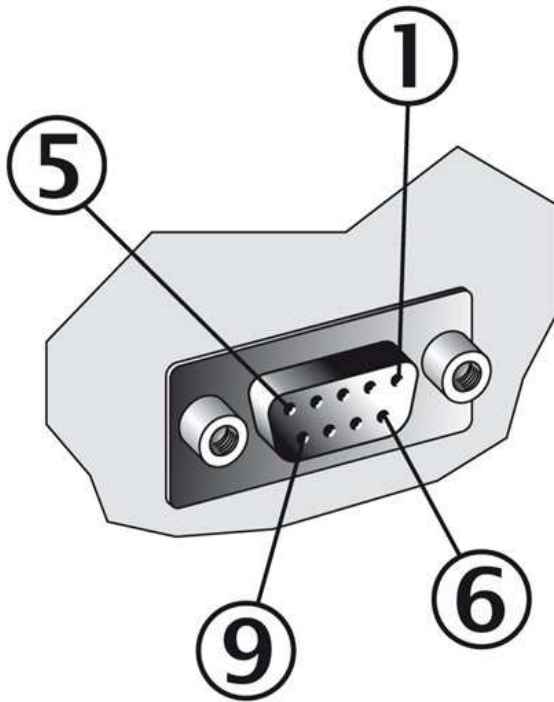
### Connection type RS-232/PROFIBUS



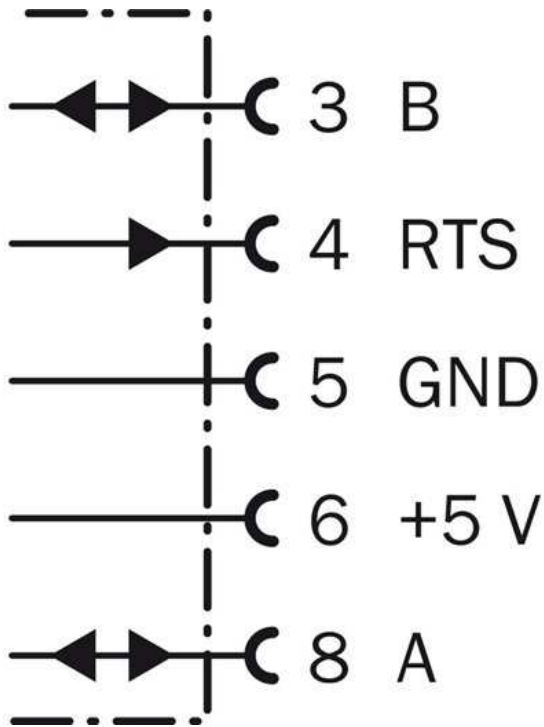
Connection type RS-232/PROFIBUS



Connection type DMxxx-2 RS-232/PROFIBUS, socket



- |1| NC = normally closed
- |5| M
- |6| L+
- |9| NC = normally closed





**Australia**

Phone +61 3 9457 0600  
1800 33 48 02 – tollfree  
E-Mail sales@sick.com.au

**Belgium/Luxembourg**

Phone +32 (0)2 466 55 66  
E-Mail info@sick.be

**Brasil**

Phone +55 11 3215-4900  
E-Mail marketing@sick.com.br

**Canada**

Phone +1 905 771 14 44  
E-Mail information@sick.com

**Česká republika**

Phone +420 2 57 91 18 50  
E-Mail sick@sick.cz

**China**

Phone +86 4000 121 000  
E-Mail info.china@sick.net.cn  
Phone +852-2153 6300  
E-Mail ghk@sick.com.hk

**Danmark**

Phone +45 45 82 64 00  
E-Mail sick@sick.dk

**Deutschland**

Phone +49 211 5301-301  
E-Mail info@sick.de

**España**

Phone +34 93 480 31 00  
E-Mail info@sick.es

**France**

Phone +33 1 64 62 35 00  
E-Mail info@sick.fr

**Great Britain**

Phone +44 (0)1727 831121  
E-Mail info@sick.co.uk

**India**

Phone +91-22-4033 8333  
E-Mail info@sick-india.com

**Israel**

Phone +972-4-6881000  
E-Mail info@sick-sensors.com

**Italia**

Phone +39 02 27 43 41  
E-Mail info@sick.it

**Japan**

Phone +81 (0)3 5309 2112  
E-Mail support@sick.jp

**Magyarország**

Phone +36 1 371 2680  
E-Mail office@sick.hu

**Nederland**

Phone +31 (0)30 229 25 44  
E-Mail info@sick.nl

**Norge**

Phone +47 67 81 50 00  
E-Mail sick@sick.no

**Österreich**

Phone +43 (0)22 36 62 28 8-0  
E-Mail office@sick.at

**Polska**

Phone +48 22 837 40 50  
E-Mail info@sick.pl

**România**

Phone +40 356 171 120  
E-Mail office@sick.ro

**Russia**

Phone +7-495-775-05-30  
E-Mail info@sick.ru

**Schweiz**

Phone +41 41 619 29 39  
E-Mail contact@sick.ch

**Singapore**

Phone +65 6744 3732  
E-Mail sales.gsg@sick.com

**Slovenija**

Phone +386 (0)1-47 69 990  
E-Mail office@sick.si

**South Africa**

Phone +27 11 472 3733  
E-Mail info@sickautomation.co.za

**South Korea**

Phone +82 2 786 6321/4  
E-Mail info@sickkorea.net

**Suomi**

Phone +358-9-25 15 800  
E-Mail sick@sick.fi

**Sverige**

Phone +46 10 110 10 00  
E-Mail info@sick.se

**Taiwan**

Phone +886 2 2375-6288  
E-Mail sales@sick.com.tw

**Türkiye**

Phone +90 (216) 528 50 00  
E-Mail info@sick.com.tr

**United Arab Emirates**

Phone +971 (0) 4 88 65 878  
E-Mail info@sick.ae

**USA/México**

Phone +1(952) 941-6780  
1 (800) 325-7425 – tollfree  
E-Mail info@sickusa.com

More representatives and agencies  
at [www.sick.com](http://www.sick.com)