



Photoelectric sensors
W23-2, Photoelectric proximity sensor,
Background suppression

WT23-2S1521



Model Name > [WT23-2S1521](#)
Part No. > [1027780](#)



Illustration may differ

At a glance

- WT23-2 photoelectric proximity sensor Background suppression
- Resistant to crosstalk from other devices
- 360° visibility of indicating LEDs
- IR or red light

Your benefits

- Durable housing with reinforced mounting holes withstands harsh conditions
- 360° LEDs provide device status indication from multiple angles
- Less downtime due to ASIC (application-specific integrated circuit) chip technology by SICK
- High level of mechanical and electronic reliability in industrial environments



Features

Sensor/detection principle:	Photoelectric proximity sensor, Background suppression
Dimensions (W x H x D):	24.6 mm x 80.6 mm x 54 mm
Housing design (light emission):	Rectangular
Sensing range max.:	50 mm ... 1,000 mm ¹⁾
Sensing range:	100 mm ... 1,000 mm
Type of light:	Infrared light
Light source:	LED ²⁾
Wave length:	880 nm
Adjustment:	Potentiometer
Light spot size (distance):	Ø 50 mm (800 mm)

¹⁾ Object with 90 % reflectance (referred to standard white DIN 5033) ²⁾ Average service life of 100,000 h at T_A = +25 °C

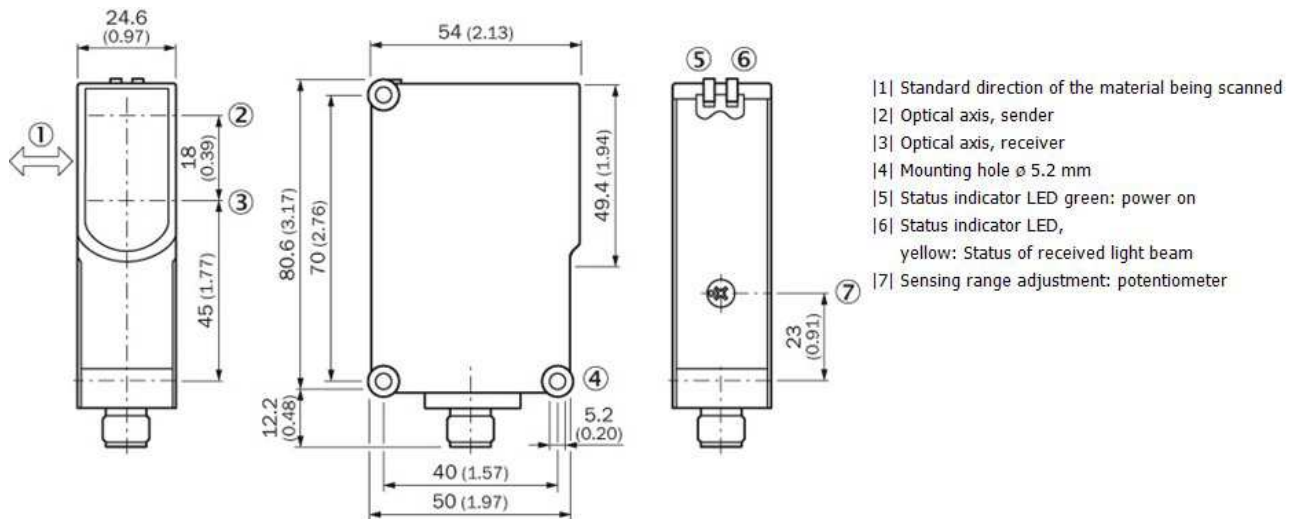
Mechanics/electronics

Supply voltage:	90 V AC ... 265 V AC ¹⁾
Power consumption:	≤ 2.5 VA
Output type:	Relay, electrically isolated ²⁾
Output function:	Change-over contacts
Switching mode:	Light switching ³⁾
Switching current (switching voltage):	0.11 A (230 V DC), 3 A (230 V AC), 3 A (24 V DC)
Response time:	≤ 10 ms
Switching frequency:	10 Hz ⁴⁾
Connection type:	Cable, 5-wire, 2 m ⁵⁾

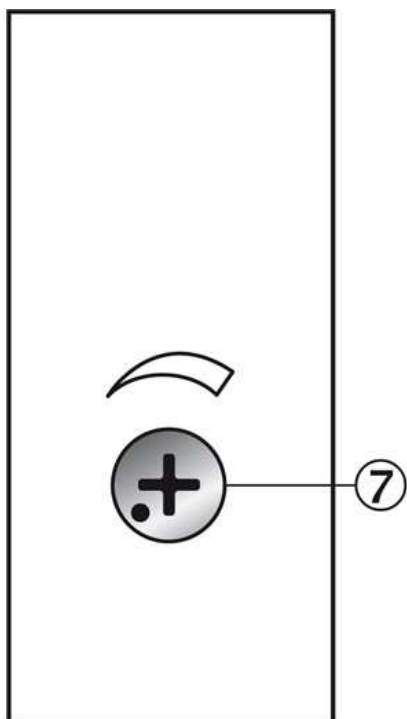
Cable material:	PVC
Circuit protection:	A, C ^{6) 7)}
Protection class:	II ⁸⁾
Weight:	200 g
Housing material:	ABS, Plastic
Optics material:	PMMA
Enclosure rating:	IP 67
Usage category:	AC-15, DC-13, According to EN 60947-1
Ambient operating temperature:	-25 °C ... 60 °C ⁹⁾
Ambient storage temperature:	-40 °C ... 70 °C
UL File No.:	NRKH.E181493 & NRKH7.E181493

1) Limit values 2) 3) Provide suitable spark suppression for inductive or capacitive loads 4) With light/dark ratio 1:1 5) Do not bend below 0 °C 6) A = V_S connections reverse-polarity protected 7) C = interference suppression 8) Reference voltage 250 V AC 9) UL: 0 °C ... +60 °C

Dimensional drawing

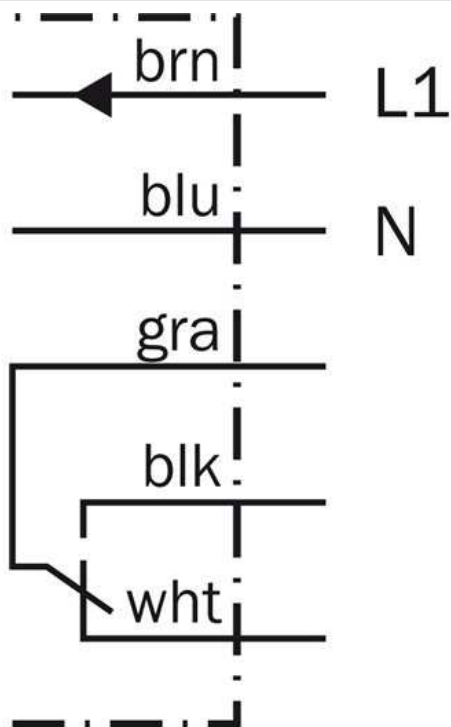


Adjustments possible

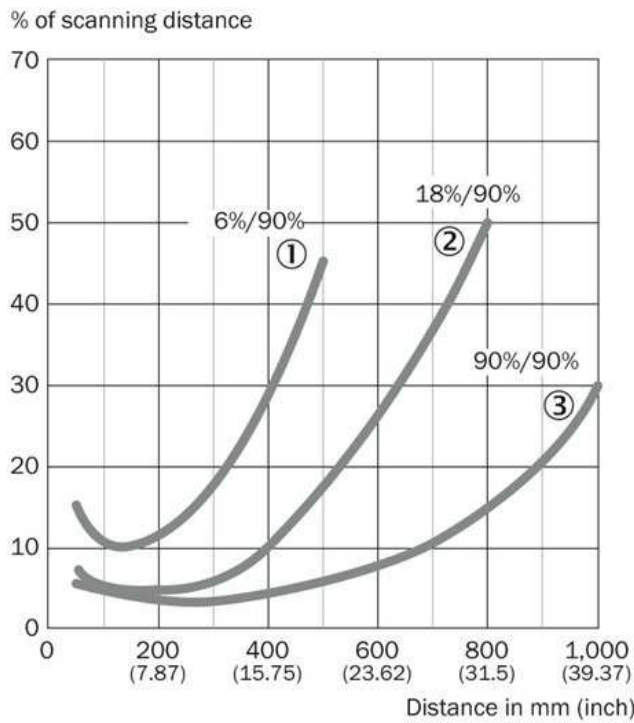


[1] Sensing range adjustment: potentiometer

Connection diagram

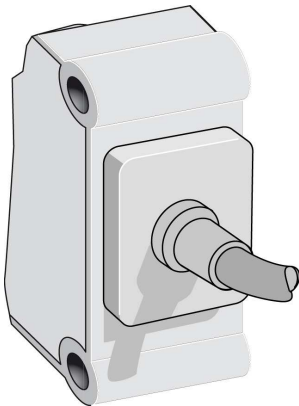


Characteristic curve

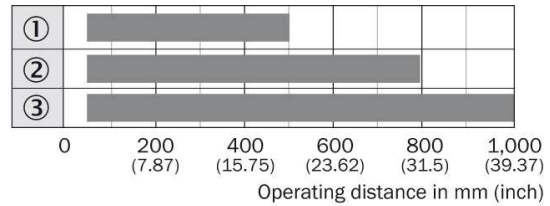


- |1| Sensing range on black, 6 % remission
- |2| Sensing range on grey, 18 % remission
- |3| Sensing range on white, 90 % remission

Connection type



Sensing range diagram



- ① Scanning range on black, 6 % remission
- ② Scanning range on grey, 18 % remission
- ③ Scanning range on white, 90 % remission

Australia

Phone +61 3 9457 0600
1800 33 48 02 – tollfree
E-Mail sales@sick.com.au

Belgium/Luxembourg

Phone +32 (0)2 466 55 66
E-Mail info@sick.be

Brasil

Phone +55 11 3215-4900
E-Mail marketing@sick.com.br

Canada

Phone +1 905 771 14 44
E-Mail information@sick.com

Česká republika

Phone +420 2 57 91 18 50
E-Mail sick@sick.cz

China

Phone +86 4000 121 000
E-Mail info.china@sick.net.cn
Phone +852-2153 6300
E-Mail ghk@sick.com.hk

Danmark

Phone +45 45 82 64 00
E-Mail sick@sick.dk

Deutschland

Phone +49 211 5301-301
E-Mail info@sick.de

España

Phone +34 93 480 31 00
E-Mail info@sick.es

France

Phone +33 1 64 62 35 00
E-Mail info@sick.fr

Great Britain

Phone +44 (0)1727 831121
E-Mail info@sick.co.uk

India

Phone +91-22-4033 8333
E-Mail info@sick-india.com

Israel

Phone +972-4-6881000
E-Mail info@sick-sensors.com

Italia

Phone +39 02 27 43 41
E-Mail info@sick.it

Japan

Phone +81 (0)3 5309 2112
E-Mail support@sick.jp

Magyarország

Phone +36 1 371 2680
E-Mail office@sick.hu

Nederland

Phone +31 (0)30 229 25 44
E-Mail info@sick.nl

Norge

Phone +47 67 81 50 00
E-Mail sick@sick.no

Österreich

Phone +43 (0)22 36 62 28 8-0
E-Mail office@sick.at

Polska

Phone +48 22 837 40 50
E-Mail info@sick.pl

România

Phone +40 356 171 120
E-Mail office@sick.ro

Russia

Phone +7-495-775-05-30
E-Mail info@sick.ru

Schweiz

Phone +41 41 619 29 39
E-Mail contact@sick.ch

Singapore

Phone +65 6744 3732
E-Mail sales.gsg@sick.com

Slovenija

Phone +386 (0)1-47 69 990
E-Mail office@sick.si

South Africa

Phone +27 11 472 3733
E-Mail info@sickautomation.co.za

South Korea

Phone +82 2 786 6321/4
E-Mail info@sickkorea.net

Suomi

Phone +358-9-25 15 800
E-Mail sick@sick.fi

Sverige

Phone +46 10 110 10 00
E-Mail info@sick.se

Taiwan

Phone +886 2 2375-6288
E-Mail sales@sick.com.tw

Türkiye

Phone +90 (216) 528 50 00
E-Mail info@sick.com.tr

United Arab Emirates

Phone +971 (0) 4 88 65 878
E-Mail info@sick.ae

USA/México

Phone +1(952) 941-6780
1 (800) 325-7425 – tollfree
E-Mail info@sickusa.com

More representatives and agencies
at www.sick.com