



Multiple light beam safety devices M4000 Advanced A/P

M40Z-025003TB0, PSD01-2501



Sender/receiver in one housing

Model Name > [M40Z-025003TB0](#)
Part No. > [1200128](#)

Mirror

Model Name > [PSD01-2501](#)
Part No. > [1027907](#)

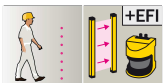


At a glance

- Sender/receiver in a single housing, scanning range up to 7.5 m
- External device monitoring (EDM), restart interlock (RES), application diagnostic output (ADO), SDL interface
- Muting in combination with the UE403 IP-65 switching amplifier
- Configuration and diagnostics via PC
- 7-segment display
- Beam coding for correct system allocation
- Laser alignment aid and LED optional integrated

Your benefits

- Economical active/passive variants minimize the wiring costs and installation time
- Robust design with a high level of resistance to environmental changes ensures high machine availability, even under special ambient conditions
- Mounting grooves on three housing sides ensure more mounting flexibility and simplify machine integration
- Customer-friendly interfaces and status display simplify commissioning and maintenance
- For 2- and 4-sensor muting, the on-site connection of the muting signals significantly minimizes wiring costs and simplifies commissioning and maintenance
- Reduced downtime due to 360° visible LED, diagnostics displays and configuration memory in the UE403 switching amplifier



Applications

Access protection (vertical): ✓
Access protection with muting: ✓
Hazardous area protection (horizontal): -

Functions-Sender/receiver in one housing

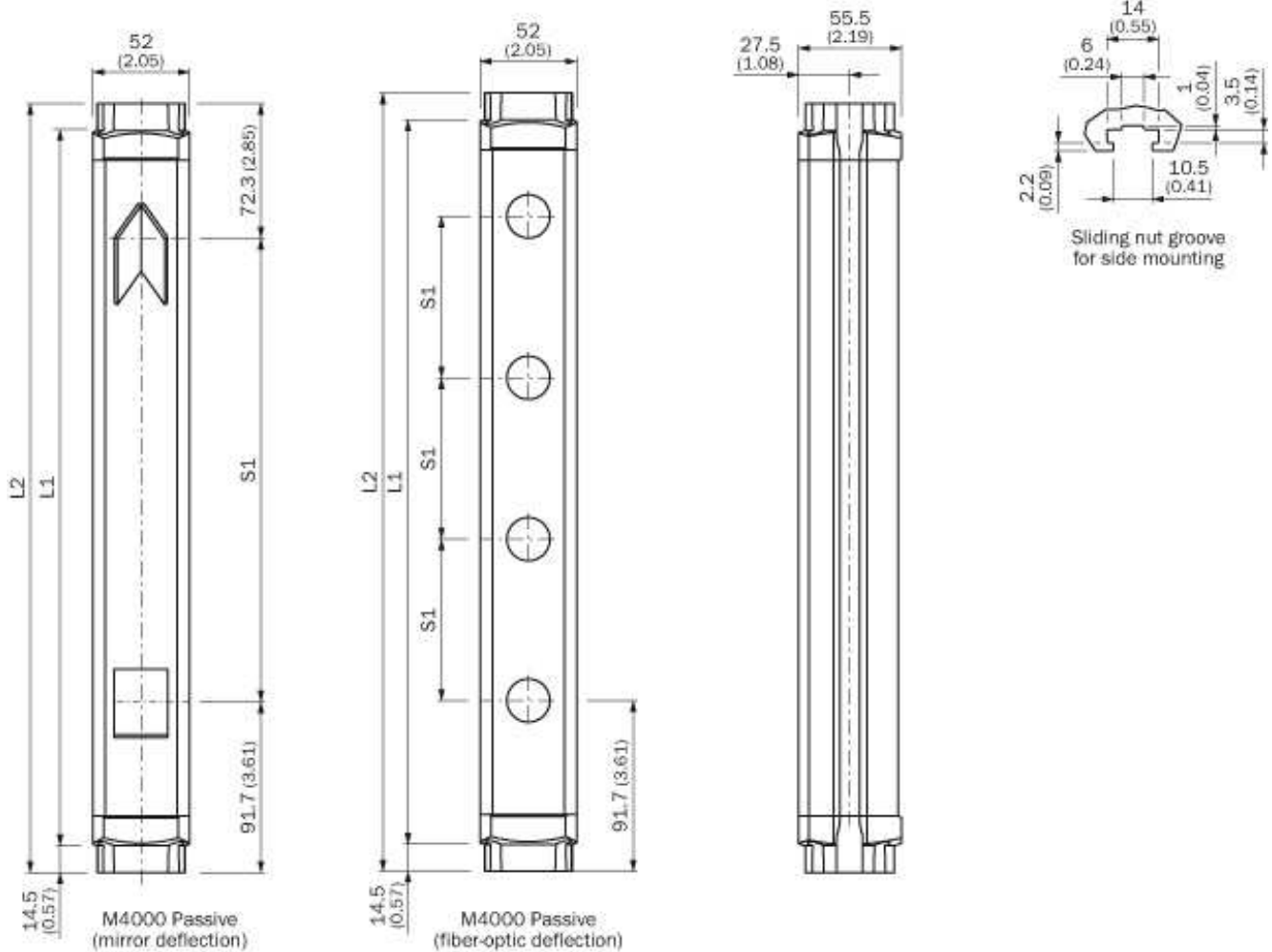
System construction:	Active/passive system
Restart interlock:	✓
Restart interlock (delivery status):	Internal
External device monitoring (EDM):	✓
External device monitoring (delivery status):	Activated
Beam coding:	✓
Beam coding (delivery status):	Non-coded
Muting with:	UE403
Configurable application diagnostic output:	✓
Application diagnostic output (delivery status):	Contamination (OWS)
Configurable scanning range:	✓
Scanning range (delivery status):	4.5 m
Integrated laser alignment aid:	-
End cap with integrated LED:	-
Additional reset connection:	-
SDL interface:	✓
Configuration method:	PC with CDS (Configuration and Diagnostic Software)
Sender test:	-
Monitoring total muting time (with UE403):	✓
Concurrence monitoring (with UE403):	✓
Sensor gap monitoring (with UE403):	✓
Sensor test (with UE403):	✓
End of muting by ESPE (with UE403):	✓
Belt stop (with UE403):	✓
Safe device communication via EFI/SDL:	✓
Exit monitoring (with UE403):	✓
Reading mode:	✓
CDS data recorder:	✓
Event history:	✓

Technical Data-Sender/receiver in one housing

Number of beams:	2
Scanning range from ... to:	≤ 4.5 m, configurable
Scanning range High Range:	0.5 m ... 4.5 m
Type:	Type 4 (IEC 61496)
Safety integrity level:	SIL3 (IEC 61508), SILCL3 (IEC 62061)
Category:	category 4 (EN ISO 13849)
Performance level:	PL e (EN ISO 13849)
PFHd:	6.6 * 1E-09
TM (mission time):	20 a
Housing cross-section:	52 mm x 55.5 mm
Maximum response time:	10 ms
Supply voltage typical, from, to:	24 V DC, 19.2 V DC, 28.8 V DC
Power consumption:	≤ 0.6 A
Type of output:	Safety outputs (OSSD)
Display elements:	LED/7-segment
Maximum switching voltage:	UV - 2,25 V
Maximum switching current:	500 mA
Protection class:	III (EN 50178:1998)
Enclosure rating:	IP 65 (EN 60529)

System connection:	Hirschmann plug M26 x 11 + FE
Ambient operating temperature from ... to:	-30 °C ... 55 °C
Vibration resistance (checked to):	5 g (IEC 60068-2-6)
Oscillation frequency from ... to:	10 Hz ... 55 Hz
Shock resistance:	10 g, 16 ms (IEC 60068-2-29)
Resolution:	500 mm
Scanning range from ... to (delivery status):	≤ 4.5 m

Dimensional drawing



Australia

Phone +61 3 9457 0600
1800 33 48 02 – tollfree
E-Mail sales@sick.com.au

Belgium/Luxembourg

Phone +32 (0)2 466 55 66
E-Mail info@sick.be

Brasil

Phone +55 11 3215-4900
E-Mail marketing@sick.com.br

Canada

Phone +1 905 771 14 44
E-Mail information@sick.com

Česká republika

Phone +420 2 57 91 18 50
E-Mail sick@sick.cz

China

Phone +86 4000 121 000
E-Mail info.china@sick.net.cn
Phone +852-2153 6300
E-Mail ghk@sick.com.hk

Danmark

Phone +45 45 82 64 00
E-Mail sick@sick.dk

Deutschland

Phone +49 211 5301-301
E-Mail info@sick.de

España

Phone +34 93 480 31 00
E-Mail info@sick.es

France

Phone +33 1 64 62 35 00
E-Mail info@sick.fr

Great Britain

Phone +44 (0)1727 831121
E-Mail info@sick.co.uk

India

Phone +91-22-4033 8333
E-Mail info@sick-india.com

Israel

Phone +972-4-6881000
E-Mail info@sick-sensors.com

Italia

Phone +39 02 27 43 41
E-Mail info@sick.it

Japan

Phone +81 (0)3 5309 2112
E-Mail support@sick.jp

Magyarország

Phone +36 1 371 2680
E-Mail office@sick.hu

Nederland

Phone +31 (0)30 229 25 44
E-Mail info@sick.nl

Norge

Phone +47 67 81 50 00
E-Mail sick@sick.no

Österreich

Phone +43 (0)22 36 62 28 8-0
E-Mail office@sick.at

Polska

Phone +48 22 837 40 50
E-Mail info@sick.pl

România

Phone +40 356 171 120
E-Mail office@sick.ro

Russia

Phone +7-495-775-05-30
E-Mail info@sick.ru

Schweiz

Phone +41 41 619 29 39
E-Mail contact@sick.ch

Singapore

Phone +65 6744 3732
E-Mail sales.gsg@sick.com

Slovenija

Phone +386 (0)1-47 69 990
E-Mail office@sick.si

South Africa

Phone +27 11 472 3733
E-Mail info@sickautomation.co.za

South Korea

Phone +82 2 786 6321/4
E-Mail info@sickkorea.net

Suomi

Phone +358-9-25 15 800
E-Mail sick@sick.fi

Sverige

Phone +46 10 110 10 00
E-Mail info@sick.se

Taiwan

Phone +886 2 2375-6288
E-Mail sales@sick.com.tw

Türkiye

Phone +90 (216) 528 50 00
E-Mail info@sick.com.tr

United Arab Emirates

Phone +971 (0) 4 88 65 878
E-Mail info@sick.ae

USA/México

Phone +1(952) 941-6780
1 (800) 325-7425 – tollfree
E-Mail info@sickusa.com

More representatives and agencies
at www.sick.com