



Multiple light beam safety devices M4000 Advanced A/P

M40Z-043003TB0, PSD02-2301



Sender/receiver in one housing

Model Name > [M40Z-043003TB0](#)
Part No. > [1200127](#)

Mirror

Model Name > [PSD02-2301](#)
Part No. > [1027908](#)

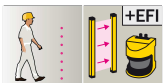


At a glance

- Sender/receiver in a single housing, scanning range up to 7.5 m
- External device monitoring (EDM), restart interlock (RES), application diagnostic output (ADO), SDL interface
- Muting in combination with the UE403 IP-65 switching amplifier
- Configuration and diagnostics via PC
- 7-segment display
- Beam coding for correct system allocation
- Laser alignment aid and LED optional integrated

Your benefits

- Economical active/passive variants minimize the wiring costs and installation time
- Robust design with a high level of resistance to environmental changes ensures high machine availability, even under special ambient conditions
- Mounting grooves on three housing sides ensure more mounting flexibility and simplify machine integration
- Customer-friendly interfaces and status display simplify commissioning and maintenance
- For 2- and 4-sensor muting, the on-site connection of the muting signals significantly minimizes wiring costs and simplifies commissioning and maintenance
- Reduced downtime due to 360° visible LED, diagnostics displays and configuration memory in the UE403 switching amplifier



Applications

Access protection (vertical): ✓
Access protection with muting: ✓
Hazardous area protection (horizontal): -

Functions-Sender/receiver in one housing

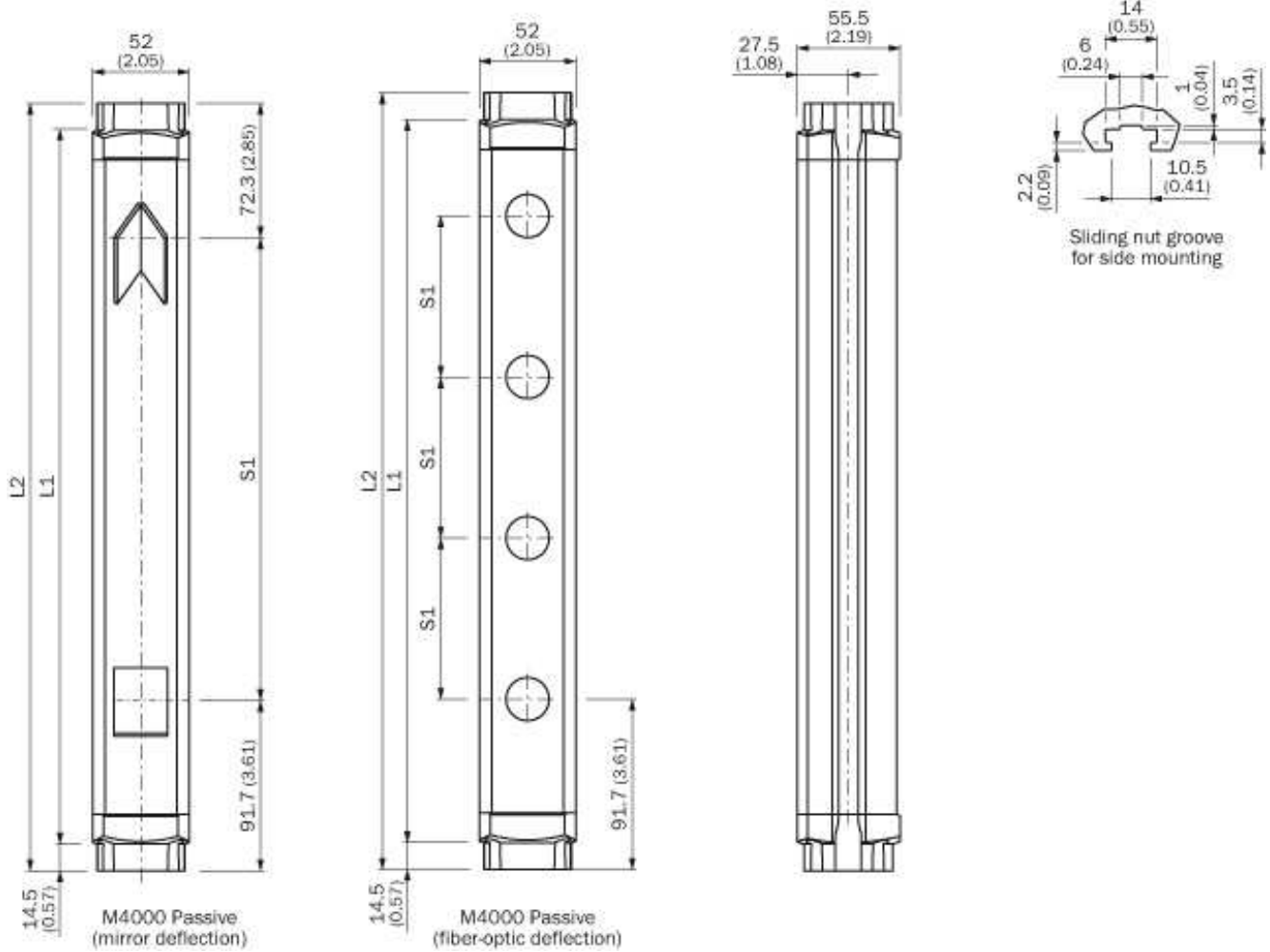
| | |
|--|---|
| System construction: | Active/passive system |
| Restart interlock: | ✓ |
| Restart interlock (delivery status): | Internal |
| External device monitoring (EDM): | ✓ |
| External device monitoring (delivery status): | Activated |
| Beam coding: | ✓ |
| Beam coding (delivery status): | Non-coded |
| Muting with: | UE403 |
| Configurable application diagnostic output: | ✓ |
| Application diagnostic output (delivery status): | Contamination (OWS) |
| Configurable scanning range: | ✓ |
| Scanning range (delivery status): | 4.5 m |
| Integrated laser alignment aid: | - |
| End cap with integrated LED: | - |
| Additional reset connection: | - |
| SDL interface: | ✓ |
| Configuration method: | PC with CDS (Configuration and Diagnostic Software) |
| Sender test: | - |
| Monitoring total muting time (with UE403): | ✓ |
| Concurrence monitoring (with UE403): | ✓ |
| Sensor gap monitoring (with UE403): | ✓ |
| Sensor test (with UE403): | ✓ |
| End of muting by ESPE (with UE403): | ✓ |
| Belt stop (with UE403): | ✓ |
| Safe device communication via EFI/SDL: | ✓ |
| Exit monitoring (with UE403): | ✓ |
| Reading mode: | ✓ |
| CDS data recorder: | ✓ |
| Event history: | ✓ |

Technical Data-Sender/receiver in one housing

| | |
|-----------------------------------|--------------------------------------|
| Number of beams: | 4 |
| Scanning range from ... to: | ≤ 4.5 m, configurable |
| Scanning range High Range: | 0.5 m ... 4.5 m |
| Type: | Type 4 (IEC 61496) |
| Safety integrity level: | SIL3 (IEC 61508), SILCL3 (IEC 62061) |
| Category: | category 4 (EN ISO 13849) |
| Performance level: | PL e (EN ISO 13849) |
| PFHd: | 6.6 * 1E-09 |
| TM (mission time): | 20 a |
| Housing cross-section: | 52 mm x 55.5 mm |
| Maximum response time: | 10 ms |
| Supply voltage typical, from, to: | 24 V DC, 19.2 V DC, 28.8 V DC |
| Power consumption: | ≤ 0.6 A |
| Type of output: | Safety outputs (OSSD) |
| Display elements: | LED/7-segment |
| Maximum switching voltage: | UV - 2,25 V |
| Maximum switching current: | 500 mA |
| Protection class: | III (EN 50178:1998) |
| Enclosure rating: | IP 65 (EN 60529) |

| | |
|---|-------------------------------|
| System connection: | Hirschmann plug M26 x 11 + FE |
| Ambient operating temperature from ... to: | -30 °C ... 55 °C |
| Vibration resistance (checked to): | 5 g (IEC 60068-2-6) |
| Oscillation frequency from ... to: | 10 Hz ... 55 Hz |
| Shock resistance: | 10 g, 16 ms (IEC 60068-2-29) |
| Resolution: | 300 mm |
| Scanning range from ... to (delivery status): | ≤ 4.5 m |

Dimensional drawing



Australia

Phone +61 3 9457 0600
1800 33 48 02 – tollfree
E-Mail sales@sick.com.au

Belgium/Luxembourg

Phone +32 (0)2 466 55 66
E-Mail info@sick.be

Brasil

Phone +55 11 3215-4900
E-Mail marketing@sick.com.br

Canada

Phone +1 905 771 14 44
E-Mail information@sick.com

Česká republika

Phone +420 2 57 91 18 50
E-Mail sick@sick.cz

China

Phone +86 4000 121 000
E-Mail info.china@sick.net.cn
Phone +852-2153 6300
E-Mail ghk@sick.com.hk

Danmark

Phone +45 45 82 64 00
E-Mail sick@sick.dk

Deutschland

Phone +49 211 5301-301
E-Mail info@sick.de

España

Phone +34 93 480 31 00
E-Mail info@sick.es

France

Phone +33 1 64 62 35 00
E-Mail info@sick.fr

Great Britain

Phone +44 (0)1727 831121
E-Mail info@sick.co.uk

India

Phone +91-22-4033 8333
E-Mail info@sick-india.com

Israel

Phone +972-4-6881000
E-Mail info@sick-sensors.com

Italia

Phone +39 02 27 43 41
E-Mail info@sick.it

Japan

Phone +81 (0)3 5309 2112
E-Mail support@sick.jp

Magyarország

Phone +36 1 371 2680
E-Mail office@sick.hu

Nederland

Phone +31 (0)30 229 25 44
E-Mail info@sick.nl

Norge

Phone +47 67 81 50 00
E-Mail sick@sick.no

Österreich

Phone +43 (0)22 36 62 28 8-0
E-Mail office@sick.at

Polska

Phone +48 22 837 40 50
E-Mail info@sick.pl

România

Phone +40 356 171 120
E-Mail office@sick.ro

Russia

Phone +7-495-775-05-30
E-Mail info@sick.ru

Schweiz

Phone +41 41 619 29 39
E-Mail contact@sick.ch

Singapore

Phone +65 6744 3732
E-Mail sales.gsg@sick.com

Slovenija

Phone +386 (0)1-47 69 990
E-Mail office@sick.si

South Africa

Phone +27 11 472 3733
E-Mail info@sickautomation.co.za

South Korea

Phone +82 2 786 6321/4
E-Mail info@sickkorea.net

Suomi

Phone +358-9-25 15 800
E-Mail sick@sick.fi

Sverige

Phone +46 10 110 10 00
E-Mail info@sick.se

Taiwan

Phone +886 2 2375-6288
E-Mail sales@sick.com.tw

Türkiye

Phone +90 (216) 528 50 00
E-Mail info@sick.com.tr

United Arab Emirates

Phone +971 (0) 4 88 65 878
E-Mail info@sick.ae

USA/México

Phone +1(952) 941-6780
1 (800) 325-7425 – tollfree
E-Mail info@sickusa.com

More representatives and agencies
at www.sick.com