



Reflectors and optics Illuminations / Laser

ICT-B



Model Name > [ICT-B](#)
Part No. > [1028342](#)



At a glance

- Robust mechanical, electrical and optical design
- Long life time
- Flexible mechanical set up
- High availability due to shock and water proof housings
- Available in laser class 2M and 3B

Your benefits

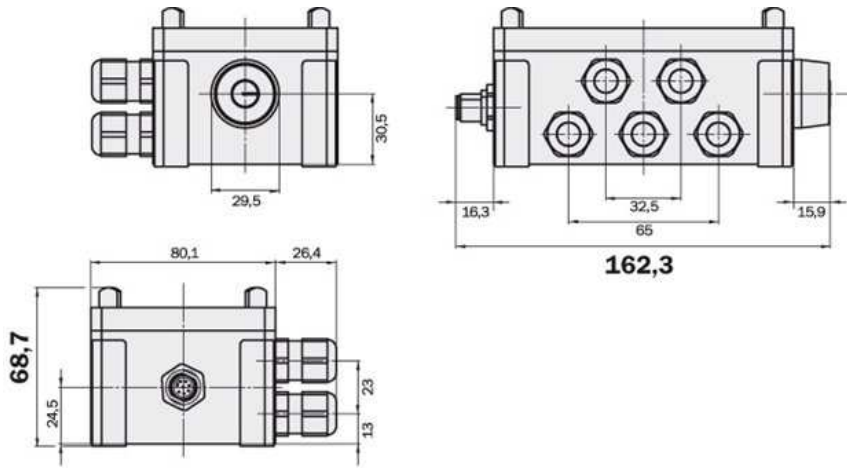
- IP 67 laser modules with 2M/3B laser classes enable installations in harsh environments
- The ICT-B terminal box makes it easy to connect the laser and camera, saving time
- With the trigger input function, users can control the on/off laser from the camera software, increasing application efficiency
- Its tough mechanical, electrical and optical design, gives the ILP a long lifetime, which reduces replacement costs

Technical data

| | |
|--------------------------------|---|
| Description: | Terminal box to connect one or two lasers to IVC-2D or Ranger E/D, ICT-B can also be used to connect a trigger sensor to IVC-2D or Ranger E/D, ICT-B is especially designed to be used with SICK ILP lasers |
| Ambient operating temperature: | -10 °C ... +48 °C |
| Accessory group: | Illuminations |
| Accessory family: | Laser |
| Supply voltage: | 24 V DC, ± 20 % |
| Connectors: | Plug, M12, 8-pin for camera, connection cable glands and terminals for laser connection |
| Enclosure rating: | IP 67 |
| Weight: | Ca. 350 g |
| Ambient storage temperature: | -20 °C ... +70 °C ¹⁾ |

¹⁾ Relative humidity: 93 %

Dimensional drawing



Australia

Phone +61 3 9457 0600
1800 33 48 02 – tollfree
E-Mail sales@sick.com.au

Belgium/Luxembourg

Phone +32 (0)2 466 55 66
E-Mail info@sick.be

Brasil

Phone +55 11 3215-4900
E-Mail marketing@sick.com.br

Canada

Phone +1 905 771 14 44
E-Mail information@sick.com

Česká republika

Phone +420 2 57 91 18 50
E-Mail sick@sick.cz

China

Phone +86 4000 121 000
E-Mail info.china@sick.net.cn
Phone +852-2153 6300
E-Mail ghk@sick.com.hk

Danmark

Phone +45 45 82 64 00
E-Mail sick@sick.dk

Deutschland

Phone +49 211 5301-301
E-Mail info@sick.de

España

Phone +34 93 480 31 00
E-Mail info@sick.es

France

Phone +33 1 64 62 35 00
E-Mail info@sick.fr

Great Britain

Phone +44 (0)1727 831121
E-Mail info@sick.co.uk

India

Phone +91-22-4033 8333
E-Mail info@sick-india.com

Israel

Phone +972-4-6881000
E-Mail info@sick-sensors.com

Italia

Phone +39 02 27 43 41
E-Mail info@sick.it

Japan

Phone +81 (0)3 5309 2112
E-Mail support@sick.jp

Magyarország

Phone +36 1 371 2680
E-Mail office@sick.hu

Nederland

Phone +31 (0)30 229 25 44
E-Mail info@sick.nl

Norge

Phone +47 67 81 50 00
E-Mail sick@sick.no

Österreich

Phone +43 (0)22 36 62 28 8-0
E-Mail office@sick.at

Polska

Phone +48 22 837 40 50
E-Mail info@sick.pl

România

Phone +40 356 171 120
E-Mail office@sick.ro

Russia

Phone +7-495-775-05-30
E-Mail info@sick.ru

Schweiz

Phone +41 41 619 29 39
E-Mail contact@sick.ch

Singapore

Phone +65 6744 3732
E-Mail sales.gsg@sick.com

Slovenija

Phone +386 (0)1-47 69 990
E-Mail office@sick.si

South Africa

Phone +27 11 472 3733
E-Mail info@sickautomation.co.za

South Korea

Phone +82 2 786 6321/4
E-Mail info@sickkorea.net

Suomi

Phone +358-9-25 15 800
E-Mail sick@sick.fi

Sverige

Phone +46 10 110 10 00
E-Mail info@sick.se

Taiwan

Phone +886 2 2375-6288
E-Mail sales@sick.com.tw

Türkiye

Phone +90 (216) 528 50 00
E-Mail info@sick.com.tr

United Arab Emirates

Phone +971 (0) 4 88 65 878
E-Mail info@sick.ae

USA/México

Phone +1(952) 941-6780
1 (800) 325-7425 – tollfree
E-Mail info@sickusa.com

More representatives and agencies
at www.sick.com