



## Absolute encoders ATM60 PROFIBUS

ATM60-PAH13X13



**Model Name** > ATM60-PAH13X13  
**Part No.** > 1030015



*Illustration may differ*

#### At a glance

- Extremely rugged, tried-and-tested absolute multiturn encoder with a resolution of up to 26 bits
- Mechanical interface: face mount flange, servo flange, blind hollow shaft and extensive adapter accessories
- Zero-set and preset functions via hardware or software
- No battery required
- Electrical interface: PROFIBUS DP as per IEC61158 / RS 485 , electrically isolated
- Electronically adjustable, configurable resolution
- Magnetic scanning

#### Your benefits

- Fewer variants are required since one freely programmable encoder offers all singleturn and multiturn resolutions
- Easy setup due to various connectivity options (3x PG, 3x M12)
- Less maintenance and a long service life reduce overall costs
- Application flexibility due to easily interchangeable collets for the blind hollow shaft
- Quick commissioning using the zero set/preset function either at the press of the button on the device or via software
- Increased productivity due to highly reliable shock and vibration resistance
- Worldwide availability and service ensure quick and reliable customer service



#### Performance

Max. number of steps per revolution:	8,192
Max. number of revolutions:	8,192
Resolution power:	8,192 x 8,192
Resolution:	13 bit x 13 bit
Error limits:	± 0.25 °
Repeatability (Ta not constant):	0.1 °
Measuring step:	0.043 °
Initialization time:	1,250 ms <sup>1)</sup>

<sup>1)</sup> Valid positional data can be read once this time has elapsed

#### Mechanical data

Mechanical interface:	Blind hollow shaft
Shaft diameter:	6 mm 8 mm 10 mm 12 mm 14 mm 15 mm 1/4 " 3/8 " <sup>1)</sup> 1/2 " <sup>1)</sup>
Mass:	0.59 kg
Moment of inertia of the rotor:	55 gcm <sup>2</sup>
Bearing lifetime:	3.6 x 10 <sup>9</sup> revolutions
Max. angular acceleration:	500,000 rad/s <sup>2</sup>
Permissible movement axial static/dynamic:	± 0.5 mm, ± 0.2 mm
Permissible movement radial static/dynamic:	± 0.3 mm, ± 0.1 mm
Shaft material:	Stainless steel
Flange material:	Aluminum
Housing material:	Die-cast aluminum
Start up torque with shaft seal:	1.2 Ncm
Operating torque with shaft seal:	0.8 Ncm

<sup>1)</sup> Collets for 6, 8, 10, 12, 14 mm and 1/4 ", 3/8 " and 1/2 " as accessories, separate order item. For 15 mm shaft diameter collet is not needed.

## Electrical data

Operating voltage range:	10 V ... 32 V
Power consumption max.:	2 W
MTTFd: mean time to dangerous failure:	150 a (EN ISO 13849-1) <sup>1)</sup>

<sup>1)</sup> This product is a standard product and does not constitute a safety component as defined in the Machinery Directive.

Calculation based on nominal load of components, average ambient

temperature 40°C, frequency of use 8760 h/a. All

electronic failures are considered hazardous. For more information, see document no. 8015532.

## Interfaces

Electrical interface:	Bus adaptor with cable screw fixings or connector <sup>1)</sup>
SET (electronic adjustment):	Via PRESET push button or protocol
Bus:	PROFIBUS DP
Bus interface:::	RS-485 <sup>2) 3) 4)</sup>
Data protocol:	Profile for encoders (07hex) - Class 2
Address setting:	0 ... 127, DIP-switches or protocol
Data transmission rate (baud rate):	9.6 kBaud / 12 MBaud / automatic detection
Status information:	LED green (operation), LED red ( bus activity)
Bus termination:	DIP switch

<sup>1)</sup> Please order the Profibus adaptor separately <sup>2)</sup> EN 50 170-2 <sup>3)</sup> DIN 19245 part 1-3 <sup>4)</sup> DC isolated via opto-couplers

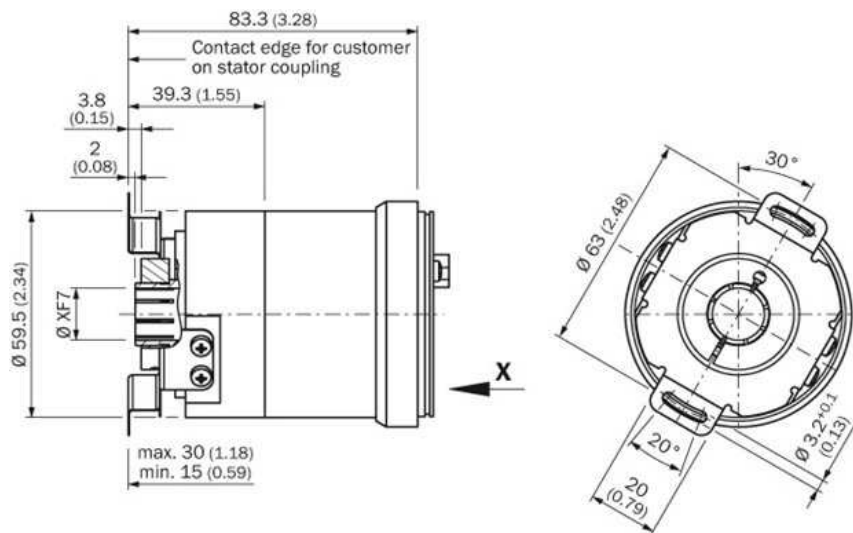
## Ambient data

EMC:	(according to EN 61000-6-2 and EN 61000-6-3)
Enclosure rating:::	IP 43 (according to IEC 60529), without shaft seal, on encoder flange not sealed, IP 66 (according to IEC 60529), without shaft seal, on encoder flange sealed, IP 67 (according to IEC 60529), with shaft seal <sup>1) 2) 3)</sup>
Permissible relative humidity:	98 %

Working temperature range:	-20 °C ... 85 °C
Storage temperature range:	-40 °C ... 125 °C, without package
Resistance to shocks:	100 g (according to EN 60068-2-27)
Resistance to vibration:	20 g, 10 Hz ... 2,000 Hz (according to EN 60068-2-6)

1) 2) 3) With mating connector fitted

### Dimensional drawing



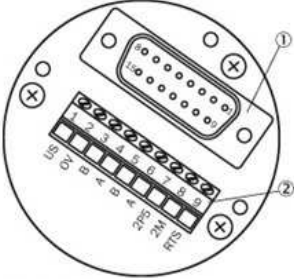
## PIN assignment

Terminal strip	Connect. 4-pin (male)	Connect. 5-pin (male)	Connect. 5-pin (female)	Signal	Description
1	1	-	-	U <sub>v</sub> (24 V)	Supply voltage 10 ... 32 V
2	3	-	-	0 V (GND)	Ground (0 V)
3	-	-	4	B	B line PROFIBUS DP (out)
4	-	-	2	A	A line PROFIBUS DP (out)
5	-	4	-	B	B line PROFIBUS DP (in)
6	-	2	-	A	A line PROFIBUS DP (in)
7	-	-	1	2P5 <sup>1)</sup>	+ 5 V (potential free)
8	-	-	3	2M <sup>2)</sup>	0 V (potential free)
9	-	-	-	RTS <sup>3)</sup>	Request To Send
-	2	1	-	N. C.	-
-	4	3	-	N. C.	-
-	-	5	5	Screen	Housing potential

<sup>1)</sup> Encoders with a PROFIBUS adapter have a terminal strip for connecting the bus and supply lines. In order to connect the lines, the PROFIBUS adapter is unscrewed from the complete device. The figure shows the pin allocation within the bus connection.

<sup>2)</sup> Use for external bus termination or to supply the transmitter/receiver of an optical transmission link.

<sup>3)</sup> Signal is optional, used to detect the direction of an optical connection.



① = Internal plug connection to the encoder

② = External connection to the bus

**Australia**

Phone +61 3 9457 0600  
1800 33 48 02 – tollfree  
E-Mail sales@sick.com.au

**Belgium/Luxembourg**

Phone +32 (0)2 466 55 66  
E-Mail info@sick.be

**Brasil**

Phone +55 11 3215-4900  
E-Mail marketing@sick.com.br

**Canada**

Phone +1 905 771 14 44  
E-Mail information@sick.com

**Česká republika**

Phone +420 2 57 91 18 50  
E-Mail sick@sick.cz

**China**

Phone +86 4000 121 000  
E-Mail info.china@sick.net.cn  
Phone +852-2153 6300  
E-Mail ghk@sick.com.hk

**Danmark**

Phone +45 45 82 64 00  
E-Mail sick@sick.dk

**Deutschland**

Phone +49 211 5301-301  
E-Mail info@sick.de

**España**

Phone +34 93 480 31 00  
E-Mail info@sick.es

**France**

Phone +33 1 64 62 35 00  
E-Mail info@sick.fr

**Great Britain**

Phone +44 (0)1727 831121  
E-Mail info@sick.co.uk

**India**

Phone +91-22-4033 8333  
E-Mail info@sick-india.com

**Israel**

Phone +972-4-6881000  
E-Mail info@sick-sensors.com

**Italia**

Phone +39 02 27 43 41  
E-Mail info@sick.it

**Japan**

Phone +81 (0)3 5309 2112  
E-Mail support@sick.jp

**Magyarország**

Phone +36 1 371 2680  
E-Mail office@sick.hu

**Nederland**

Phone +31 (0)30 229 25 44  
E-Mail info@sick.nl

**Norge**

Phone +47 67 81 50 00  
E-Mail sick@sick.no

**Österreich**

Phone +43 (0)22 36 62 28 8-0  
E-Mail office@sick.at

**Polska**

Phone +48 22 837 40 50  
E-Mail info@sick.pl

**România**

Phone +40 356 171 120  
E-Mail office@sick.ro

**Russia**

Phone +7-495-775-05-30  
E-Mail info@sick.ru

**Schweiz**

Phone +41 41 619 29 39  
E-Mail contact@sick.ch

**Singapore**

Phone +65 6744 3732  
E-Mail sales.gsg@sick.com

**Slovenija**

Phone +386 (0)1-47 69 990  
E-Mail office@sick.si

**South Africa**

Phone +27 11 472 3733  
E-Mail info@sickautomation.co.za

**South Korea**

Phone +82 2 786 6321/4  
E-Mail info@sickkorea.net

**Suomi**

Phone +358-9-25 15 800  
E-Mail sick@sick.fi

**Sverige**

Phone +46 10 110 10 00  
E-Mail info@sick.se

**Taiwan**

Phone +886 2 2375-6288  
E-Mail sales@sick.com.tw

**Türkiye**

Phone +90 (216) 528 50 00  
E-Mail info@sick.com.tr

**United Arab Emirates**

Phone +971 (0) 4 88 65 878  
E-Mail info@sick.ae

**USA/México**

Phone +1(952) 941-6780  
1 (800) 325-7425 – tollfree  
E-Mail info@sickusa.com

More representatives and agencies  
at [www.sick.com](http://www.sick.com)