



Absolute encoders
ATM60 CANopen, Rotary

ATM60-C4H13X13



Model Name > **ATM60-C4H13X13**
Part No. > **1030024**



Illustration may differ

At a glance

- Extremely rugged, tried-and-tested absolute multiturn encoder with a resolution of up to 26 bits
- Mechanical interface: face mount, servo flange, blind hollow shaft, adapter accessories
- Zero-set and preset functions via hardware/software
- No battery
- Electrical interface: CAN specification 2.0B, electrically isolated; DS 301, V4.01, DSP 406, V2.0, Class 2
- Electronically adjustable, configurable resolution
- Network status info via duo LED
- Magnetic scanning

Your benefits

- Fewer variants are required since one freely programmable encoder offers all singleturn and multiturn resolutions
- Easy setup due to electrical connection adapters (1 to 3x PG, 2x M12)
- Less maintenance and a long service life reduce overall costs
- Application flexibility due to easily interchangeable collets for the blind hollow shaft
- Quick commissioning using the zero set/preset function either at the press of the button on the device or via software
- Increased productivity due to highly reliable shock and vibration resistance
- Worldwide availability and service ensure quick and reliable customer service



Performance

Max. number of steps per revolution:	8,192
Max. number of revolutions:	8,192
Resolution power:	8,192 x 8,192
Resolution:	13 bit x 13 bit
Error limits:	± 0.25 °
Repeatability (Ta not constant):	0.1 °
Measuring step:	0.043 °
Initialization time:	1,250 ms ¹⁾

¹⁾ Valid positional data can be read once this time has elapsed

Mechanical data

Mechanical interface:	Solid shaft, Face mount flange
Shaft diameter:	10 mm
Mass:	0.59 kg
Permissible Load capacity of shaft:	300 N (radial), 50 N (axial)
Moment of inertia of the rotor:	35 gcm ²
Bearing lifetime:	3.6 x 10 ⁹ revolutions
Max. angular acceleration:	500,000 rad/s ²
Shaft material:	Stainless steel
Flange material:	Aluminum
Housing material:	Die-cast aluminum
Start up torque with shaft seal:	2.5 Ncm
Start up torque without shaft seal:	0.5 Ncm
Operating torque with shaft seal:	1.8 Ncm
Operating torque without shaft seal:	0.3 Ncm ¹⁾

¹⁾ If the shaft seal has been removed by the customer

Electrical data

Operating voltage range:	10 V ... 32 V
Power consumption max.:	2 W
MTTFd: mean time to dangerous failure:	150 a (EN ISO 13849-1) ¹⁾

¹⁾ This product is a standard product and does not constitute a safety component as defined in the Machinery Directive.

Calculation based on nominal load of components, average ambient

temperature 40°C, frequency of use 8760 h/a. All

electronic failures are considered hazardous. For more information, see document no. 8015532.

Interfaces

Electrical interface:	Bus adaptor with cable screw fixings or connector ¹⁾
SET (electronic adjustment):	Via PRESET push button or protocol
Bus:	CANopen
Bus interface::	ISO-DIS 11898 ²⁾ ³⁾
Data protocol:	Communication Profile DS 301 V4.0, Device Profile DSP 406 V 2.0
Address setting:	0 ... 63, DIP-switches or protocol
Data transmission rate (baud rate):	1 MBaud, 125 kBaud, 20 kBaud, 250 kBaud, 50 kBaud, 500 kBaud, DIP-switches or protocol/10 kBaud
Status information:	2-colours LED for CAN controller status
Bus termination:	DIP switch

¹⁾ Please order the CANbus adaptor separately ²⁾ CAN High Speed ³⁾ CAN Specification 2.0 B

Ambient data

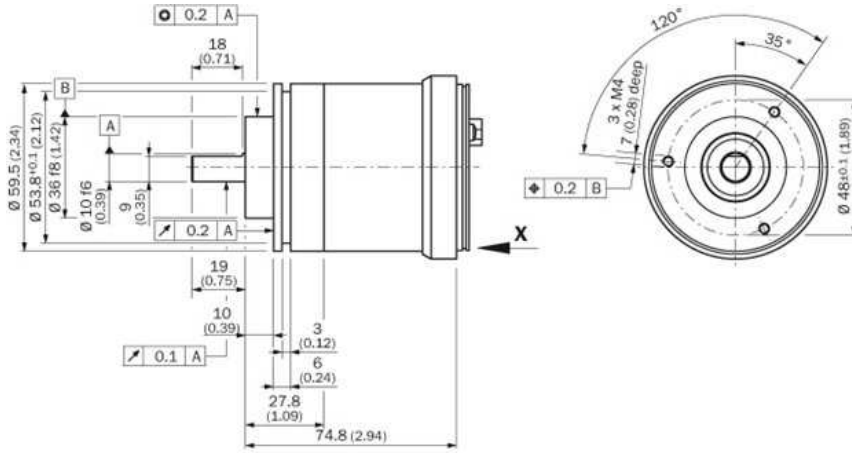
EMC:	(according to EN 61000-6-2 and EN 61000-6-3)
Enclosure rating:	IP 43 (according to IEC 60529), without shaft seal, on encoder flange not sealed, IP 66 (according to IEC 60529), without shaft seal, on encoder flange sealed, IP 67 (according to IEC 60529), with shaft seal ¹⁾
Permissible relative humidity:	98 %
Working temperature range:	-20 °C ... 85 °C
Storage temperature range:	-40 °C ... 125 °C, without package

Resistance to shocks:
Resistance to vibration:

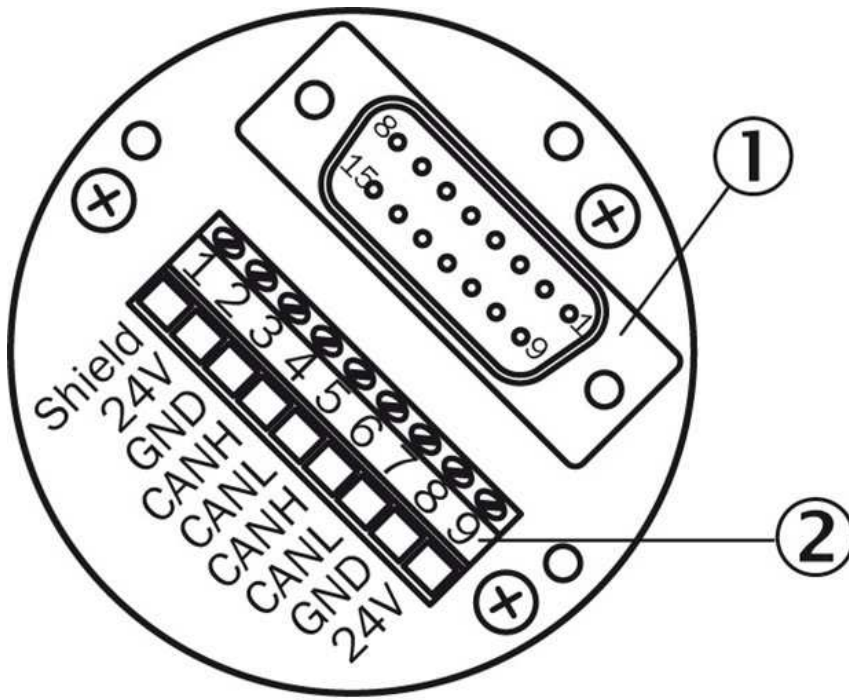
100 g (according to EN 60068-2-27)
20 g, 10 Hz ... 2,000 Hz (according to EN 60068-2-6)

1) With mating connector fitted

Dimensional drawing



PIN assignment



Australia

Phone +61 3 9457 0600
1800 33 48 02 – tollfree
E-Mail sales@sick.com.au

Belgium/Luxembourg

Phone +32 (0)2 466 55 66
E-Mail info@sick.be

Brasil

Phone +55 11 3215-4900
E-Mail marketing@sick.com.br

Canada

Phone +1 905 771 14 44
E-Mail information@sick.com

Česká republika

Phone +420 2 57 91 18 50
E-Mail sick@sick.cz

China

Phone +86 4000 121 000
E-Mail info.china@sick.net.cn
Phone +852-2153 6300
E-Mail ghk@sick.com.hk

Danmark

Phone +45 45 82 64 00
E-Mail sick@sick.dk

Deutschland

Phone +49 211 5301-301
E-Mail info@sick.de

España

Phone +34 93 480 31 00
E-Mail info@sick.es

France

Phone +33 1 64 62 35 00
E-Mail info@sick.fr

Great Britain

Phone +44 (0)1727 831121
E-Mail info@sick.co.uk

India

Phone +91-22-4033 8333
E-Mail info@sick-india.com

Israel

Phone +972-4-6881000
E-Mail info@sick-sensors.com

Italia

Phone +39 02 27 43 41
E-Mail info@sick.it

Japan

Phone +81 (0)3 5309 2112
E-Mail support@sick.jp

Magyarország

Phone +36 1 371 2680
E-Mail office@sick.hu

Nederland

Phone +31 (0)30 229 25 44
E-Mail info@sick.nl

Norge

Phone +47 67 81 50 00
E-Mail sick@sick.no

Österreich

Phone +43 (0)22 36 62 28 8-0
E-Mail office@sick.at

Polska

Phone +48 22 837 40 50
E-Mail info@sick.pl

România

Phone +40 356 171 120
E-Mail office@sick.ro

Russia

Phone +7-495-775-05-30
E-Mail info@sick.ru

Schweiz

Phone +41 41 619 29 39
E-Mail contact@sick.ch

Singapore

Phone +65 6744 3732
E-Mail sales.gsg@sick.com

Slovenija

Phone +386 (0)1-47 69 990
E-Mail office@sick.si

South Africa

Phone +27 11 472 3733
E-Mail info@sickautomation.co.za

South Korea

Phone +82 2 786 6321/4
E-Mail info@sickkorea.net

Suomi

Phone +358-9-25 15 800
E-Mail sick@sick.fi

Sverige

Phone +46 10 110 10 00
E-Mail info@sick.se

Taiwan

Phone +886 2 2375-6288
E-Mail sales@sick.com.tw

Türkiye

Phone +90 (216) 528 50 00
E-Mail info@sick.com.tr

United Arab Emirates

Phone +971 (0) 4 88 65 878
E-Mail info@sick.ae

USA/México

Phone +1(952) 941-6780
1 (800) 325-7425 – tollfree
E-Mail info@sickusa.com

More representatives and agencies
at www.sick.com