



Linear encoders
Lincoder L230

L230-P580C2S00000



Model Name > L230-P580C2S00000
Part No. > 1033532



Illustration may differ

At a glance

- Non-contact length measurement
- wear-, maintenance-free
- Determination of absolute position
- Measuring lengths of up to 40 m possible
- High level of accuracy and high resolution
- High travel speeds of up to 6 m/s

Your benefits

- After installation, the system is immediately available and completely maintenance-free, which leads to time and cost savings.
- High level of accuracy and high resolution enable very precise measurements
- Suitable for high travel speeds, which increases productivity



Features

System part: Read head

Technical necessary constant;

Performance

Measuring length:	40 m
Measurement range:	0 m ... 40 m
Magnetic strip length:	Measurement length + 130 mm ¹⁾
Resolution:	156.25 µm
Piston speed:	6.6 m/s ²⁾
Measurement accuracy:	Typ. +/- 0.3 mm/m at 20 °C
Repeatability:	± 10 µm

¹⁾ Technical necessary constant ²⁾ When exceeding the maximum travel speed limit or when leaving the surface of the measuring element the corresponding error message is produced: 7F FF FF hex

Mechanical data

Connection type:	Male connector, M23, 12-pin
Mass:	0.685 kg
Material:	AlMgSiPbF28

Electrical data

Initialization time:	2,500 s
Position forming time:	750 μ s
Supply voltage:	7 V ... 12 V
Power consumption:	4.5 W

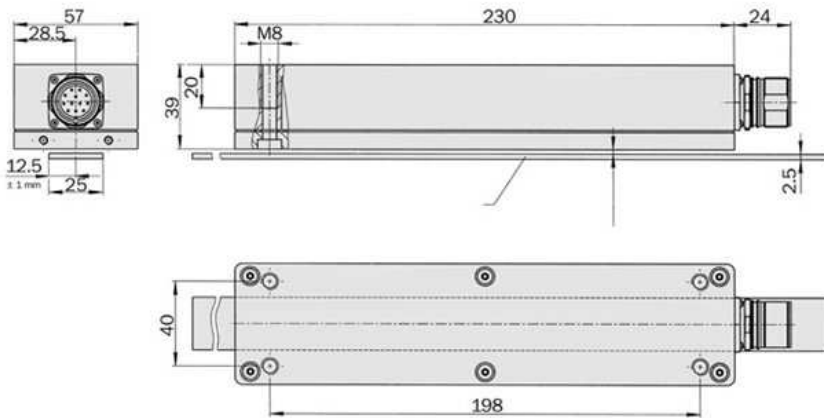
Interfaces

Electrical interface:	7 V ... 12 V, HIPERFACE
-----------------------	-------------------------

Ambient data

Coefficient of thermal expansion:	16 μ m/ $^{\circ}$ C/m
-----------------------------------	----------------------------

Dimensional drawing



Australia

Phone +61 3 9457 0600
1800 33 48 02 – tollfree
E-Mail sales@sick.com.au

Belgium/Luxembourg

Phone +32 (0)2 466 55 66
E-Mail info@sick.be

Brasil

Phone +55 11 3215-4900
E-Mail marketing@sick.com.br

Canada

Phone +1 905 771 14 44
E-Mail information@sick.com

Česká republika

Phone +420 2 57 91 18 50
E-Mail sick@sick.cz

China

Phone +86 4000 121 000
E-Mail info.china@sick.net.cn
Phone +852-2153 6300
E-Mail ghk@sick.com.hk

Danmark

Phone +45 45 82 64 00
E-Mail sick@sick.dk

Deutschland

Phone +49 211 5301-301
E-Mail info@sick.de

España

Phone +34 93 480 31 00
E-Mail info@sick.es

France

Phone +33 1 64 62 35 00
E-Mail info@sick.fr

Great Britain

Phone +44 (0)1727 831121
E-Mail info@sick.co.uk

India

Phone +91-22-4033 8333
E-Mail info@sick-india.com

Israel

Phone +972-4-6881000
E-Mail info@sick-sensors.com

Italia

Phone +39 02 27 43 41
E-Mail info@sick.it

Japan

Phone +81 (0)3 5309 2112
E-Mail support@sick.jp

Magyarország

Phone +36 1 371 2680
E-Mail office@sick.hu

Nederland

Phone +31 (0)30 229 25 44
E-Mail info@sick.nl

Norge

Phone +47 67 81 50 00
E-Mail sick@sick.no

Österreich

Phone +43 (0)22 36 62 28 8-0
E-Mail office@sick.at

Polska

Phone +48 22 837 40 50
E-Mail info@sick.pl

România

Phone +40 356 171 120
E-Mail office@sick.ro

Russia

Phone +7-495-775-05-30
E-Mail info@sick.ru

Schweiz

Phone +41 41 619 29 39
E-Mail contact@sick.ch

Singapore

Phone +65 6744 3732
E-Mail sales.gsg@sick.com

Slovenija

Phone +386 (0)1-47 69 990
E-Mail office@sick.si

South Africa

Phone +27 11 472 3733
E-Mail info@sickautomation.co.za

South Korea

Phone +82 2 786 6321/4
E-Mail info@sickkorea.net

Suomi

Phone +358-9-25 15 800
E-Mail sick@sick.fi

Sverige

Phone +46 10 110 10 00
E-Mail info@sick.se

Taiwan

Phone +886 2 2375-6288
E-Mail sales@sick.com.tw

Türkiye

Phone +90 (216) 528 50 00
E-Mail info@sick.com.tr

United Arab Emirates

Phone +971 (0) 4 88 65 878
E-Mail info@sick.ae

USA/México

Phone +1(952) 941-6780
1 (800) 325-7425 – tollfree
E-Mail info@sickusa.com

More representatives and agencies
at www.sick.com