



Linear encoders  
Lincoder L230

L230-P580A7S00000



**Model Name** > L230-P580A7S00000  
**Part No.** > 1033534



Illustration may differ

**At a glance**

- Non-contact length measurement
- wear-, maintenance-free
- Determination of absolute position
- Measuring lengths of up to 40 m possible
- High level of accuracy and high resolution
- High travel speeds of up to 6 m/s

**Your benefits**

- After installation, the system is immediately available and completely maintenance-free, which leads to time and cost savings.
- High level of accuracy and high resolution enable very precise measurements
- Suitable for high travel speeds, which increases productivity



**Features**

System part: Read head

Technical necessary constant;

**Performance**

Measuring length: 40 m  
 Measurement range: 0 m ... 8.35 m  
 Magnetic strip length: Measurement length + 130 mm <sup>1)</sup>  
 Resolution: 1 µm  
 Piston speed: 6.6 m/s <sup>2)</sup>  
 Measurement accuracy: Typ. +/- 0.3 mm/m at 20 °C  
 Repeatability: ± 10 µm

<sup>1)</sup> Technical necessary constant <sup>2)</sup> When exceeding the maximum travel speed limit or when leaving the surface of the measuring element the corresponding error message is produced: 7F FF FF hex

**Mechanical data**

Connection type: Male connector, M23, 12-pin  
 Mass: 0.685 kg  
 Material: AlMgSiPbF28

### Electrical data

Initialization time:	3,500 s
Position forming time:	750 $\mu$ s
Supply voltage:	10 V ... 32 V
Power consumption:	4.8 W

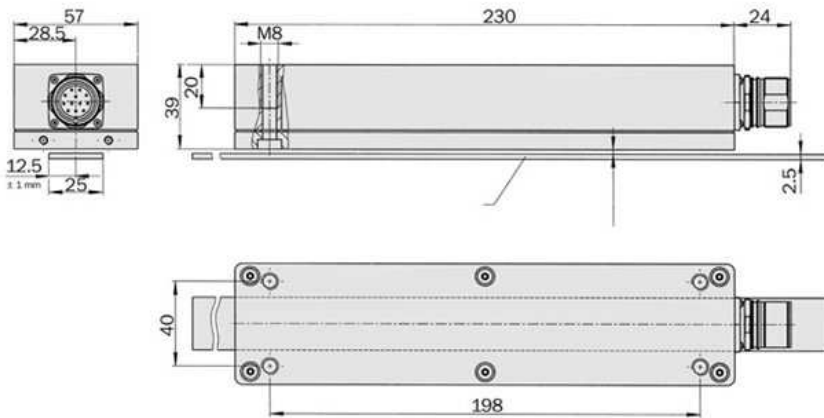
### Interfaces

Electrical interface:	10 V ... 32 V, SSI
-----------------------	--------------------

### Ambient data

Coefficient of thermal expansion:	16 $\mu$ m/ $^{\circ}$ C/m
-----------------------------------	----------------------------

### Dimensional drawing



**Australia**

Phone +61 3 9457 0600  
1800 33 48 02 – tollfree  
E-Mail sales@sick.com.au

**Belgium/Luxembourg**

Phone +32 (0)2 466 55 66  
E-Mail info@sick.be

**Brasil**

Phone +55 11 3215-4900  
E-Mail marketing@sick.com.br

**Canada**

Phone +1 905 771 14 44  
E-Mail information@sick.com

**Česká republika**

Phone +420 2 57 91 18 50  
E-Mail sick@sick.cz

**China**

Phone +86 4000 121 000  
E-Mail info.china@sick.net.cn  
Phone +852-2153 6300  
E-Mail ghk@sick.com.hk

**Danmark**

Phone +45 45 82 64 00  
E-Mail sick@sick.dk

**Deutschland**

Phone +49 211 5301-301  
E-Mail info@sick.de

**España**

Phone +34 93 480 31 00  
E-Mail info@sick.es

**France**

Phone +33 1 64 62 35 00  
E-Mail info@sick.fr

**Great Britain**

Phone +44 (0)1727 831121  
E-Mail info@sick.co.uk

**India**

Phone +91-22-4033 8333  
E-Mail info@sick-india.com

**Israel**

Phone +972-4-6881000  
E-Mail info@sick-sensors.com

**Italia**

Phone +39 02 27 43 41  
E-Mail info@sick.it

**Japan**

Phone +81 (0)3 5309 2112  
E-Mail support@sick.jp

**Magyarország**

Phone +36 1 371 2680  
E-Mail office@sick.hu

**Nederland**

Phone +31 (0)30 229 25 44  
E-Mail info@sick.nl

**Norge**

Phone +47 67 81 50 00  
E-Mail sick@sick.no

**Österreich**

Phone +43 (0)22 36 62 28 8-0  
E-Mail office@sick.at

**Polska**

Phone +48 22 837 40 50  
E-Mail info@sick.pl

**România**

Phone +40 356 171 120  
E-Mail office@sick.ro

**Russia**

Phone +7-495-775-05-30  
E-Mail info@sick.ru

**Schweiz**

Phone +41 41 619 29 39  
E-Mail contact@sick.ch

**Singapore**

Phone +65 6744 3732  
E-Mail sales.gsg@sick.com

**Slovenija**

Phone +386 (0)1-47 69 990  
E-Mail office@sick.si

**South Africa**

Phone +27 11 472 3733  
E-Mail info@sickautomation.co.za

**South Korea**

Phone +82 2 786 6321/4  
E-Mail info@sickkorea.net

**Suomi**

Phone +358-9-25 15 800  
E-Mail sick@sick.fi

**Sverige**

Phone +46 10 110 10 00  
E-Mail info@sick.se

**Taiwan**

Phone +886 2 2375-6288  
E-Mail sales@sick.com.tw

**Türkiye**

Phone +90 (216) 528 50 00  
E-Mail info@sick.com.tr

**United Arab Emirates**

Phone +971 (0) 4 88 65 878  
E-Mail info@sick.ae

**USA/México**

Phone +1(952) 941-6780  
1 (800) 325-7425 – tollfree  
E-Mail info@sickusa.com

More representatives and agencies  
at [www.sick.com](http://www.sick.com)