



## Wire draw encoders HighLine

BTF13-P1HM1025



**Model Name** > **BTF13-P1HM1025**  
**Part No.** > **1034307**



*Illustration may differ*

**At a glance**

- Absolute wire draw encoders
- Modular measuring system with a wide selection of interfaces/measuring lengths
- Measuring lengths: 2 m ... 50 m
- Very rugged system (dirt wiper, integrated brushes), highly shock and vibration resistant
- High-quality winding mechanism and wire input
- Interfaces: - ANALOG, SSI, PROFIBUS, CANopen, DeviceNet, HIPERFACE®
- High enclosure rating
- High resolution possible

**Your benefits**

- Reliable solution in harsh environments
- Long service life due to rugged industrial housing
- Quick and easy installation without the need for precise linear guidance
- Low integration and maintenance costs
- Customization option reduces storage costs
- No reference run necessary thanks to the absolute measuring principle
- Teach-in function enables fast commissioning



**Performance**

Measurement range:	0 m ... 10 m
Repeatability:	≤ 1.5 mm <sup>1)</sup>
Linearity:	≤ ± 2 mm <sup>2)</sup>
Hysteresis:	≤ 3 mm <sup>3)</sup>
Resolution (wire draw + encoder)::	0.04 mm <sup>4) 5)</sup>

<sup>1) 3)</sup> Value refers to wire draw mechanism <sup>2) 4) 5)</sup>

**Mechanical data**

Mass (including encoder):	3.78 kg (A3M60), 4.09 kg (ATM60 PROFIBUS)
Mass (mechanics):	3.5 kg
Measuring wire diameter:	1.35 mm
Measuring wire material:	Highly flexible stranded steel 1.4401 stainless steel V4A
Housing material, wire draw mechanism:	Aluminum (anodised), plastic
Spring return force:	10 N ... 20 N <sup>1)</sup>
Life of wire draw mechanism:	1 million cycles <sup>2)</sup>

Actual length of cable extension:	10.2 m
Wire acceleration:	40 m/s <sup>2</sup>
Operating speed:	4 m/s
Mounted encoder:	A3M60, ATM60 PROFIBUS
Mounted mechanic:	MRA-F130-110D2
Part number mechanic:	6028627
Part number encoder:	1030014
Mass (measuring wire):	7.1 g/m
Length of wire pulled out per revolution:	334.1 mm <sup>3)</sup>
Number of steps per revolution:	8,192

<sup>1)</sup> These values were measured at an ambient temperature of 25 °C. There may be variations at other temperatures. <sup>2) 3)</sup>

## Electrical data

Initialization time::	Ca. 1 s, A3M60, Ca. 12 s, ATM60 PROFIBUS <sup>1) 2)</sup>
Supply voltage:	10 V ... 32 V
Power consumption:	1.5 W (A3M60), 2 W (ATM60 PROFIBUS)
MTTFd: mean time to dangerous failure:::	150 a (ATM60 PROFIBUS), 60 a (A3M60) <sup>3) 4) 5) 6)</sup>

<sup>1) 2)</sup> Valid positional data can be read once this time has elapsed. <sup>3) 5)</sup> This product is a standard product and does not constitute a safety component as defined in the Machinery Directive.

Calculation based on nominal load of components, average ambient temperature 40°C, frequency of use 8760 h/a. All

electronic failures are considered hazardous. For more information, see document no. 8015532. <sup>4) 6)</sup> The value applies to the mounted encoder

## Interfaces

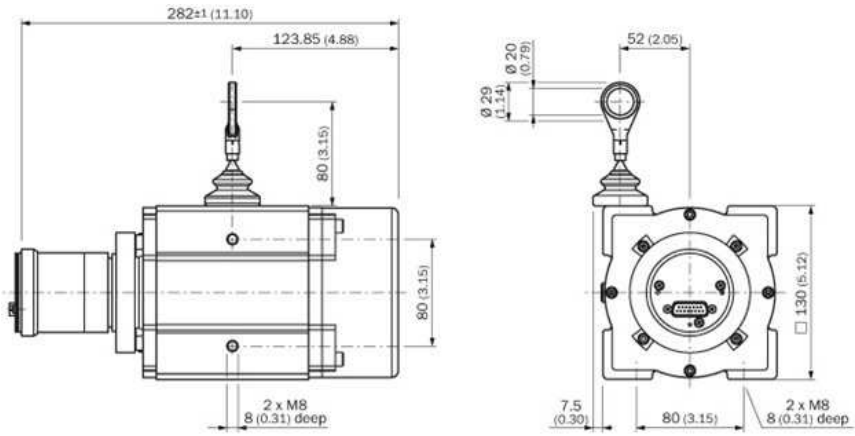
Electrical interface:	PROFIBUS
Connection type:	Bus adaptor with cable screw fixings or connector, radial <sup>1)</sup>
Address setting:	0 ... 127, DIP switch
Protocol:	PROFIBUS DP V0 (A3M60), Profil für Encoder (07hex) - Class 2 (ATM60 PROFIBUS)
Bus termination:	Via DIP switches
SET (electronic adjustment):	Via PRESET push button or protocol
Encoder profile:	Encoder profile version 1.1 class 1 and class 2 (A3M60), Profil für Encoder (07hex) - Class 2 (ATM60 PROFIBUS)
Encoder:	Absolute encoders

<sup>1)</sup> Please order the bus adaptor separately

## Ambient data

EMC:	(according to EN 61000-6-2 and EN 61000-6-3)
Enclosure rating encoder:	IP 67
Enclosure rating mechanic:	IP 64
Resistance to shocks:	100 g, 6 ms (according to EN 60068-2-27)
Resistance to vibration:	30 g, 10 Hz ... 2,000 Hz (according to EN 60068-2-6)
Relative humidity/Condensation:	95 % (A3M60, condensation of the optical scanning not permitted), 98 % (ATM60 PROFIBUS, condensation of the optical scanning not permitted)
Working temperature range (encoder):	-10 °C ... +70 °C, A3M60, -20 °C ... +70 °C, ATM60 PROFIBUS
Working temperature range (mechanics):	-30 °C ... +70 °C
Working temperature range (combination):	Wird definiert durch den höheren minimalen und niedrigeren maximalen Wert des Arbeitstemperaturbereichs von Encoder und Mechanik

## Dimensional drawing



**Australia**

Phone +61 3 9457 0600  
1800 33 48 02 – tollfree  
E-Mail sales@sick.com.au

**Belgium/Luxembourg**

Phone +32 (0)2 466 55 66  
E-Mail info@sick.be

**Brasil**

Phone +55 11 3215-4900  
E-Mail marketing@sick.com.br

**Canada**

Phone +1 905 771 14 44  
E-Mail information@sick.com

**Česká republika**

Phone +420 2 57 91 18 50  
E-Mail sick@sick.cz

**China**

Phone +86 4000 121 000  
E-Mail info.china@sick.net.cn  
Phone +852-2153 6300  
E-Mail ghk@sick.com.hk

**Danmark**

Phone +45 45 82 64 00  
E-Mail sick@sick.dk

**Deutschland**

Phone +49 211 5301-301  
E-Mail info@sick.de

**España**

Phone +34 93 480 31 00  
E-Mail info@sick.es

**France**

Phone +33 1 64 62 35 00  
E-Mail info@sick.fr

**Great Britain**

Phone +44 (0)1727 831121  
E-Mail info@sick.co.uk

**India**

Phone +91-22-4033 8333  
E-Mail info@sick-india.com

**Israel**

Phone +972-4-6881000  
E-Mail info@sick-sensors.com

**Italia**

Phone +39 02 27 43 41  
E-Mail info@sick.it

**Japan**

Phone +81 (0)3 5309 2112  
E-Mail support@sick.jp

**Magyarország**

Phone +36 1 371 2680  
E-Mail office@sick.hu

**Nederland**

Phone +31 (0)30 229 25 44  
E-Mail info@sick.nl

**Norge**

Phone +47 67 81 50 00  
E-Mail sick@sick.no

**Österreich**

Phone +43 (0)22 36 62 28 8-0  
E-Mail office@sick.at

**Polska**

Phone +48 22 837 40 50  
E-Mail info@sick.pl

**România**

Phone +40 356 171 120  
E-Mail office@sick.ro

**Russia**

Phone +7-495-775-05-30  
E-Mail info@sick.ru

**Schweiz**

Phone +41 41 619 29 39  
E-Mail contact@sick.ch

**Singapore**

Phone +65 6744 3732  
E-Mail sales.gsg@sick.com

**Slovenija**

Phone +386 (0)1-47 69 990  
E-Mail office@sick.si

**South Africa**

Phone +27 11 472 3733  
E-Mail info@sickautomation.co.za

**South Korea**

Phone +82 2 786 6321/4  
E-Mail info@sickkorea.net

**Suomi**

Phone +358-9-25 15 800  
E-Mail sick@sick.fi

**Sverige**

Phone +46 10 110 10 00  
E-Mail info@sick.se

**Taiwan**

Phone +886 2 2375-6288  
E-Mail sales@sick.com.tw

**Türkiye**

Phone +90 (216) 528 50 00  
E-Mail info@sick.com.tr

**United Arab Emirates**

Phone +971 (0) 4 88 65 878  
E-Mail info@sick.ae

**USA/México**

Phone +1(952) 941-6780  
1 (800) 325-7425 – tollfree  
E-Mail info@sickusa.com

More representatives and agencies  
at [www.sick.com](http://www.sick.com)