



## Motor feedback systems rotary HIPERFACE® SKS/SKM36

SKM36-HVA0-K02



**Model Name** > SKM36-HVA0-K02  
**Part No.** > 1035601



*Illustration may differ*

**At a glance**

- Motor feedback systems for the standard performance range
- 128 sine/cosine periods per revolution
- Absolute position with a resolution of 4,096 increments per revolution and 4,096 revolutions with the multiturn system
- Programming of the position value and electronic type label
- HIPERFACE® interface
- Integrated version and stand-alone design
- Certified according to SIL2/PL d (only valid for SKS36S/SKM36S-H...)
- Conforms to RoHs

**Your benefits**

- The small dimension allows manufacturers of low-power and minimal-power motors to considerably reduce the size of their motors
- The stand-alone version is ideally suited as a master and path encoders
- The SKS/SKM36 motor feedback systems have strongly penetrated the drive technology market
- The consistent mechanical components in SEK/SEL37 allow for a high degree of flexibility with various encoder systems



**Performance**

Number of sine/cosine periods per revolution:	128
Number of the absolute ascertainable revolutions:	4,096 (Multiturn)
Total number of steps:	16,777,216
Measuring step:	2.5 angular seconds at interpolation of the sine/cosine signals with e.g. 12 Bit
Error limits for the digital absolute value:	± 320 angular seconds (via RS485)
Differential non-linearity:	(Non-linearity within a sine/cosine period)
Operating speed:	6,000 /min, up to which the absolute position can be reliably produced
Available memory area:	1,792 Byte, 1,792 Byte (E2PROM 2048)
Integral non-linearity typ.:	± 120 angular seconds (Error limits for evaluating sine/cosine period)

**Mechanical data**

Shaft diameter:	6 mm
Flange type/stator coupling:	Servo-/face mount flange
Dimensions:	See dimensional drawing
Mass:	0.14 kg
Moment of inertia of the rotor:	6 gcm <sup>2</sup>

Maximum angular acceleration:	500,000 rad/s <sup>2</sup>
Operating torque:	0.6 Ncm
Start up torque:	0.9 Ncm
Life of ball bearings:	2.0 x 10 <sup>9</sup> revolutions
Connection type:	Male connector M12, 8-pin, radial
Shaft version:	Solid shaft
Permissible Load capacity of shaft:	10 N (radial), 5 N (axial)

### Electrical data

---

Electrical interface:	HIPERFACE
Operating voltage range/supply Voltage:	7 V DC ... 12 V DC
Recommended supply voltage:	8 V DC
Output frequency for sine/cosine signals:	0 kHz ... 65 kHz
Operating power consumption (no load):	60 mA <sup>1)</sup>

<sup>1)</sup> Without load

### Interfaces

---

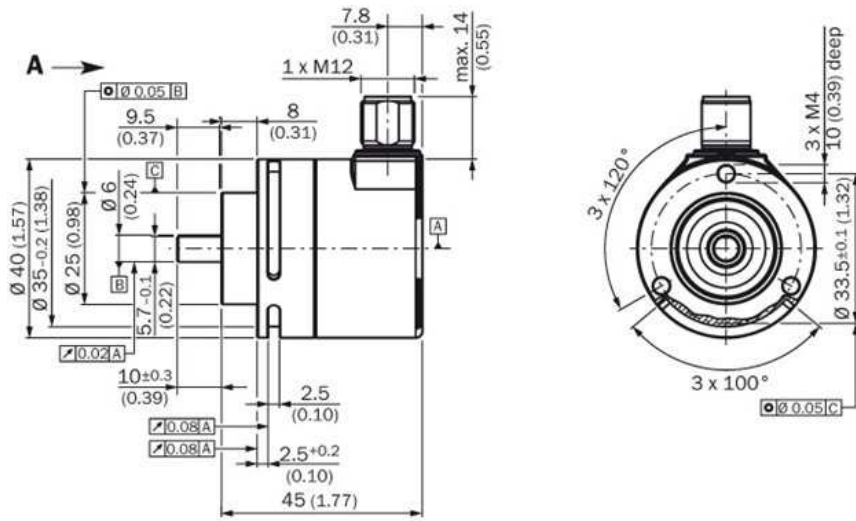
Type of code for the absolute value:	Binary
Code sequence:	Increasing, for clockwise shaft rotation, looking in direction "A" (see dimensional drawing)
Interface signals:	Parameter channel RS 485: digital, Process data channel SIN, REFSIN, COS, REFCOS: analog, differential

### Ambient data

---

Working temperature range:	-20 °C ... +100 °C
Storage temperature range:	-40 °C ... +125 °C, without package
Relative humidity/Condensation:	90 %, Condensation not permitted
Resistance to shocks:	100 g/6 ms/according to EN 60068-2-27
Resistance to vibration:	50 g/10 Hz/2,000 Hz/according to EN 60068-2-6
EMC:	(according to EN 61000-6-2 and EN 61000-6-3)
Enclosure rating:	IP 65 (according to IEC 60529), with mating connector inserted

Dimensional drawing



**Australia**

Phone +61 3 9457 0600  
1800 33 48 02 – tollfree  
E-Mail sales@sick.com.au

**Belgium/Luxembourg**

Phone +32 (0)2 466 55 66  
E-Mail info@sick.be

**Brasil**

Phone +55 11 3215-4900  
E-Mail marketing@sick.com.br

**Canada**

Phone +1 905 771 14 44  
E-Mail information@sick.com

**Česká republika**

Phone +420 2 57 91 18 50  
E-Mail sick@sick.cz

**China**

Phone +86 4000 121 000  
E-Mail info.china@sick.net.cn  
Phone +852-2153 6300  
E-Mail ghk@sick.com.hk

**Danmark**

Phone +45 45 82 64 00  
E-Mail sick@sick.dk

**Deutschland**

Phone +49 211 5301-301  
E-Mail info@sick.de

**España**

Phone +34 93 480 31 00  
E-Mail info@sick.es

**France**

Phone +33 1 64 62 35 00  
E-Mail info@sick.fr

**Great Britain**

Phone +44 (0)1727 831121  
E-Mail info@sick.co.uk

**India**

Phone +91-22-4033 8333  
E-Mail info@sick-india.com

**Israel**

Phone +972-4-6881000  
E-Mail info@sick-sensors.com

**Italia**

Phone +39 02 27 43 41  
E-Mail info@sick.it

**Japan**

Phone +81 (0)3 5309 2112  
E-Mail support@sick.jp

**Magyarország**

Phone +36 1 371 2680  
E-Mail office@sick.hu

**Nederland**

Phone +31 (0)30 229 25 44  
E-Mail info@sick.nl

**Norge**

Phone +47 67 81 50 00  
E-Mail sick@sick.no

**Österreich**

Phone +43 (0)22 36 62 28 8-0  
E-Mail office@sick.at

**Polska**

Phone +48 22 837 40 50  
E-Mail info@sick.pl

**România**

Phone +40 356 171 120  
E-Mail office@sick.ro

**Russia**

Phone +7-495-775-05-30  
E-Mail info@sick.ru

**Schweiz**

Phone +41 41 619 29 39  
E-Mail contact@sick.ch

**Singapore**

Phone +65 6744 3732  
E-Mail sales.gsg@sick.com

**Slovenija**

Phone +386 (0)1-47 69 990  
E-Mail office@sick.si

**South Africa**

Phone +27 11 472 3733  
E-Mail info@sickautomation.co.za

**South Korea**

Phone +82 2 786 6321/4  
E-Mail info@sickkorea.net

**Suomi**

Phone +358-9-25 15 800  
E-Mail sick@sick.fi

**Sverige**

Phone +46 10 110 10 00  
E-Mail info@sick.se

**Taiwan**

Phone +886 2 2375-6288  
E-Mail sales@sick.com.tw

**Türkiye**

Phone +90 (216) 528 50 00  
E-Mail info@sick.com.tr

**United Arab Emirates**

Phone +971 (0) 4 88 65 878  
E-Mail info@sick.ae

**USA/México**

Phone +1(952) 941-6780  
1 (800) 325-7425 – tollfree  
E-Mail info@sickusa.com

More representatives and agencies  
at [www.sick.com](http://www.sick.com)