



## Motor feedback systems rotary incremental VFS60

VFS60E-T7AK01024

**Model Name** > [VFS60E-T7AK01024](#)  
**Part No.** > [1036104](#)



**At a glance**

- TTL, HTL or sine 0.5 VSS interfaces
- Resolution of up to 65,536 lines per revolution
- Individual programming of the interface, line count and of the zero pulse
- Direct programming via RS485
- Excellent concentricity through large distance between the ball bearings
- Exceptional robustness and protection class IP 65
- Mechanical flexibility through blind hollow shaft and through hollow shafts with diameters of 8 to 15 mm, available with various torque supports
- Temperature range from -30 °C to +100 °C

**Your benefits**

- Programmable version for a reduced product variety
- Various programming tools designed to take into account your own programming requirements
- High performance and reliability even in rough ambient conditions
- Large ball bearing distances reduce uneven wear and minimize vibration on the motor feedback housing, which increases the motor feedback system's service life
- High vibration resistance and extended temperature range through nickel code disk



**Performance**

---

|                                 |   |
|---------------------------------|---|
| Number of lines per revolution: | 1,024                                   |
| Reference signal, number:       | 1                                       |
| Reference signal, position:     | 90 ° electronically, gated with A and B |
| Error limits:                   | ± 0.3 °                                 |
| Measuring step deviation:       | ± 0.2 °                                 |
| Maximum initialisation time:    | 40 ms                                   |

**Mechanical data**

---

|                                 |                         |
|---------------------------------|-------------------------|
| Shaft diameter:                 | 14 mm                   |
| Shaft material:                 | Plastic                 |
| Shaft plug-in length:           | ≥ 48 mm                 |
| Flange type/stator coupling:    | Standard                |
| Dimensions:                     | See dimensional drawing |
| Mass:                           | 0.2 kg                  |
| Moment of inertia of the rotor: | 40 gcm <sup>2</sup>     |

|  |   |
|--|---|
| Maximum operating speed:                     | 9,000 /min <sup>1)</sup>                  |
| Maximum angular acceleration:                | 500,000 rad/s <sup>2</sup>                |
| Operating torque:                            | 0.6 Ncm (20 °C)                           |
| Start up torque:                             | 0.8 Ncm (20 °C)                           |
| Permissible shaft movement, radial, dynamic: | ± 0.1 mm                                  |
| Permissible shaft movement, axial, dynamic:  | ± 0.2 mm                                  |
| Life of ball bearings:                       | 3.0 x 10 <sup>9</sup> revolutions         |
| Connection type:                             | Cable, 8-pin, radial, 1.5 m <sup>2)</sup> |

<sup>1)</sup> Self-warming 3.3 K/1,000 1/min, when applying note working temperature range <sup>2)</sup> The universal cable outlet is positioned in such a way, that it is possible to lay the cable in a radial or axial direction without kinking it

### Electrical data

---

|   |                     |
|---|---------------------|
| Electrical interface:                   | TTL/RS422           |
| Operating voltage range/supply Voltage: | 4.5 V ... 5.5 V     |
| Maximum output frequency:               | 300 kHz             |
| Maximum load current:                   | 30 mA               |
| Operating power consumption (no load):  | 40 mA <sup>1)</sup> |

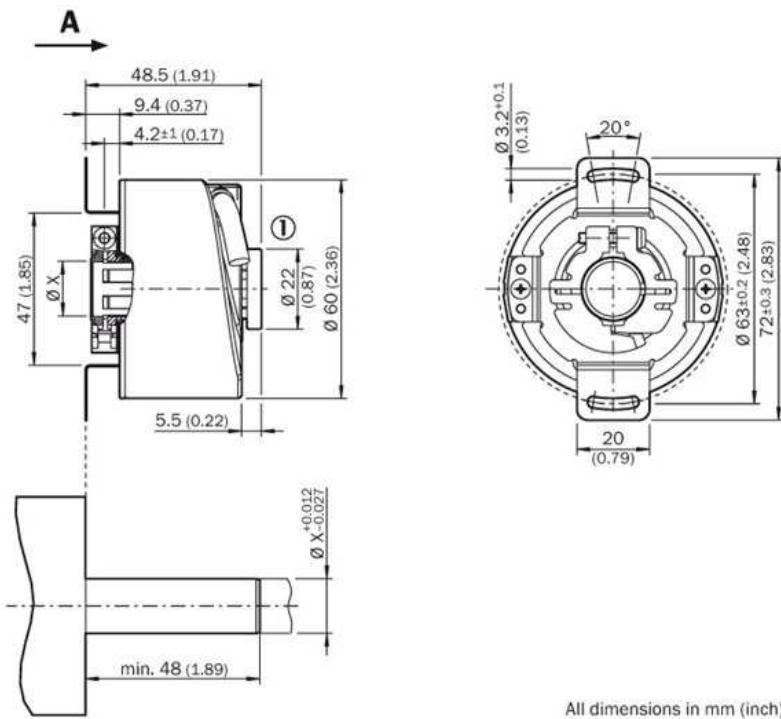
<sup>1)</sup> Without load

### Ambient data

---

|                                 |   |
|---------------------------------|---|
| Working temperature range:      | -30 °C ... 100 °C   |
| Storage temperature range:      | -40 °C ... 100 °C, without package  |
| Relative humidity/Condensation: | 90 %, condensation of the optical scanning not permitted  |
| Resistance to shocks:           | 70 g, 6 ms (according to EN 60068-2-27)   |
| Resistance to vibration:        | 30 g, 10 Hz ... 2,000 Hz (according to EN 60068-2-6)  |
| EMC:                            | (according to EN 61000-6-2 and EN 61000-6-4)  |
| Enclosure rating:               | IP 65 (according to IEC 60529), housing side cable outlet, IP 65 (according to IEC 60529), shaft side |

# Dimensional drawing



All dimensions in mm (inch)

**Australia**

Phone +61 3 9457 0600  
1800 33 48 02 – tollfree  
E-Mail sales@sick.com.au

**Belgium/Luxembourg**

Phone +32 (0)2 466 55 66  
E-Mail info@sick.be

**Brasil**

Phone +55 11 3215-4900  
E-Mail marketing@sick.com.br

**Canada**

Phone +1 905 771 14 44  
E-Mail information@sick.com

**Česká republika**

Phone +420 2 57 91 18 50  
E-Mail sick@sick.cz

**China**

Phone +86 4000 121 000  
E-Mail info.china@sick.net.cn  
Phone +852-2153 6300  
E-Mail ghk@sick.com.hk

**Danmark**

Phone +45 45 82 64 00  
E-Mail sick@sick.dk

**Deutschland**

Phone +49 211 5301-301  
E-Mail info@sick.de

**España**

Phone +34 93 480 31 00  
E-Mail info@sick.es

**France**

Phone +33 1 64 62 35 00  
E-Mail info@sick.fr

**Great Britain**

Phone +44 (0)1727 831121  
E-Mail info@sick.co.uk

**India**

Phone +91-22-4033 8333  
E-Mail info@sick-india.com

**Israel**

Phone +972-4-6881000  
E-Mail info@sick-sensors.com

**Italia**

Phone +39 02 27 43 41  
E-Mail info@sick.it

**Japan**

Phone +81 (0)3 5309 2112  
E-Mail support@sick.jp

**Magyarország**

Phone +36 1 371 2680  
E-Mail office@sick.hu

**Nederland**

Phone +31 (0)30 229 25 44  
E-Mail info@sick.nl

**Norge**

Phone +47 67 81 50 00  
E-Mail sick@sick.no

**Österreich**

Phone +43 (0)22 36 62 28 8-0  
E-Mail office@sick.at

**Polska**

Phone +48 22 837 40 50  
E-Mail info@sick.pl

**România**

Phone +40 356 171 120  
E-Mail office@sick.ro

**Russia**

Phone +7-495-775-05-30  
E-Mail info@sick.ru

**Schweiz**

Phone +41 41 619 29 39  
E-Mail contact@sick.ch

**Singapore**

Phone +65 6744 3732  
E-Mail sales.gsg@sick.com

**Slovenija**

Phone +386 (0)1-47 69 990  
E-Mail office@sick.si

**South Africa**

Phone +27 11 472 3733  
E-Mail info@sickautomation.co.za

**South Korea**

Phone +82 2 786 6321/4  
E-Mail info@sickkorea.net

**Suomi**

Phone +358-9-25 15 800  
E-Mail sick@sick.fi

**Sverige**

Phone +46 10 110 10 00  
E-Mail info@sick.se

**Taiwan**

Phone +886 2 2375-6288  
E-Mail sales@sick.com.tw

**Türkiye**

Phone +90 (216) 528 50 00  
E-Mail info@sick.com.tr

**United Arab Emirates**

Phone +971 (0) 4 88 65 878  
E-Mail info@sick.ae

**USA/México**

Phone +1(952) 941-6780  
1 (800) 325-7425 – tollfree  
E-Mail info@sickusa.com

More representatives and agencies  
at [www.sick.com](http://www.sick.com)