



## Motor feedback systems rotary HIPERFACE®

SEK52-H1A0-K02



**Model Name** > [SEK52-H1A0-K02](#)

**Part No.** > [1037369](#)



### At a glance

- Motor feedback systems for the basic performance range
- 16 sine/cosine periods per revolution
- Absolute position with a resolution of 512 increments per revolution and 4,096 revolutions with the multiturn system
- Programming of the position value
- Electronic type label
- HIPERFACE® interface
- Various shaft variants: Hollow and tapered shaft and as shoulder clamping
- Conforms to RoHs

### Your benefits

- The small dimension allows manufacturers of low-power and minimal-power motors to considerably reduce the size of their motors
- The SEK/SEL52 motor feedback systems are excellently suited for use under rough environmental conditions
- The capacitive principle of measurement with holistic scanning allows for high axial and radial tolerances
- Due to the resolver-compatible mechanical components of the SEK/SEL52 motor feedback systems the encoders can be mounted immediately



### Performance

Number of sine/cosine periods per revolution:	16
Number of the absolute ascertainable revolutions:	1 (Singleturn)
Total number of steps:	512
Measuring step:	20 angular seconds (at interpolation of the sine/cosine signals with e.g. 12 Bit)
Integral non-linearity typ.:	± 288 angular seconds (Error limits for evaluating sine/cosine period) typical values at nominal position ± 0,1 mm and + 20 °C
Differential non-linearity:	± 72 angular seconds (Non-linearity within a sine/cosine period) typical values at nominal position ± 0,1 mm and + 20 °C
Operating speed:	6,000 /min, up to which the absolute position can be reliably produced
Available memory area:	1,792 B (EEPROM 2048) <sup>1)</sup>
Maximum number of steps per revolution:	512 Via RS485

<sup>1)</sup> If applying the electronic type label, in connection with numeric controllers, attention should be paid to Patent EP 425 912 B 2, application of the electronic type label in connection with speed regulation ist exempt.

## Mechanical data

---

Shaft diameter:	12.7 mm
Dimensions:	See dimensional drawing
Mass:	0.04 kg (without cover) 0.07 kg (with cover part no. 2048234)
Moment of inertia of the rotor:	6 gcm <sup>2</sup>
Operating speed:	12,000 /min
Angular acceleration:	500,000 rad/s <sup>2</sup>
Connection type:	Connector, 8-pin, axial
Permissible axial shaft movement:	± 0.5 mm
Shaft version:	Blind hollow shaft
Permissible radial shaft movement:	± 0.15 mm

## Electrical data

---

Electrical interface:	HIPERFACE
Operating voltage range/supply Voltage:	7 V DC ... 12 V DC
Recommended supply voltage:	8 V DC
Operating current:	< 50 mA <sup>1)</sup>

<sup>1)</sup> Without load

## Interfaces

---

Type of code for the absolute value:	Binary
Code sequence:	Increasing, for clockwise shaft rotation, looking in direction "A" (see dimensional drawing)
Interface signals:	Process data channel SIN, REFSIN, COS, REFCOS: analog, differential parameter channel RS 485: digital

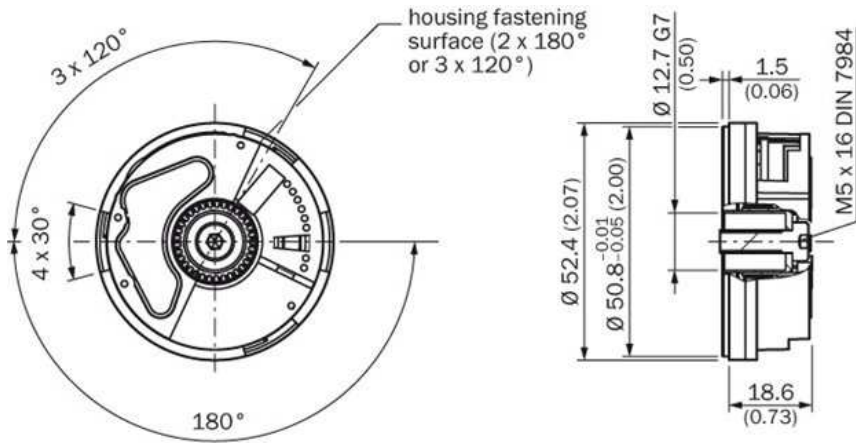
## Ambient data

---

Working temperature range:	-40 °C ... 115 °C
Storage temperature range:	-50 °C ... 125 °C, without package
Relative humidity/Condensation:	90 %, Condensation not permitted
Resistance to shocks:	100 g, 10 ms (according to EN 60068-2-27)
Resistance to vibration:	50 g, 10 Hz ... 2,000 Hz (according to EN 60068-2-6)
EMC:	According to EN 61000-6-2 and EN 61000-6-3 <sup>1)</sup>
Enclosure rating:	IP 40, according to IEC 60529, built-on version, with mating connector inserted and closed cover

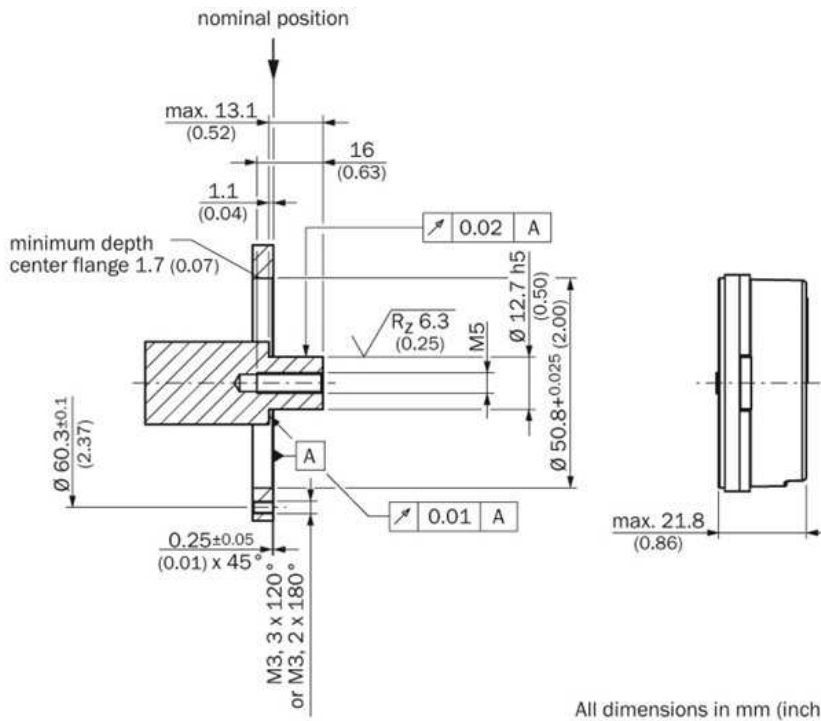
<sup>1)</sup> The EMC according to the standards quoted is achieved when the motor feedback system is mounted in an electrically conductive housing, which is connected to the central earthing point of the motor controller via a cable screen and by using the cover (part no. 2048232). Users must perform their own tests when other screen designs are used.

**Dimensional drawing**



All dimensions in mm (inch)

**Proposed fitting**



All dimensions in mm (inch)

**Australia**

Phone +61 3 9457 0600  
1800 33 48 02 – tollfree  
E-Mail sales@sick.com.au

**Belgium/Luxembourg**

Phone +32 (0)2 466 55 66  
E-Mail info@sick.be

**Brasil**

Phone +55 11 3215-4900  
E-Mail marketing@sick.com.br

**Canada**

Phone +1 905 771 14 44  
E-Mail information@sick.com

**Česká republika**

Phone +420 2 57 91 18 50  
E-Mail sick@sick.cz

**China**

Phone +86 4000 121 000  
E-Mail info.china@sick.net.cn  
Phone +852-2153 6300  
E-Mail ghk@sick.com.hk

**Danmark**

Phone +45 45 82 64 00  
E-Mail sick@sick.dk

**Deutschland**

Phone +49 211 5301-301  
E-Mail info@sick.de

**España**

Phone +34 93 480 31 00  
E-Mail info@sick.es

**France**

Phone +33 1 64 62 35 00  
E-Mail info@sick.fr

**Great Britain**

Phone +44 (0)1727 831121  
E-Mail info@sick.co.uk

**India**

Phone +91-22-4033 8333  
E-Mail info@sick-india.com

**Israel**

Phone +972-4-6881000  
E-Mail info@sick-sensors.com

**Italia**

Phone +39 02 27 43 41  
E-Mail info@sick.it

**Japan**

Phone +81 (0)3 5309 2112  
E-Mail support@sick.jp

**Magyarország**

Phone +36 1 371 2680  
E-Mail office@sick.hu

**Nederland**

Phone +31 (0)30 229 25 44  
E-Mail info@sick.nl

**Norge**

Phone +47 67 81 50 00  
E-Mail sick@sick.no

**Österreich**

Phone +43 (0)22 36 62 28 8-0  
E-Mail office@sick.at

**Polska**

Phone +48 22 837 40 50  
E-Mail info@sick.pl

**România**

Phone +40 356 171 120  
E-Mail office@sick.ro

**Russia**

Phone +7-495-775-05-30  
E-Mail info@sick.ru

**Schweiz**

Phone +41 41 619 29 39  
E-Mail contact@sick.ch

**Singapore**

Phone +65 6744 3732  
E-Mail sales.gsg@sick.com

**Slovenija**

Phone +386 (0)1-47 69 990  
E-Mail office@sick.si

**South Africa**

Phone +27 11 472 3733  
E-Mail info@sickautomation.co.za

**South Korea**

Phone +82 2 786 6321/4  
E-Mail info@sickkorea.net

**Suomi**

Phone +358-9-25 15 800  
E-Mail sick@sick.fi

**Sverige**

Phone +46 10 110 10 00  
E-Mail info@sick.se

**Taiwan**

Phone +886 2 2375-6288  
E-Mail sales@sick.com.tw

**Türkiye**

Phone +90 (216) 528 50 00  
E-Mail info@sick.com.tr

**United Arab Emirates**

Phone +971 (0) 4 88 65 878  
E-Mail info@sick.ae

**USA/México**

Phone +1(952) 941-6780  
1 (800) 325-7425 – tollfree  
E-Mail info@sickusa.com

More representatives and agencies  
at [www.sick.com](http://www.sick.com)