

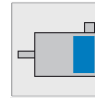


Motor feedback systems rotary HIPERFACE®

SEL37-HFBO-K02



Model Name > SEL37-HFB0-K02
Part No. > 1037379



At a glance

- Motor feedback systems for the basic performance range
- 16 sine/cosine periods per revolution
- Absolute position with a resolution of 512 increments per revolution and 4,096 revolutions with the multiturn system
- Programming of the position value
- Electronic type label
- HIPERFACE® interface
- Installed version with tapered shaft and axial or radial connector outlet
- Conforms to RoHs

Your benefits

- The small dimension allows manufacturers of low-power and minimal-power motors to considerably reduce the size of their motors
- The SEK/SEL37 motor feedback systems are excellently suited for use under rough environmental conditions
- The capacitive principle of measurement with holistic scanning allows for high axial and radial tolerances
- The consistent mechanical components in SKS/SKM36 allow for a high degree of flexibility with various encoder systems



Performance

Number of sine/cosine periods per revolution:	16
Number of the absolute ascertainable revolutions:	4,096 (Multiturn)
Total number of steps:	2,097,152
Measuring step:	20 angular seconds (at interpolation of the sine/cosine signals with e.g. 12 Bit)
Integral non-linearity typ.:	± 288 angular seconds (Error limits for evaluating sine/cosine period) typical values at nominal position ± 0,1 mm and + 20 °C
Differential non-linearity:	± 144 angular seconds (Non-linearity within a sine/cosine period) typical values at nominal position ± 0,1 mm and + 20 °C
Operating speed:	6,000 /min, up to which the absolute position can be reliably produced
Available memory area:	1,792 Byte (EEPROM 2048) ¹⁾
Maximum number of steps per revolution:	512 Via RS485

¹⁾ If applying the electronic type label, in connection with numeric controllers, attention should be paid to Patent EP 425 912 B 2, application of the electronic type label in connection with speed regulation ist exempt.

Mechanical data

Dimensions:	See dimensional drawing
Mass:	0.04 kg
Moment of inertia of the rotor:	1 gcm ²
Maximum operating speed:	12,000 /min
Maximum angular acceleration:	500,000 rad/s ²
Connection type:	Connector, 8-pin, radial
Permissible axial shaft movement:	± 0.3 mm
Shaft version:	Tapered shaft
Permissible radial shaft movement:	± 0.15 mm

Electrical data

Electrical interface:	HIPERFACE
Operating voltage range/supply Voltage:	7 V DC ... 12 V DC
Recommended supply voltage:	8 V DC
Operating current:	< 50 mA ¹⁾

¹⁾ Without load

Interfaces

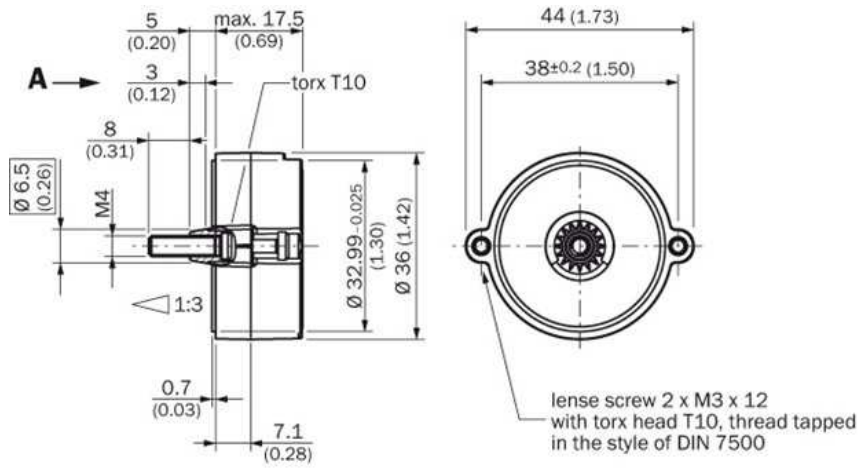
Type of code for the absolute value:	Binary
Code sequence:	Increasing, for clockwise shaft rotation, looking in direction "A" (see dimensional drawing)
Interface signals:	Process data channel SIN, REFSIN, COS, REFCOS: analog, differential parameter channel RS 485: digital

Ambient data

Working temperature range:	-20 °C ... 115 °C
Storage temperature range:	-50 °C ... 125 °C, without package
Relative humidity/Condensation:	90 %, Condensation not permitted
Resistance to shocks:	100 g, 10 ms (according to EN 60068-2-27)
Resistance to vibration:	50 g, 10 Hz ... 2,000 Hz (according to EN 60068-2-6)
EMC:	According to EN 61000-6-2 and EN 61000-6-3 ¹⁾
Enclosure rating:	IP 20, according to IEC 60529, built-on version, with mating connector inserted and closed cover

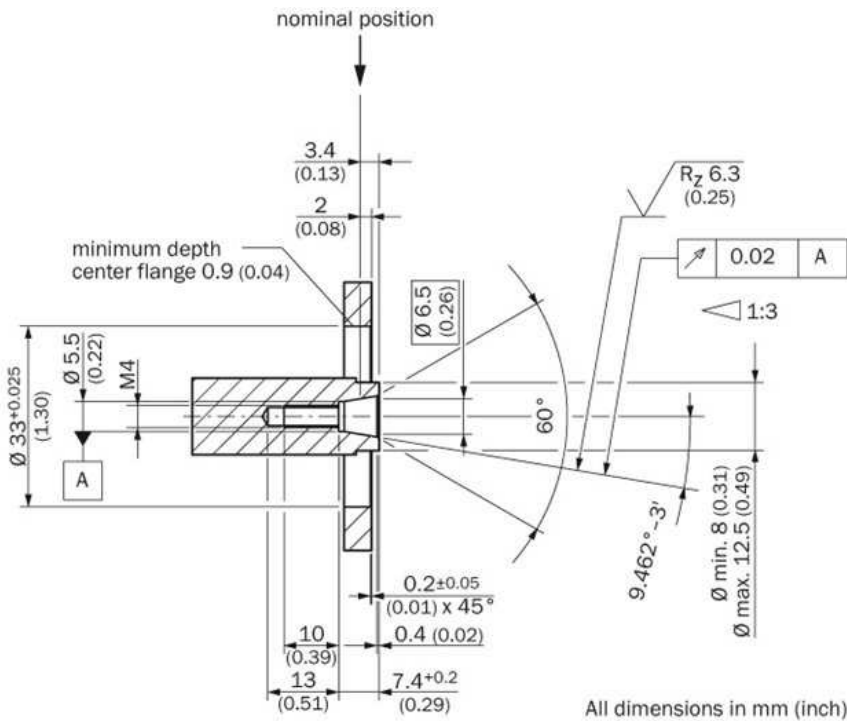
¹⁾ The EMC according to the standards quoted is achieved when the motor feedback system is mounted in an electrically conductive housing, which is connected to the central earthing point of the motor controller via a cable screen. Users must perform their own tests when other screen designs are used.

Dimensional drawing



All dimensions in mm (inch)

Proposed fitting



All dimensions in mm (inch)

Australia

Phone +61 3 9457 0600
1800 33 48 02 – tollfree
E-Mail sales@sick.com.au

Belgium/Luxembourg

Phone +32 (0)2 466 55 66
E-Mail info@sick.be

Brasil

Phone +55 11 3215-4900
E-Mail marketing@sick.com.br

Canada

Phone +1 905 771 14 44
E-Mail information@sick.com

Česká republika

Phone +420 2 57 91 18 50
E-Mail sick@sick.cz

China

Phone +86 4000 121 000
E-Mail info.china@sick.net.cn
Phone +852-2153 6300
E-Mail ghk@sick.com.hk

Danmark

Phone +45 45 82 64 00
E-Mail sick@sick.dk

Deutschland

Phone +49 211 5301-301
E-Mail info@sick.de

España

Phone +34 93 480 31 00
E-Mail info@sick.es

France

Phone +33 1 64 62 35 00
E-Mail info@sick.fr

Great Britain

Phone +44 (0)1727 831121
E-Mail info@sick.co.uk

India

Phone +91-22-4033 8333
E-Mail info@sick-india.com

Israel

Phone +972-4-6881000
E-Mail info@sick-sensors.com

Italia

Phone +39 02 27 43 41
E-Mail info@sick.it

Japan

Phone +81 (0)3 5309 2112
E-Mail support@sick.jp

Magyarország

Phone +36 1 371 2680
E-Mail office@sick.hu

Nederland

Phone +31 (0)30 229 25 44
E-Mail info@sick.nl

Norge

Phone +47 67 81 50 00
E-Mail sick@sick.no

Österreich

Phone +43 (0)22 36 62 28 8-0
E-Mail office@sick.at

Polska

Phone +48 22 837 40 50
E-Mail info@sick.pl

România

Phone +40 356 171 120
E-Mail office@sick.ro

Russia

Phone +7-495-775-05-30
E-Mail info@sick.ru

Schweiz

Phone +41 41 619 29 39
E-Mail contact@sick.ch

Singapore

Phone +65 6744 3732
E-Mail sales.gsg@sick.com

Slovenija

Phone +386 (0)1-47 69 990
E-Mail office@sick.si

South Africa

Phone +27 11 472 3733
E-Mail info@sickautomation.co.za

South Korea

Phone +82 2 786 6321/4
E-Mail info@sickkorea.net

Suomi

Phone +358-9-25 15 800
E-Mail sick@sick.fi

Sverige

Phone +46 10 110 10 00
E-Mail info@sick.se

Taiwan

Phone +886 2 2375-6288
E-Mail sales@sick.com.tw

Türkiye

Phone +90 (216) 528 50 00
E-Mail info@sick.com.tr

United Arab Emirates

Phone +971 (0) 4 88 65 878
E-Mail info@sick.ae

USA/México

Phone +1(952) 941-6780
1 (800) 325-7425 – tollfree
E-Mail info@sickusa.com

More representatives and agencies
at www.sick.com