



**Absolute encoders  
AFS/AFM60 SSI**

AFS60B-S1AM032768

**Model Name** > [AFS60B-S1AM032768](#)  
**Part No.** > [1037639](#)



#### At a glance

- High-resolution absolute encoders with up to 30 bits (AFM60) or up to 18 bits (AFS60)
- Face mount flange, servo flange, blind or through hollow shaft
- SSI, SSI + Incremental or SSI + Sin/Cos interface
- Programmable resolution and offset (dependent on type)
- Connection system: M12, M23 connector or cable outlet
- Enclosure rating: IP 67 (housing), IP 65 (shaft)
- Operating temperature: -30 °C to +100 °C (depends on type)

#### Your benefits

- Programmability of the encoders means less storage, greater machine availability and easy installation
- Precise positioning due to high resolutions
- Large selection of mechanical interfaces and electrical contacting possibilities: Suitable for all applications
- Suitable for applications with limited space requirements (extremely short installation depth of 30 mm)
- Very good rotation accuracy due to increased bearing distance
- One programming tool and software with automatic encoder detection for AFS60/AFM60/DFS60



#### Performance

|                                      |                     |
|--------------------------------------|---------------------|
| Max. number of steps per revolution: | 32,768              |
| Max. number of revolutions:          | 1                   |
| Resolution power:                    | 32,768 x 1          |
| Error limits:                        | ± 0.05 °            |
| Repeatability (Ta not constant):     | 0.002 °             |
| Measuring step deviation:            | ± 0.01 °            |
| Measuring step:                      | 0.01 °              |
| Initialization time:                 | 50 ms <sup>1)</sup> |

<sup>1)</sup> Valid positional data can be read once this time has elapsed

#### Mechanical data

|                       |                           |
|-----------------------|---------------------------|
| Mechanical interface: | Solid shaft, Servo flange |
| Shaft diameter:       | 6 mm                      |
| Start up torque:      | 0.5 Ncm (20 °C)           |

|                                     |                                   |
|-------------------------------------|-----------------------------------|
| Operating torque:                   | 0.3 Ncm (20 °C)                   |
| Permissible Load capacity of shaft: | 40 N (axial), 80 N (radial)       |
| Maximum operating speed:            | 9,000 /min <sup>1)</sup>          |
| Moment of inertia of the rotor:     | 6.2 gcm <sup>2</sup>              |
| Bearing lifetime:                   | 3.0 x 10 <sup>9</sup> revolutions |
| Max. angular acceleration:          | 500,000 rad/s <sup>2</sup>        |
| Type of mounting shaft:             | Solid shaft                       |
| :                                   | Servo flange                      |

<sup>1)</sup> Self warming of 3.3 K per 1000 revolutions/min when applying note working temperature range

## Electrical data

---

|  |   |
|--|---|
| Power consumption:                     | 0.5 W (without load)                        |
| Operating voltage range:               | 4.5 V DC ... 32 V DC                        |
| MTTFd: mean time to dangerous failure: | 250 a (EN ISO 13849-1) <sup>1)</sup>        |
| Connection type:                       | Cable, 8-wire, universal, 5 m <sup>2)</sup> |
| Code type:                             | Gray  |
| Code sequence:                         | CW/CCW, parameter adjustable                |
| Reverse polarity protection:           | 1   |

<sup>1)</sup> This product is a standard product and does not constitute a safety component as defined in the Machinery Directive.

Calculation based on nominal load of components, average ambient temperature 40°C, frequency of use 8760 h/a. All

electronic failures are considered hazardous. For more information, see document no. 8015532. <sup>2)</sup> The universal cable outlet is positioned in such a way, that it is possible to lay the cable in a radial or axial direction without kinking it

## Interfaces

---

|  |  |
|--|--|
| Electrical interface:                    | SSI/Gray                                 |
| Interface signals:                       | Clock +, Clock -, Data +, Data-          |
| Clock frequency:                         | 2 MHz <sup>1)</sup>                      |
| SET (electronic adjustment):             | H-active (L ≡ 0 - 1,5 V, H ≡ 2,0 - Us V) |
| CW/CCW (counting sequence when turning): | L-active (L ≡ 0 - 1,5 V, H ≡ 2,0 - Us V) |

<sup>1)</sup>

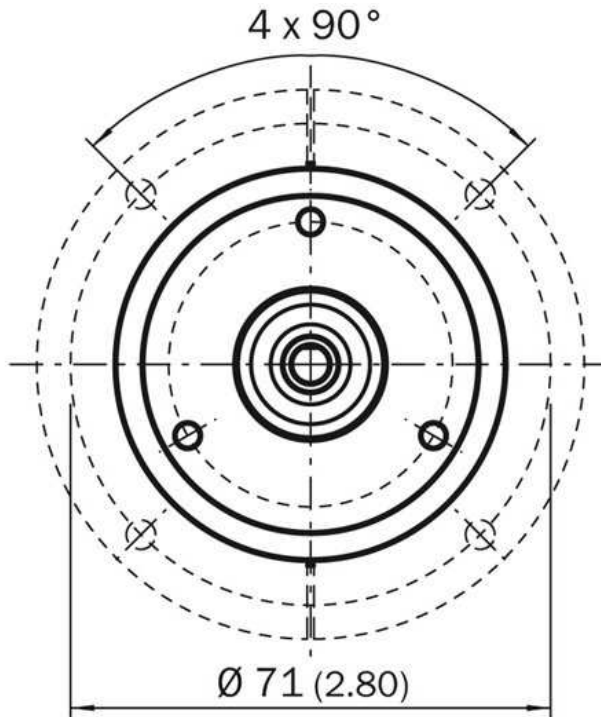
## Ambient data

---

|                                |  |
|--------------------------------|--|
| EMC:                           | (according to EN 61000-6-2 and EN 61000-6-3) <sup>1)</sup>                               |
| Enclosure rating:              | IP 65 (according to IEC 60529), shaft side, IP 67 (according to IEC 60529), housing side |
| Permissible relative humidity: | 90 % (condensation of the optical scanning not permitted)                                |
| Working temperature range:     | -30 °C ... 100 °C  |
| Storage temperature range:     | -40 °C ... 100 °C, without package   |
| Resistance to shocks:          | 70 g, 6 ms (according to EN 60068-2-27)  |
| Resistance to vibration:       | 30 g, 10 Hz ... 2,000 Hz (according to EN 60068-2-6)                                     |

<sup>1)</sup>

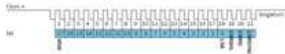
## Dimensional drawing



[1] Cable diameter = 5,6 mm  
+/- 2 mm Bending radius = 30 mm

## Signalausgänge

### SSI data format singleturn



#### Bit 1-16: Position Bits

- LSB: Least significant Bit
- MSB: Most significant Bit

#### Bit 17-19: Error Bits

- ERRDIO: Failure message about speed. If this failure occurs during the position building procedure it will be indicated by the ERRDIO-Bit.
- ERRSL: Light source monitoring failure.
- ERRSYNC: Contamination of the disc or scanning system. During the determination of the position, an error has occurred since the last SSI transmission. The error bit will be deleted during the next data transmission.

#### The evaluation of the error bits has to be realized in the PLC.

The provided error bits don't have to be used by the PLC compulsorily.

#### Example

If the resolution of the absolute encoder is set on 13 bits, 16 bits are provided by the encoder: 13 data bits and 3 error bits. If the PLC is not able to evaluate the error bits, the PLC has to be set on a resolution of 13 bits. Then the error bits have to be masked out by the PLC.

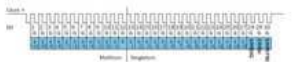
### SSI data format multiturn

#### 30 Bits



Bit 1-12: Position Bits multiturn  
Bit 13-24: Position Bits singleturn  
Bit 25-30: Error Bits

#### 27 Bits



Bit 1-12: Position Bits multiturn  
Bit 13-24: Position Bits singleturn  
Bit 25-27: Error Bits

#### Error Bits

- ERRDIO: Failure message about speed. If this failure occurs during the position building procedure it will be indicated by the ERRDIO-Bit.
- ERRSL: Light source monitoring failure.
- ERRSYNC: Contamination of the disc or scanning system. During the determination of the position, an error has occurred since the last SSI transmission. The error bit will be deleted during the next data transmission.

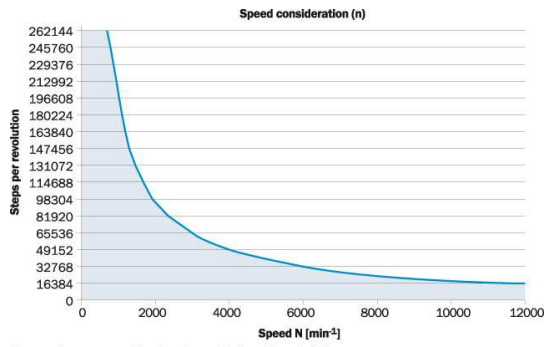
#### The evaluation of the error bits has to be realized in the PLC.

The provided error bits don't have to be used by the PLC compulsorily. The multiturn resolution is fixed on 12 bits.

#### Example

If the resolution of the absolute encoder is set on 27 bits, 30 bits are provided by the encoder: 27 data bits and 3 error bits. If the PLC is not able to evaluate the error bits, the PLC has to be set on a resolution of 27 bits. Then the error bits have to be masked out by the PLC.

## Drehzahlbetrachtung



The maximum speed is also dependent on the shaft type.

## Interfaces



## Signalausgänge



**Australia**

Phone +61 3 9457 0600  
1800 33 48 02 – tollfree  
E-Mail sales@sick.com.au

**Belgium/Luxembourg**

Phone +32 (0)2 466 55 66  
E-Mail info@sick.be

**Brasil**

Phone +55 11 3215-4900  
E-Mail marketing@sick.com.br

**Canada**

Phone +1 905 771 14 44  
E-Mail information@sick.com

**Česká republika**

Phone +420 2 57 91 18 50  
E-Mail sick@sick.cz

**China**

Phone +86 4000 121 000  
E-Mail info.china@sick.net.cn  
Phone +852-2153 6300  
E-Mail ghk@sick.com.hk

**Danmark**

Phone +45 45 82 64 00  
E-Mail sick@sick.dk

**Deutschland**

Phone +49 211 5301-301  
E-Mail info@sick.de

**España**

Phone +34 93 480 31 00  
E-Mail info@sick.es

**France**

Phone +33 1 64 62 35 00  
E-Mail info@sick.fr

**Great Britain**

Phone +44 (0)1727 831121  
E-Mail info@sick.co.uk

**India**

Phone +91-22-4033 8333  
E-Mail info@sick-india.com

**Israel**

Phone +972-4-6881000  
E-Mail info@sick-sensors.com

**Italia**

Phone +39 02 27 43 41  
E-Mail info@sick.it

**Japan**

Phone +81 (0)3 5309 2112  
E-Mail support@sick.jp

**Magyarország**

Phone +36 1 371 2680  
E-Mail office@sick.hu

**Nederland**

Phone +31 (0)30 229 25 44  
E-Mail info@sick.nl

**Norge**

Phone +47 67 81 50 00  
E-Mail sick@sick.no

**Österreich**

Phone +43 (0)22 36 62 28 8-0  
E-Mail office@sick.at

**Polska**

Phone +48 22 837 40 50  
E-Mail info@sick.pl

**România**

Phone +40 356 171 120  
E-Mail office@sick.ro

**Russia**

Phone +7-495-775-05-30  
E-Mail info@sick.ru

**Schweiz**

Phone +41 41 619 29 39  
E-Mail contact@sick.ch

**Singapore**

Phone +65 6744 3732  
E-Mail sales.gsg@sick.com

**Slovenija**

Phone +386 (0)1-47 69 990  
E-Mail office@sick.si

**South Africa**

Phone +27 11 472 3733  
E-Mail info@sickautomation.co.za

**South Korea**

Phone +82 2 786 6321/4  
E-Mail info@sickkorea.net

**Suomi**

Phone +358-9-25 15 800  
E-Mail sick@sick.fi

**Sverige**

Phone +46 10 110 10 00  
E-Mail info@sick.se

**Taiwan**

Phone +886 2 2375-6288  
E-Mail sales@sick.com.tw

**Türkiye**

Phone +90 (216) 528 50 00  
E-Mail info@sick.com.tr

**United Arab Emirates**

Phone +971 (0) 4 88 65 878  
E-Mail info@sick.ae

**USA/México**

Phone +1(952) 941-6780  
1 (800) 325-7425 – tollfree  
E-Mail info@sickusa.com

More representatives and agencies  
at [www.sick.com](http://www.sick.com)