



Magnetic proximity sensors Cylindrical threaded housing, MM18

MM18-70APS-ZUK



Model Name > [MM18-70APS-ZUK](#)
Part No. > [1040029](#)



At a glance

- Detection of magnets
- Operating distances up to 70 mm; Advanced series up to 120 mm or more based on the magnet strength
- Short-circuit, reverse polarity and power-up pulse suppression protection
- Robust nickel-plated brass housing with fine thread M18 x 1 mm
- IP 67 enclosure rating
- PNP or NPN output
- High switching frequency
- LED status indicator

Your benefits

- Non-contact operation eliminates interference from dirt, dust and vibrations, increasing sensor life and reducing maintenance costs
- Space-saving installation due to small design
- Large operating distances with reliable switching increase throughput
- Non-contact, universal detection through several substances, including plastic containers and pipes protective PTFE walls and non-magnetic metal walls



Features

| | |
|---------------------------|----------------------------------|
| Thread size: | M18 x 1 |
| Design: | Cylindrical |
| Sensing range Sn: | 70 mm ¹⁾ |
| Assured sensing range Sa: | 56.7 mm |
| Magnetic sensitivity: | 0.7 mT |
| Switching frequency: | 1,000 Hz |
| Output type: | PNP |
| Output function: | NO |
| Electrical wiring: | DC 3-wire |
| Enclosure rating: | IP 67 ²⁾ |
| Magnetic alignment: | Axial |
| Connection type: | Cable, 3-wire, 2 m ³⁾ |
| Housing: | Standard |

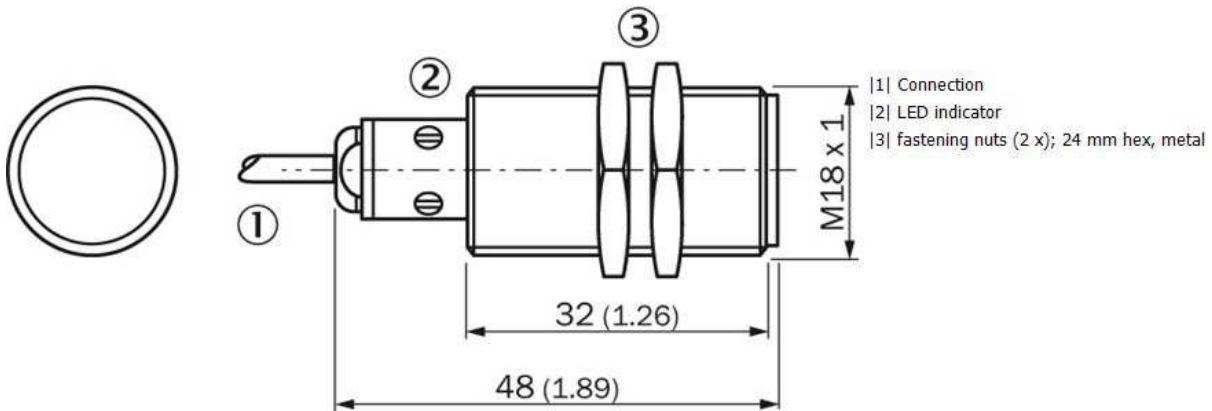
¹⁾ Sensing range based on installation in non-magnetic material using Magnet MAG-3010-B (M4.0) ²⁾ According to EN 60529 ³⁾ Do not bend below 0 °C

Mechanics/electronics

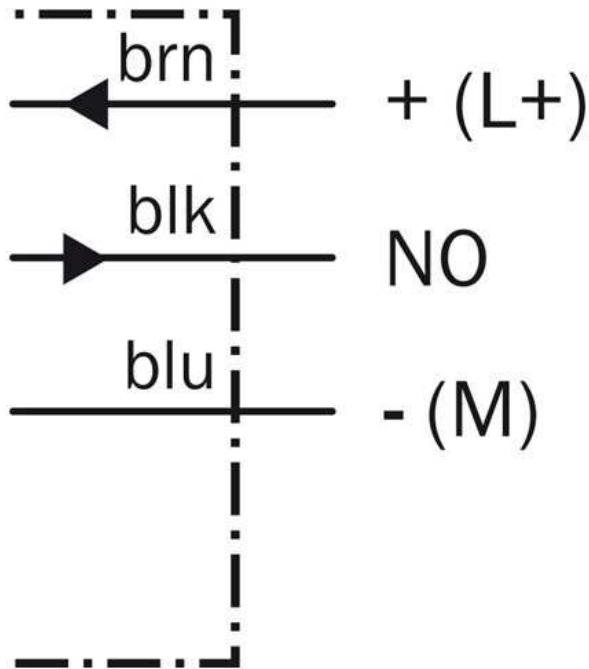
| | |
|--|-----------------------------------|
| Housing length: | 48 mm |
| Supply voltage: | 10 V DC ... 30 V DC |
| Ripple: | $\leq 10\%$ ¹⁾ |
| Power consumption: | $\leq 10\text{ mA}$ ²⁾ |
| Voltage drop: | $\leq 2\text{ V}$ ³⁾ |
| Output current I _a : | $\leq 200\text{ mA}$ |
| Hysteresis: | 1 % ... 10 % |
| Repeatability: | $\leq 1\%$ ⁴⁾ |
| Temperature drift (of Sr): | $\pm 10\%$ |
| EMC: | According to EN 60947-5-2 |
| Tightening torque, max.: | 40 Nm |
| Reverse polarity protection: | ✓ |
| Short-circuit protection ⁵⁾ : | ✓ |
| Housing material: | Metal, Nickel-plated brass |
| Special feature: | Short version |
| Power-up pulse protection: | ✓ |
| Time delay before availability: | $\leq 20\text{ ms}$ |
| Ambient operating temperature: | -25 °C ... 75 °C |
| Shock and vibration resistance: | 30 g, 11 ms/10 ... 55 Hz, 1 mm |
| Cable material: | PUR/PVC |
| Wire-break protection: | 0 |
| Items supplied: | Fastening nuts (2 x) |

1) Of V_S 2) Without load 3) At I_a max 4) Von Sr (VS und Ta constant) 5) Pulsed

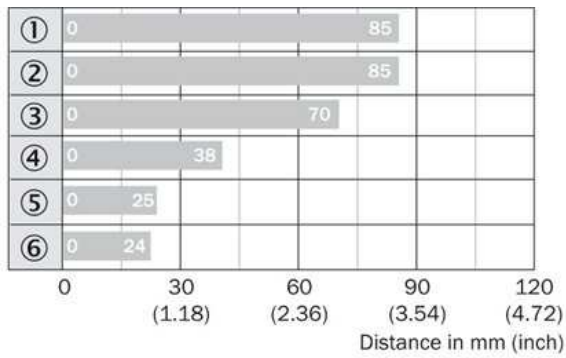
Dimensional drawing



Connection diagram



Operating distance



■ Max. sensing range S_n , flush or non-flush installation, non-magnetizable material

| Magnet type | Part no. |
|----------------------|----------|
| ① MAG-3315-B (M 5.1) | 7902086 |
| ② MAG-3015-B (M 5.0) | 7901786 |
| ③ MAG-3010-B (M 4.0) | 7901785 |
| ④ MAG-2006-B (M 3.0) | 7901784 |
| ⑤ MAG-0625-A (M 2.0) | 7901783 |
| ⑥ MAG-1003-S (M 1.0) | 7901782 |

Australia

Phone +61 3 9457 0600
1800 33 48 02 – tollfree
E-Mail sales@sick.com.au

Belgium/Luxembourg

Phone +32 (0)2 466 55 66
E-Mail info@sick.be

Brasil

Phone +55 11 3215-4900
E-Mail marketing@sick.com.br

Canada

Phone +1 905 771 14 44
E-Mail information@sick.com

Česká republika

Phone +420 2 57 91 18 50
E-Mail sick@sick.cz

China

Phone +86 4000 121 000
E-Mail info.china@sick.net.cn
Phone +852-2153 6300
E-Mail ghk@sick.com.hk

Danmark

Phone +45 45 82 64 00
E-Mail sick@sick.dk

Deutschland

Phone +49 211 5301-301
E-Mail info@sick.de

España

Phone +34 93 480 31 00
E-Mail info@sick.es

France

Phone +33 1 64 62 35 00
E-Mail info@sick.fr

Great Britain

Phone +44 (0)1727 831121
E-Mail info@sick.co.uk

India

Phone +91-22-4033 8333
E-Mail info@sick-india.com

Israel

Phone +972-4-6881000
E-Mail info@sick-sensors.com

Italia

Phone +39 02 27 43 41
E-Mail info@sick.it

Japan

Phone +81 (0)3 5309 2112
E-Mail support@sick.jp

Magyarország

Phone +36 1 371 2680
E-Mail office@sick.hu

Nederland

Phone +31 (0)30 229 25 44
E-Mail info@sick.nl

Norge

Phone +47 67 81 50 00
E-Mail sick@sick.no

Österreich

Phone +43 (0)22 36 62 28 8-0
E-Mail office@sick.at

Polska

Phone +48 22 837 40 50
E-Mail info@sick.pl

România

Phone +40 356 171 120
E-Mail office@sick.ro

Russia

Phone +7-495-775-05-30
E-Mail info@sick.ru

Schweiz

Phone +41 41 619 29 39
E-Mail contact@sick.ch

Singapore

Phone +65 6744 3732
E-Mail sales.gsg@sick.com

Slovenija

Phone +386 (0)1-47 69 990
E-Mail office@sick.si

South Africa

Phone +27 11 472 3733
E-Mail info@sickautomation.co.za

South Korea

Phone +82 2 786 6321/4
E-Mail info@sickkorea.net

Suomi

Phone +358-9-25 15 800
E-Mail sick@sick.fi

Sverige

Phone +46 10 110 10 00
E-Mail info@sick.se

Taiwan

Phone +886 2 2375-6288
E-Mail sales@sick.com.tw

Türkiye

Phone +90 (216) 528 50 00
E-Mail info@sick.com.tr

United Arab Emirates

Phone +971 (0) 4 88 65 878
E-Mail info@sick.ae

USA/México

Phone +1(952) 941-6780
1 (800) 325-7425 – tollfree
E-Mail info@sickusa.com

More representatives and agencies
at www.sick.com