



Magnetic proximity sensors
Cylindrical threaded housing, MM12

MM12-60APS-ZCK



Model Name > **MM12-60APS-ZCK**
Part No. > **1040070**



At a glance

- Detection of magnets
- Operating distances up to 90 mm or more based on the magnet strength
- High switching frequency
- Short-circuit, reverse polarity and power-up pulse suppression protection
- Robust nickel-plated brass housing with fine thread M12 x 1 mm
- IP 67 enclosure rating
- Cylindrical design
- PNP or NPN output

Your benefits

- Non-contact operation eliminates interference from dirt, dust and vibrations, increasing sensor life and reducing maintenance costs
- Space-saving installation due to small design
- Large operating ranges with reliable switching increase throughput
- Non-contact, universal detection through several substances, including plastic containers and pipes protective PTFE walls and non-magnetic metal walls



Features

Thread size:	M12 x 1
Design:	Cylindrical
Sensing range Sn:	60 mm ¹⁾
Assured sensing range Sa:	48.6 mm
Magnetic sensitivity:	1 mT
Switching frequency:	1,000 Hz
Output type:	PNP
Output function:	NO
Electrical wiring:	DC 3-wire
Enclosure rating:	IP 67 ²⁾
Magnetic alignment:	Axial
Connection type:	Connector M12, 4-pin
Housing:	Standard

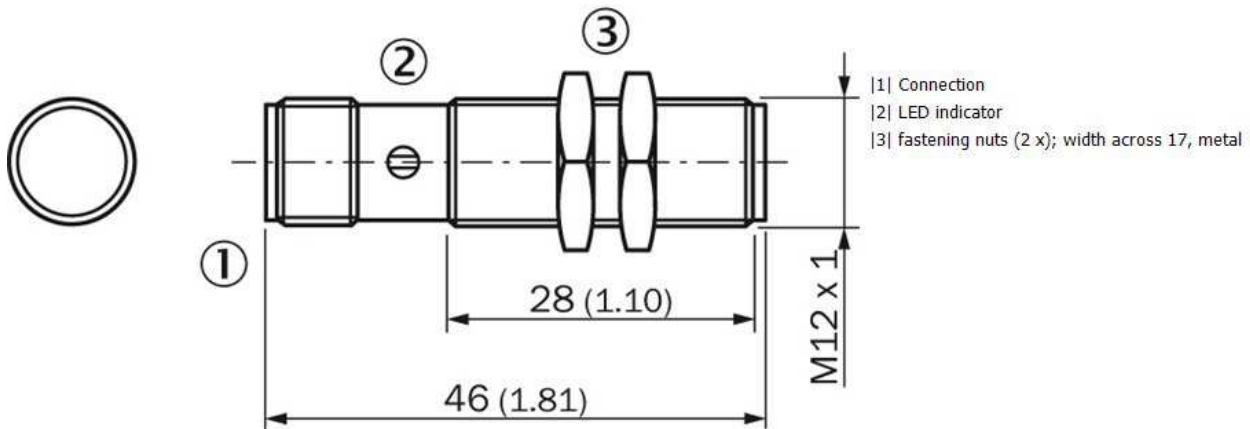
¹⁾ Sensing range based on installation in non-magnetic material using Magnet MAG-3010-B (M4.0) ²⁾ According to EN 60529

Mechanics/electronics

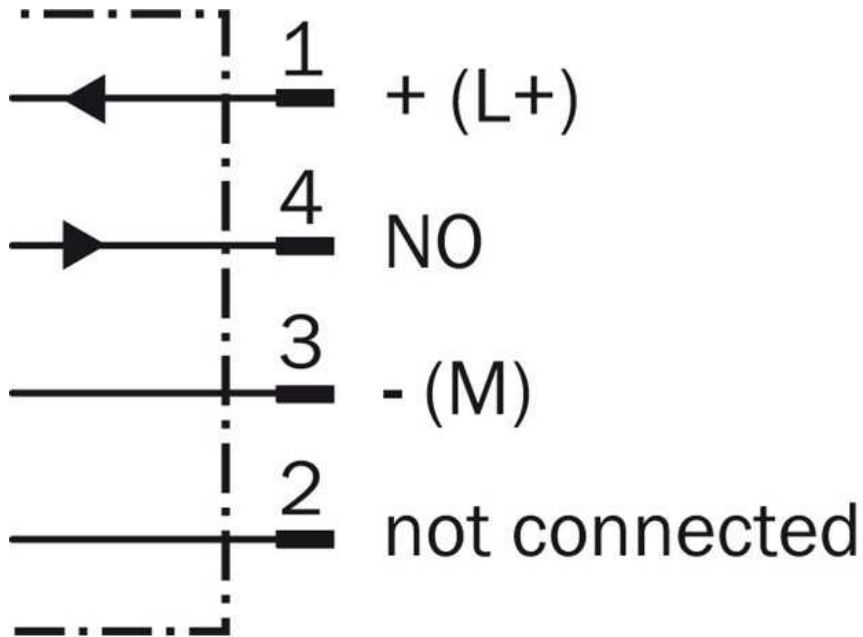
Housing length:	46 mm
Supply voltage:	10 V DC ... 30 V DC
Ripple:	$\leq 10\%$ ¹⁾
Power consumption:	$\leq 10\text{ mA}$ ²⁾
Voltage drop:	$\leq 2\text{ V}$ ³⁾
Output current I_a :	$\leq 200\text{ mA}$
Hysteresis:	1 % ... 10 %
Repeatability:	$\leq 1\%$ ⁴⁾
Temperature drift (of Sr):	$\pm 10\%$
EMC:	According to EN 60947-5-2
Tightening torque, max.:	15 Nm
Reverse polarity protection:	✓
Short-circuit protection ⁵⁾ :	✓
Housing material:	Metal, Nickel-plated brass
Special feature:	Short version
Power-up pulse protection:	✓
Time delay before availability:	$\leq 20\text{ ms}$
Ambient operating temperature:	-25 °C ... +75 °C
Shock and vibration resistance:	30 g, 11 ms/10 ... 55 Hz, 1 mm
Wire-break protection:	0
Items supplied:	Fastening nuts (2 x)

1) Of V_S 2) Without load 3) At I_a max 4) Von Sr (VS und Ta constant) 5) Pulsed

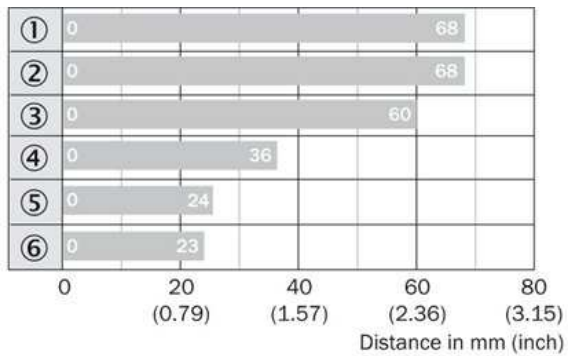
Dimensional drawing



Connection diagram



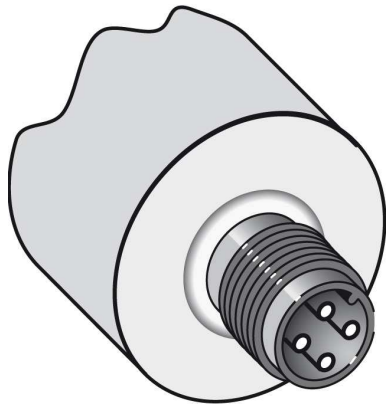
Operating distance



■ Max. sensing range S_n , flush or non-flush installation, non-magnetizable material

Magnet type	Part no.
① MAG-3315-B (M 5.1)	7902086
② MAG-3015-B (M 5.0)	7901786
③ MAG-3010-B (M 4.0)	7901785
④ MAG-2006-B (M 3.0)	7901784
⑤ MAG-0625-A (M 2.0)	7901783
⑥ MAG-1003-S (M 1.0)	7901782

Connection type



Australia

Phone +61 3 9457 0600
1800 33 48 02 – tollfree
E-Mail sales@sick.com.au

Belgium/Luxembourg

Phone +32 (0)2 466 55 66
E-Mail info@sick.be

Brasil

Phone +55 11 3215-4900
E-Mail marketing@sick.com.br

Canada

Phone +1 905 771 14 44
E-Mail information@sick.com

Česká republika

Phone +420 2 57 91 18 50
E-Mail sick@sick.cz

China

Phone +86 4000 121 000
E-Mail info.china@sick.net.cn
Phone +852-2153 6300
E-Mail ghk@sick.com.hk

Danmark

Phone +45 45 82 64 00
E-Mail sick@sick.dk

Deutschland

Phone +49 211 5301-301
E-Mail info@sick.de

España

Phone +34 93 480 31 00
E-Mail info@sick.es

France

Phone +33 1 64 62 35 00
E-Mail info@sick.fr

Great Britain

Phone +44 (0)1727 831121
E-Mail info@sick.co.uk

India

Phone +91-22-4033 8333
E-Mail info@sick-india.com

Israel

Phone +972-4-6881000
E-Mail info@sick-sensors.com

Italia

Phone +39 02 27 43 41
E-Mail info@sick.it

Japan

Phone +81 (0)3 5309 2112
E-Mail support@sick.jp

Magyarország

Phone +36 1 371 2680
E-Mail office@sick.hu

Nederland

Phone +31 (0)30 229 25 44
E-Mail info@sick.nl

Norge

Phone +47 67 81 50 00
E-Mail sick@sick.no

Österreich

Phone +43 (0)22 36 62 28 8-0
E-Mail office@sick.at

Polska

Phone +48 22 837 40 50
E-Mail info@sick.pl

România

Phone +40 356 171 120
E-Mail office@sick.ro

Russia

Phone +7-495-775-05-30
E-Mail info@sick.ru

Schweiz

Phone +41 41 619 29 39
E-Mail contact@sick.ch

Singapore

Phone +65 6744 3732
E-Mail sales.gsg@sick.com

Slovenija

Phone +386 (0)1-47 69 990
E-Mail office@sick.si

South Africa

Phone +27 11 472 3733
E-Mail info@sickautomation.co.za

South Korea

Phone +82 2 786 6321/4
E-Mail info@sickkorea.net

Suomi

Phone +358-9-25 15 800
E-Mail sick@sick.fi

Sverige

Phone +46 10 110 10 00
E-Mail info@sick.se

Taiwan

Phone +886 2 2375-6288
E-Mail sales@sick.com.tw

Türkiye

Phone +90 (216) 528 50 00
E-Mail info@sick.com.tr

United Arab Emirates

Phone +971 (0) 4 88 65 878
E-Mail info@sick.ae

USA/México

Phone +1(952) 941-6780
1 (800) 325-7425 – tollfree
E-Mail info@sickusa.com

More representatives and agencies
at www.sick.com