



Laser scanners  
LMS1xx / LMS10x / Indoor

LMS100-10000



**Model Name** > [LMS100-10000](#)  
**Part No.** > [1041113](#)

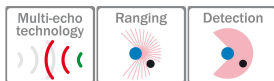


#### At a glance

- Efficient and cost-effective 2D laser scanner for measuring ranges of up to 50 m
- Outstanding performance whatever the weather, thanks to multi-echo technology and intelligent algorithms
- Rugged, compact housing with enclosure rating up to IP 67, integrated heating and a temperature range from -40°C and +60°C
- Variants for security applications with relay outputs and VdS certification available
- Measurement data output via Ethernet interface in real time
- Number of switching outputs can be expanded via external CAN modules

#### Your benefits

- Straightforward integration and mounting due to compact design
- Low purchase and operating costs: One device can monitor areas of over 5,500 m<sup>2</sup> in size
- Product family with many variants, which also provide solutions for demanding and specialized applications
- Extended filter options significantly reduce measurement errors caused by conditions such as fog, rain or snow
- Optional CAN I/O module increases number of switching outputs for greater application flexibility
- Ethernet interface enables straightforward implementation and remote maintenance



#### Features

Field of application:	Indoor
Light source:	Infrared (905 nm)
Laser class:	1 (IEC 60825-1 (2007-3))
Field of view:	270 °
Scanning frequency:	25 Hz/50 Hz
Angular resolution:	0.25 ° 0.5 °
Operating range:	0.5 m ... 20 m
Max. range with 10 % reflectivity:	18 m
Amount of evaluated echoes:	2
Fog correction:	Yes

#### Performance

Response time:	≥ 20 ms
Detectable object shape:	Almost any
Systematic error <sup>1)</sup> :	± 30 mm
Statistical error <sup>2)</sup> :	± 12 mm
Integrated application:	Field evaluation
Number of field sets:	10 fields
Simultaneous processing cases:	10

1) 2) Typical value; actual value depends on environmental conditions.

## Interfaces

---

Serial (RS-232):	✓
Function (Serial (RS-232)):	Host, AUX
Data transmission rate (Serial (RS-232)):	9.6 kBaud ... 115.2 kBaud
Ethernet:	✓
Function (Ethernet):	Host
Data transmission rate (Ethernet):	10/100 Mbit
Protocol (Ethernet):	TCP/IP, OPC
CAN bus:	✓
Function (CAN bus):	Outputs extension
PROFIBUS DP:	-
PROFINET:	-
DeviceNet:	-
Switching inputs:	2
Switching outputs:	3
Optical indicators:	1 7-segment display (plus 5 LEDs showing device status, contamination warning and initial condition)

## Mechanics/electronics

---

Electrical connection:	1 x system plug with screw terminal block
Operating voltage:	10.8 V DC ... 30 V DC
Power consumption:	20 W
Housing color:	Light blue (RAL 5012)
Enclosure rating:	IP 65 (EN 60529, Section 14.2.5)
Protection class:	III (EN 50178 (1997;10))
Weight:	1.1 kg, without connecting cables
Dimensions:	105 mm x 102 mm x 152 mm

## Ambient data

---

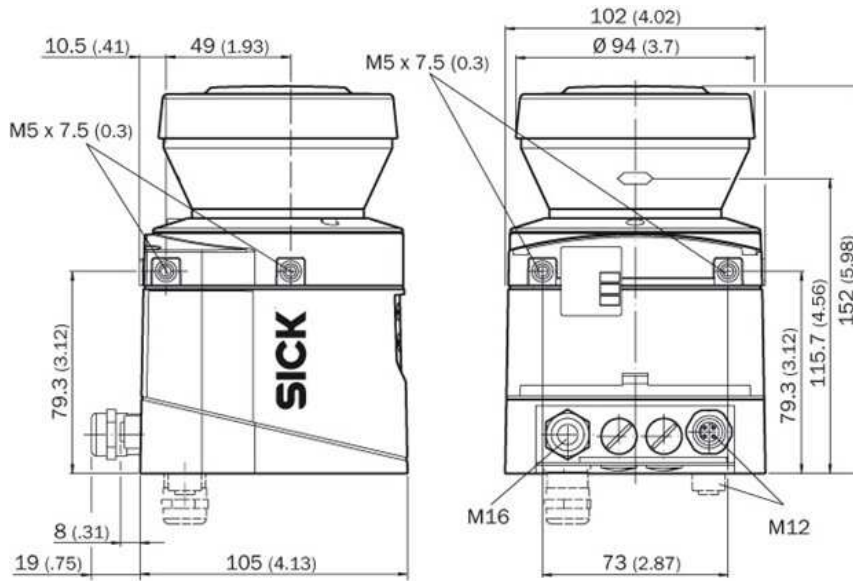
Object remission:	2 % ... > 1,000 % (reflectors)
Electromagnetic compatibility (EMC):	EN 61000-6-2:2005/EN 61000-6-4 (2007-01)
Vibration resistance:	EN 60068-2-6 (1995-04)
Shock resistance:	EN 60068-2-27 (1993-03)
Ambient operating temperature:	0 °C ... +50 °C
Storage temperature:	-30 °C ... +70 °C
Ambient light immunity:	40,000 lx

## General notes

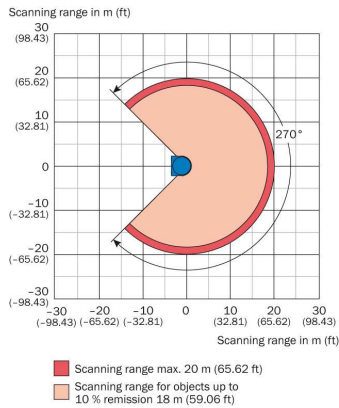
---

Note on use:	Not suitable for personnel protection
--------------	---------------------------------------

## Dimensional drawing



## Operating range diagram



**Australia**

Phone +61 3 9457 0600  
1800 33 48 02 – tollfree  
E-Mail sales@sick.com.au

**Belgium/Luxembourg**

Phone +32 (0)2 466 55 66  
E-Mail info@sick.be

**Brasil**

Phone +55 11 3215-4900  
E-Mail marketing@sick.com.br

**Canada**

Phone +1 905 771 14 44  
E-Mail information@sick.com

**Česká republika**

Phone +420 2 57 91 18 50  
E-Mail sick@sick.cz

**China**

Phone +86 4000 121 000  
E-Mail info.china@sick.net.cn  
Phone +852-2153 6300  
E-Mail ghk@sick.com.hk

**Danmark**

Phone +45 45 82 64 00  
E-Mail sick@sick.dk

**Deutschland**

Phone +49 211 5301-301  
E-Mail info@sick.de

**España**

Phone +34 93 480 31 00  
E-Mail info@sick.es

**France**

Phone +33 1 64 62 35 00  
E-Mail info@sick.fr

**Great Britain**

Phone +44 (0)1727 831121  
E-Mail info@sick.co.uk

**India**

Phone +91-22-4033 8333  
E-Mail info@sick-india.com

**Israel**

Phone +972-4-6881000  
E-Mail info@sick-sensors.com

**Italia**

Phone +39 02 27 43 41  
E-Mail info@sick.it

**Japan**

Phone +81 (0)3 5309 2112  
E-Mail support@sick.jp

**Magyarország**

Phone +36 1 371 2680  
E-Mail office@sick.hu

**Nederland**

Phone +31 (0)30 229 25 44  
E-Mail info@sick.nl

**Norge**

Phone +47 67 81 50 00  
E-Mail sick@sick.no

**Österreich**

Phone +43 (0)22 36 62 28 8-0  
E-Mail office@sick.at

**Polska**

Phone +48 22 837 40 50  
E-Mail info@sick.pl

**România**

Phone +40 356 171 120  
E-Mail office@sick.ro

**Russia**

Phone +7-495-775-05-30  
E-Mail info@sick.ru

**Schweiz**

Phone +41 41 619 29 39  
E-Mail contact@sick.ch

**Singapore**

Phone +65 6744 3732  
E-Mail sales.gsg@sick.com

**Slovenija**

Phone +386 (0)1-47 69 990  
E-Mail office@sick.si

**South Africa**

Phone +27 11 472 3733  
E-Mail info@sickautomation.co.za

**South Korea**

Phone +82 2 786 6321/4  
E-Mail info@sickkorea.net

**Suomi**

Phone +358-9-25 15 800  
E-Mail sick@sick.fi

**Sverige**

Phone +46 10 110 10 00  
E-Mail info@sick.se

**Taiwan**

Phone +886 2 2375-6288  
E-Mail sales@sick.com.tw

**Türkiye**

Phone +90 (216) 528 50 00  
E-Mail info@sick.com.tr

**United Arab Emirates**

Phone +971 (0) 4 88 65 878  
E-Mail info@sick.ae

**USA/México**

Phone +1(952) 941-6780  
1 (800) 325-7425 – tollfree  
E-Mail info@sickusa.com

More representatives and agencies  
at [www.sick.com](http://www.sick.com)