



Laser scanners
LMS1xx / LMS11x / Outdoor

LMS111-10100



Model Name > [LMS111-10100](#)
Part No. > [1041114](#)

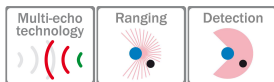


At a glance

- Economical measurement sensor
- Real-time output of measurement data via Ethernet interface
- Field evaluation using intelligent algorithms and programmable applications
- Number of switching outputs can be expanded via external CAN modules
- Parameter setting interface is accessible from the front while the device is mounted
- Rugged IP 67-rated housing
- Integrated heater

Your benefits

- Straightforward integration and mounting due to compact design
- Low purchase and operating costs: One device can monitor areas of over 5,500 m² in size
- Product family with many variants, which also provide solutions for demanding and specialized applications
- Extended filter options significantly reduce measurement errors caused by conditions such as fog, rain or snow
- Optional CAN I/O module increases number of switching outputs for greater application flexibility
- Ethernet interface enables straightforward implementation and remote maintenance



Features

Field of application:	Outdoor
Light source:	Infrared (905 nm)
Laser class:	1 (IEC 60825-1 (2007-3))
Field of view:	270 °
Scanning frequency:	25 Hz/50 Hz
Angular resolution:	0.25 ° 0.5 °
Heating:	Yes
Operating range:	0.5 m ... 20 m
Max. range with 10 % reflectivity:	18 m
Amount of evaluated echoes:	2
Fog correction:	Yes

Performance

Response time:	≥ 20 ms
Detectable object shape:	Almost any
Systematic error ¹⁾ :	± 30 mm
Statistical error ²⁾ :	± 12 mm
Integrated application:	Field evaluation
Number of field sets:	10 fields
Simultaneous processing cases:	10

1) 2) Typical value; actual value depends on environmental conditions.

Interfaces

Serial (RS-232):	✓
Function (Serial (RS-232)):	Host, AUX
Data transmission rate (Serial (RS-232)):	9.6 kBaud ... 115.2 kBaud
Ethernet:	✓
Function (Ethernet):	Host
Data transmission rate (Ethernet):	10/100 Mbit
Protocol (Ethernet):	TCP/IP, OPC
CAN bus:	✓
Function (CAN bus):	Outputs extension
PROFIBUS DP:	-
PROFINET:	-
DeviceNet:	-
Switching inputs:	2
Switching outputs:	3
Optical indicators:	1 7-segment display (plus 5 LEDs showing device status, contamination warning and initial condition)

Mechanics/electronics

Electrical connection:	1 x M12 circular plug-in connector
Operating voltage:	10.8 V DC ... 30 V DC
Power consumption:	60 W
Housing color:	Gray (RAL 7032)
Enclosure rating:	IP 67 (EN 60529, Section 14.2.7)
Protection class:	III (EN 50178 (1997;10))
Weight:	1.1 kg, without connecting cables
Dimensions:	105 mm x 102 mm x 162 mm

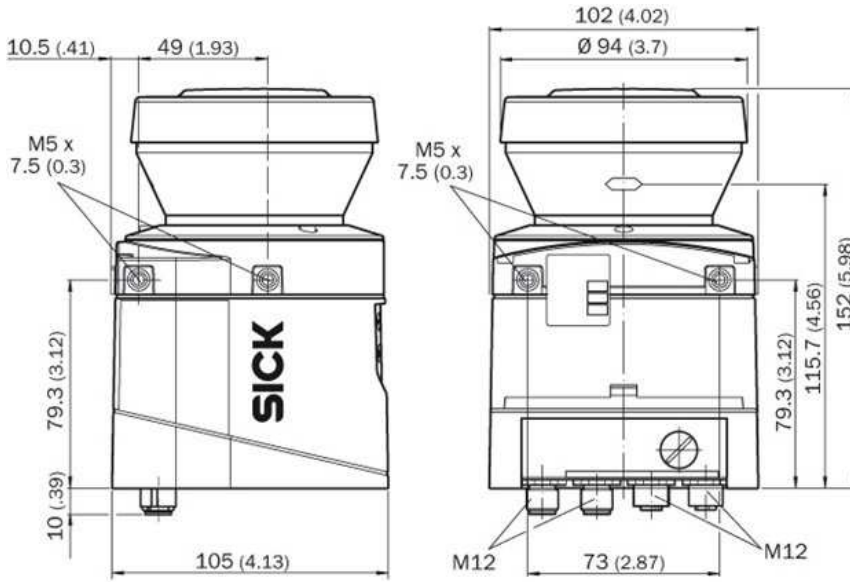
Ambient data

Object remission:	2 % ... > 1,000 % (reflectors)
Electromagnetic compatibility (EMC):	EN 61000-6-2:2005/EN 61000-6-4 (2007-01)
Vibration resistance:	EN 60068-2-6 (1995-04)
Shock resistance:	EN 60068-2-27 (1993-03)
Ambient operating temperature:	-30 °C ... +50 °C
Storage temperature:	-30 °C ... +70 °C
Ambient light immunity:	40,000 lx

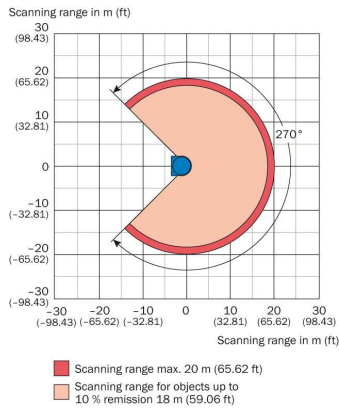
General notes

Note on use:	Not suitable for personnel protection
--------------	---------------------------------------

Dimensional drawing



Operating range diagram



Australia

Phone +61 3 9457 0600
1800 33 48 02 – tollfree
E-Mail sales@sick.com.au

Belgium/Luxembourg

Phone +32 (0)2 466 55 66
E-Mail info@sick.be

Brasil

Phone +55 11 3215-4900
E-Mail marketing@sick.com.br

Canada

Phone +1 905 771 14 44
E-Mail information@sick.com

Česká republika

Phone +420 2 57 91 18 50
E-Mail sick@sick.cz

China

Phone +86 4000 121 000
E-Mail info.china@sick.net.cn
Phone +852-2153 6300
E-Mail ghk@sick.com.hk

Danmark

Phone +45 45 82 64 00
E-Mail sick@sick.dk

Deutschland

Phone +49 211 5301-301
E-Mail info@sick.de

España

Phone +34 93 480 31 00
E-Mail info@sick.es

France

Phone +33 1 64 62 35 00
E-Mail info@sick.fr

Great Britain

Phone +44 (0)1727 831121
E-Mail info@sick.co.uk

India

Phone +91-22-4033 8333
E-Mail info@sick-india.com

Israel

Phone +972-4-6881000
E-Mail info@sick-sensors.com

Italia

Phone +39 02 27 43 41
E-Mail info@sick.it

Japan

Phone +81 (0)3 5309 2112
E-Mail support@sick.jp

Magyarország

Phone +36 1 371 2680
E-Mail office@sick.hu

Nederland

Phone +31 (0)30 229 25 44
E-Mail info@sick.nl

Norge

Phone +47 67 81 50 00
E-Mail sick@sick.no

Österreich

Phone +43 (0)22 36 62 28 8-0
E-Mail office@sick.at

Polska

Phone +48 22 837 40 50
E-Mail info@sick.pl

România

Phone +40 356 171 120
E-Mail office@sick.ro

Russia

Phone +7-495-775-05-30
E-Mail info@sick.ru

Schweiz

Phone +41 41 619 29 39
E-Mail contact@sick.ch

Singapore

Phone +65 6744 3732
E-Mail sales.gsg@sick.com

Slovenija

Phone +386 (0)1-47 69 990
E-Mail office@sick.si

South Africa

Phone +27 11 472 3733
E-Mail info@sickautomation.co.za

South Korea

Phone +82 2 786 6321/4
E-Mail info@sickkorea.net

Suomi

Phone +358-9-25 15 800
E-Mail sick@sick.fi

Sverige

Phone +46 10 110 10 00
E-Mail info@sick.se

Taiwan

Phone +886 2 2375-6288
E-Mail sales@sick.com.tw

Türkiye

Phone +90 (216) 528 50 00
E-Mail info@sick.com.tr

United Arab Emirates

Phone +971 (0) 4 88 65 878
E-Mail info@sick.ae

USA/México

Phone +1(952) 941-6780
1 (800) 325-7425 – tollfree
E-Mail info@sickusa.com

More representatives and agencies
at www.sick.com